

Edge of Arlington Saw & Tool, Inc.

124 South Collins

Arlington, TX 76010

Phone: 817-461-7171 • Fax: 817-795-6651

Toll Free: 888-461-7171

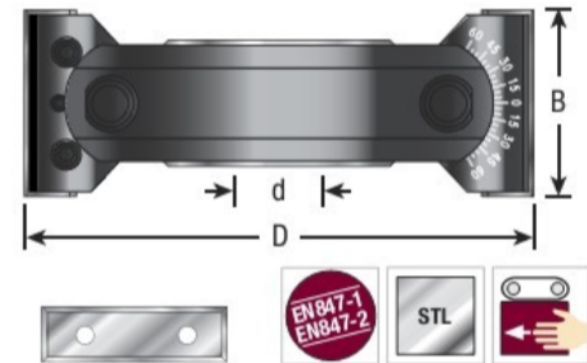
Email: info@eoasaw.com

Website: www.eoasaw.com



Amana Tool Adjustable Chamfer

Thank you for shopping with us! Cutterhead bodies available in hard wearing aluminum or steel, complete with tungsten carbide knives. Suitable for producing chamfer cuts at various angles in softwood, hardwood, and man-made boards on a spindle molder. Cutting angle can be adjusted in 7.5° increments by using



notched scale. Fine adjustment of 1° is also possible.

Item #	Manufacturer	Diameter	Bore	Cut Height, Length, or Width	Knives	Overall Length	RPM	Note	Price
61303	Amana Tool	4 11/32 in	1 1/4 in	1 1/2 in	RCK-40	4 11/32 in	7,000 to 9,000	--	\$341.73
61304	Amana Tool	4 3/4 in	1 1/4 in	1 1/2 in	RCK-40	4 3/4 in	6,000 to 8,500	Aluminum	\$215.71
61306	Amana Tool	5 1/8 in	1 1/4 in	2 in	ICK-50	5 1/8 in	5,000 to 8,500	--	\$404.62
61307	Amana Tool	5 7/8 in	1 1/4 in	2 in	ICK-50	5 7/8 in	5,100 to 7,400	--	\$420.63

61310	Amana Tool	6 1/4 in	1 1/4 in	2 in	ICK-50	6 1/4 in	4,800 to 6,000	Has special mechanism to enable fine tuning angle of 1 deg	\$469.56
61311	Amana Tool	6 11/16 in	1 1/4 in	2 in	ICK-60	6 11/16 in	4,500 to 6,000	Has special mechanism to enable fine tuning angle of 1 deg	\$470.24