

Edge of Arlington Saw & Tool, Inc.

124 South Collins

Arlington, TX 76010

Phone:817-461-7171 • Fax: 817-795-6651

Toll Free: 888-461-7171

Email: info@eoasaw.com

Website: www.eoasaw.com



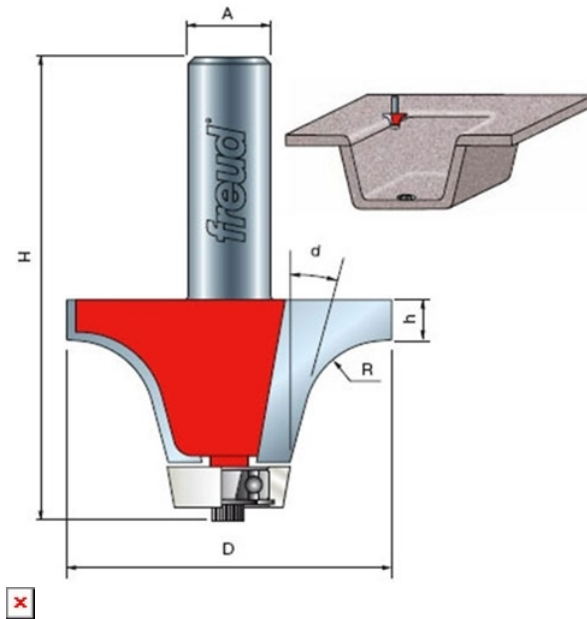
85-140

Freud Round Over Bowl Bits

Thank you for shopping with us!

Application: Trims joint between solid surface countertops and solid surface sink bowls with a smooth, rounded edge

- Specially formulated carbide is ideal for fabricating solid surface materials
- Features non-marring synthetic bearing to protect finished edges
- Cuts all solid surface materials
- Use in hand-held portable routers



Item #	Diameter	Angle	Cut Height, Length, or Width	Overall Length	Radius	Shank	Type	Usage/System	Price
85-140	2 1/8 in	20 deg	1 in	2 13/16 in	1/2 in	1/2 in	For Corian™ Bowls 802, 809, 810, 871	For Top Thickness 1/2 in	\$107.30
85-150	2 1/8 in	10 deg	7/8 in	2 3/4 in	3/8 in	1/2 in	For Avonite™, Corian™, Fountainhead™, Formica™ bowls. Transolid™ & Hi-Macs™ sinks	For Top Thickness 1/2 in	\$116.23
85-155	2 1/4 in	10 deg	7/8 in	2 51/64 in	1/2 in	1/2 in	For Avonite™, Corian™, Fountainhead™, Formica™ bowls. Transolid™ & Hi-Macs™ sinks	For Top Thickness 1/2 in	\$116.23
85-160	2 1/2 in	10 deg	1 1/8 in	3 3/64 in	1/2 in	1/2 in	For Avonite™, Corian™, Fountainhead™, Formica™ bowls. Transolid™ & Hi-Macs™ sinks	For Top Thickness 3/4 in	\$118.95
85-165	2 9/16 in	10 deg	1 1/4 in	3 1/8 in	3/4 in	1/2 in	For Avonite™, Corian™, Fountainhead™, Formica™ bowls. Transolid™ & Hi-Macs™ sinks	For Top Thickness 3/4 in	\$119.84
85-157	2 3/8 in	13 deg	7/8 in	2 51/64 in	1/2 in	1/2 in	For Gruber™, Royal Stone™, Transolid™ & Hi-Macs™ bowls	For Top Thickness 1/2 in	\$118.05
85-001	2 in	15 deg	1 in	2 7/8 in	1/2 in	1/2 in	For various bowls and sinks w/15™ angle	For Top Thickness 3/4 in	\$80.66
85-003	2 in	15 deg	1 1/4 in	3 1/8 in	1/2 in	1/2 in	For various bowls and sinks w/15™ angle	For Top Thickness 1 in	\$119.31