

## Edge of Arlington Saw & Tool, Inc.

124 South Collins

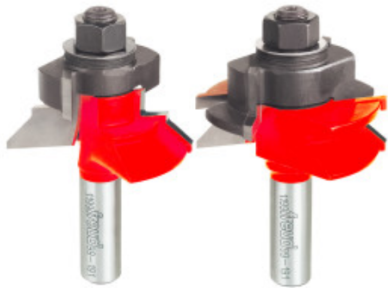
Arlington, TX 76010

Phone: 817-461-7171 • Fax: 817-795-6651

Toll Free: 888-461-7171

Email: [info@eoasaw.com](mailto:info@eoasaw.com)

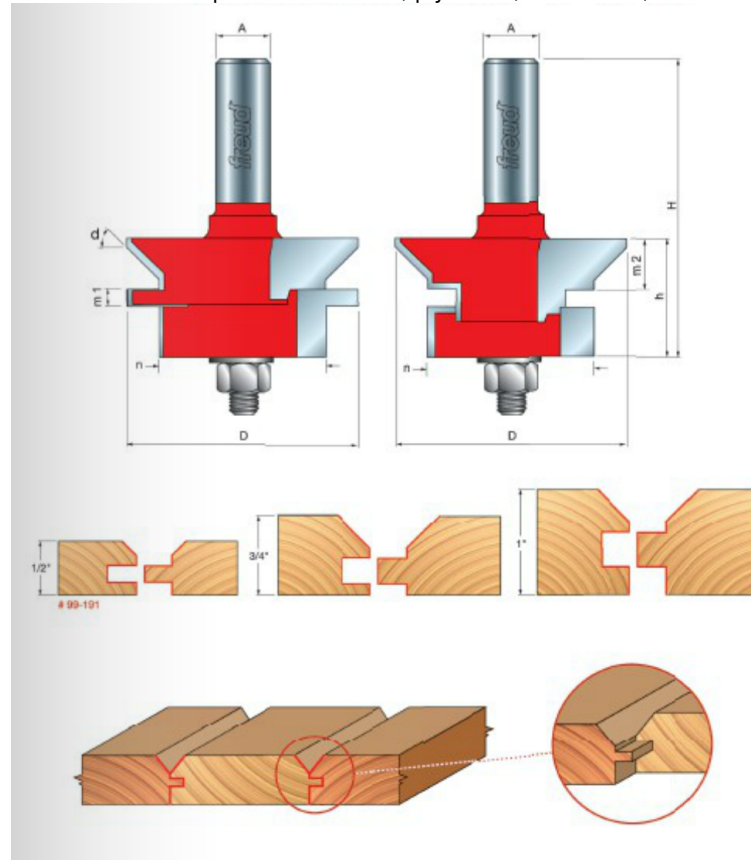
Website: [www.eoasaw.com](http://www.eoasaw.com)



### Freud "V" Panel Bit Set

Thank you for shopping with us!

Application: Creates attractive "V" groove paneling -Set includes spacers that allow you to produce "V" paneling from 1/2", 3/4", or 1" thick stock -Cuts all composition materials, plywoods, hardwoods, and softwoods -Use on table-mounted routers



Item #	Manufacturer	Diameter	Cut Height, Length, or Width	Minor Height	Overall Length	Shank	Small Diameter	Angle	Price
99-191	Freud Tools	2 11/64 in	1 1/8 in	5/32 in - 5/16 in(m1) 25/64 in(m2)	3 3/8 in	1/2 in	1 37/64 in	45 deg	<b>\$213.93</b>