

Edge of Arlington Saw & Tool, Inc.

124 South Collins

Arlington, TX 76010

Phone:817-461-7171 • Fax: 817-795-6651

Toll Free: 888-461-7171

Email: info@eoasaw.com

Website: www.eoasaw.com

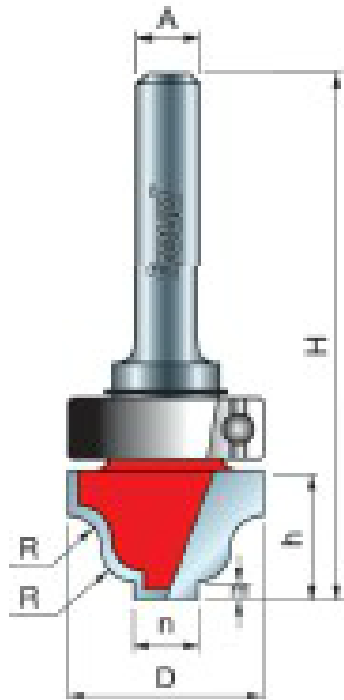


39-526

Freud Top Bearing Fillet Ogee Groove Bits

Thank you for shopping with us!

Application: Template work, decorative edges, and elaborate grooves -These bits produce a symmetrical ogee profile ending in a fillet. The flat bottom of the groove can create the illusion of panel construction, and they can also be used to create a decorative edge. -Cuts all composition materials, plywoods, hardwoods, and softwoods. -Use on hand-held and table-mounted portable routers.



Item #	Manufacturer	Diameter	Cut Height, Length, or Width	Small Diameter	Minor Height	Overall Length	Radius	Shank	Price
39-522	Freud Tools	3/4 in	1/2 in	1/4 in	5/32 in	2 3/16 in	1/8 in	1/4 in	\$39.50
39-524	Freud Tools	1 7/64 in	9/16 in	15/32 in	5/32 in	2 1/4 in	5/32 in	3/8 in	\$45.36