

Edge of Arlington Saw & Tool, Inc.

124 South Collins

Arlington, TX 76010

Phone: 817-461-7171 • Fax: 817-795-6651

Toll Free: 888-461-7171

Email: info@eoasaw.com

Website: www.eoasaw.com

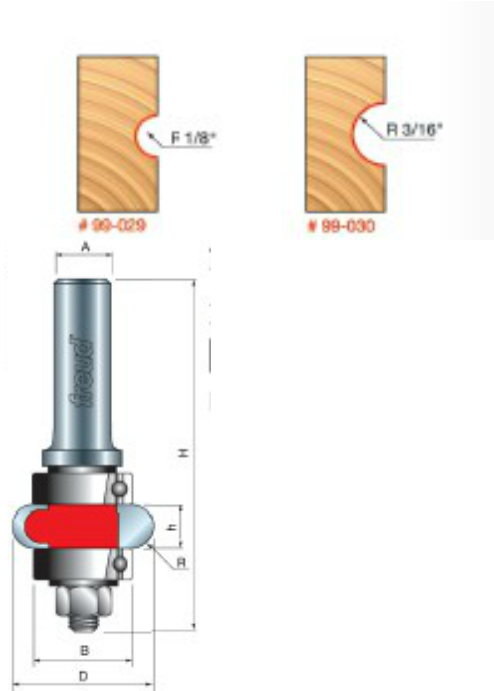


Freud Flute Bits

Thank you for shopping with us!

Application: Chippendale style furniture

- These bits include double bearings to create a fluted design for chair legs and moldings. Ideal for the production of Chippendale style furniture.
- Cuts all composition materials, plywoods, hardwoods, softwoods.
- Use on hand-held and table-mounted routers.



Item #	Manufacturer	Diameter	Cut Height, Length, or Width	Overall Length	Radius	Shank	Bearing Size	Price
99-029	Freud Tools	1 1/8 in	1/4 in	3 in	1/8 in	1/2 in	1/4 in	\$45.81
99-030	Freud Tools	1 1/4 in	3/8 in	3 in	3/16 in	1/2 in	3/8 in	\$53.69