

## Edge of Arlington Saw & Tool, Inc.

124 South Collins

Arlington, TX 76010

Phone:817-461-7171 • Fax: 817-795-6651

Toll Free: 888-461-7171

Email: [info@eoasaw.com](mailto:info@eoasaw.com)

Website: [www.eoasaw.com](http://www.eoasaw.com)

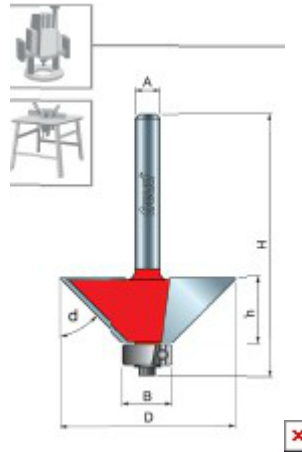


40-206

### Freud Chamfer Bits

Thank you for shopping with us!

Application: For multiple-sided projects, joinery, and easing edges -Creates a uniform chamfer on the edge of any workpiece to add character, while retaining crisp geometric lines. -#[40-094](#) makes 16-sided pieces and #[40-098](#) makes 12-sided pieces. -Chamfer size easily adjusts by changing the height of the bit. -Cuts all composition materials, plywoods, hardwoods, and softwoods. -Use on hand-held



and table-mounted portable routers.

Item #	Manufacturer	Diameter	Cut Height, Length, or Width	Overall Length	Shank	Bearing Size	Angle	Price
40-094	Freud Tools	7/8 in	1 in	2 3/4 in	1/2 in	1/2 in	11 1/4 deg	<b>\$33.76</b>
40-098	Freud Tools	1 in	1 in	2 7/8 in	1/2 in	1/2 in	15 deg	<b>\$33.76</b>
40-100	Freud Tools	23/32 in	1/2 in	2 3/16 in	1/4 in	1/2 in	15 deg	<b>\$29.08</b>
40-101	Freud Tools	1 1/4 in	7/8 in	2 5/8 in	1/2 in	1/2 in	22 1/2 deg	<b>\$34.37</b>
40-102	Freud Tools	15/16 in	1/2 in	2 3/16 in	1/4 in	1/2 in	25 deg	<b>\$29.08</b>

40-104	Freud Tools	1 11/32 in	1/2 in		2 3/16 in	1/4 in	1/2 in	45 deg	<b>\$32.22</b>
40-106	Freud Tools	1 3/4 in	5/8 in		2 3/16 in	1/4 in	1/2 in	45 deg	<b>\$36.08</b>
40-114	Freud Tools	1 5/8 in	5/8 in		2 9/16 in	1/2 in	3/8 in	45 deg	<b>\$36.57</b>
40-118	Freud Tools	2 1/2 in	1 in		2 7/8 in	1/2 in	1/2 in	45 deg	<b>\$63.16</b>
40-202	Freud Tools	1 11/32 in	3/4 in		2 1/4 in	1/4 in	1/2 in	30 deg	<b>\$45.45</b>
40-206	Freud Tools	1 11/32 in	3/4 in		2 3/4 in	1/2 in	1/2 in	30 deg	<b>\$45.92</b>