

Edge of Arlington Saw & Tool, Inc.

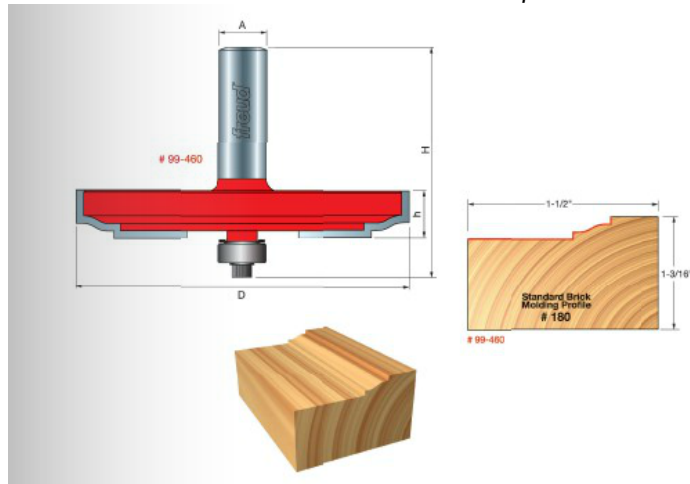
124 South Collins
 Arlington, TX 76010
 Phone:817-461-7171 • Fax: 817-795-6651
 Toll Free: 888-461-7171
 Email: info@eoasaw.com
 Website: www.eoasaw.com



99-460

Freud Brick Molding Bit

Thank you for shopping with us! Application: Creates industry standard brick molding profile #180 -Mill straight or arched molding to fit windows, doors, or arched openings. -Features Freud's patented Quadra-Cut™ technology for extra-clean cuts in crossgrain applications. -Use with hardwood or softwood to mill stain grade molding. -Use with table-mounted portable routers.
Note: for best results make two or more passes



Item #	Manufacturer	Diameter	Cut Height, Length, or Width	Overall Length	Profile	Shank	Type	Price
99-460	Freud Tools	3 1/2 in	1/2 in	3 in	Profile Design: Brick Molding #180	1/2 in	Quadra-Cut	\$110.12