

Edge of Arlington Saw & Tool, Inc.

124 South Collins

Arlington, TX 76010

Phone: 817-461-7171 • Fax: 817-795-6651

Toll Free: 888-461-7171

Email: info@eoasaw.com

Website: www.eoasaw.com



99-472

Freud Beadboard Bit System

Thank you for shopping with us! Application: Create beautiful wainscoting, paneling, back panels for bookcases, and much more Freud's new Beadboard Tongue and Groove System mills perfect beadboard in a variety of thicknesses from 3/8" to 3/4", and in almost any width. Mill beadboard from any hardwood or softwood, and use it to create a beautiful effect as wainscoting, wall or ceiling paneling, cabinet and bookcase backs, and more. The tongue and groove bits include two slot cutters: use the 1/4" cutter to mill a 1/4" thick tongue and groove for 1/2" to 3/4" stock, or switch to the 1/16" cutter for thinner material. Once the tongue and groove joints are complete, use the solid carbide Radius V-Groove Bit to complete the beadboard design. -Mills traditional beadboard in a variety of thicknesses and widths -Includes two slot cutters to rout either 1/4" or 1/16" tongue & groove joints -Use with any hardwood or softwood to match your décor -Use only with a

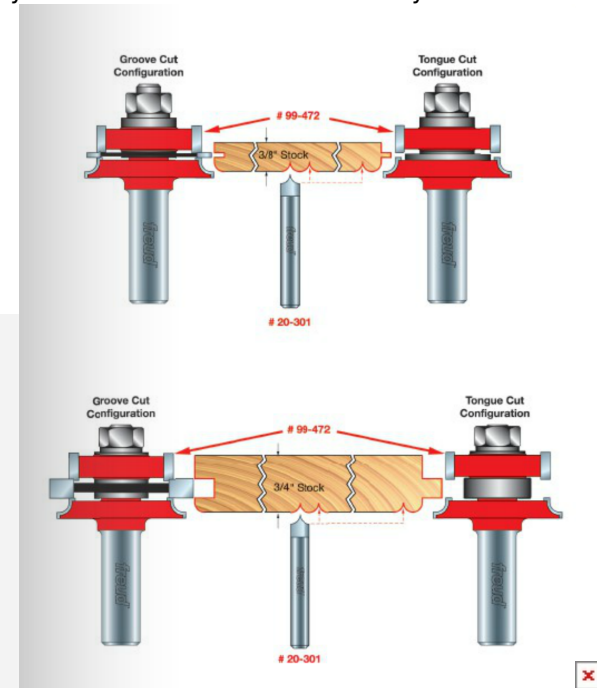
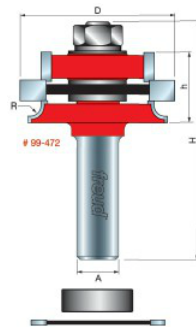


table-mounted router and fence

| Item # | Manufacturer | Diameter | Cut Height, Length, or Width | Overall Length | Radius | Shank | Type | Price |
|--------|--------------|----------|------------------------------|----------------|--------|--------|-------------------------------|-----------------|
| 20-301 | Freud Tools | 1/4 in | 3/16 in | 1 3/4 in | 1/8 in | 1/4 in | Radius V Groove Bit | \$19.63 |
| 99-472 | Freud Tools | 1 7/8 in | 13/16 in | 2 7/8 in | 1/8 in | 1/2 in | Beadboard Tongue & Groove Bit | \$108.24 |