

Edge of Arlington Saw & Tool, Inc.

124 South Collins

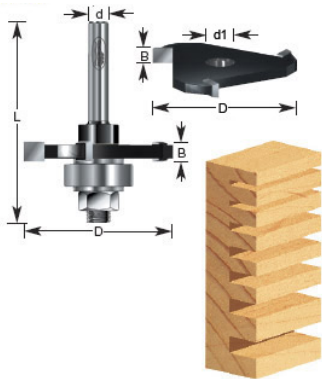
Arlington, TX 76010

Phone: 817-461-7171 • Fax: 817-795-6651

Toll Free: 888-461-7171

Email: info@eoasaw.com

Website: www.eoasaw.com



Amana Professional Quality Slotting Cutter Assemblies

Thank you for shopping with us!

Includes cutter, arbor, and ball bearing. 1/4" Shank 3-wing [3-wing cutters](#)

Item #	Manufacturer	Diameter	Bearing(s)	Cut Height, Length, or Width	Includes	Note	Overall Length	Shank	Wings	Price
270-10	Amana Tool	1 7/8 in	47708, Amana Tool Steel Ball Bearing Guide 7/8 Overall Dia x 5/16 Inner Dia x 9/32 Height	1/16 in	Includes cutter, arbor, and ball bearing	3-Wing Cutter Only: 270-40	2 1/8 in	1/4 in	3-wing with ball bearing guide	\$17.47
270-20	Amana Tool	1 7/8 in	47708, Amana Tool Steel Ball Bearing Guide 7/8 Overall Dia x 5/16 Inner Dia x 9/32 Height	5/64 in	Includes cutter, arbor, and ball bearing	3-Wing Cutter Only: 270-42	2 1/8 in	1/4 in	3-wing with ball bearing guide	\$18.66

270-22	Amana Tool	1 7/8 in	47708, Amana Tool Steel Ball Bearing Guide 7/8 Overall Dia x 5/16 Inner Dia x 9/32 Height	3/32 in	Includes cutter, arbor, and ball bearing	3-Wing Cutter Only: 270-44	2 1/8 in	1/4 in	3-wing with ball bearing guide	\$18.76
270-12	Amana Tool	1 7/8 in	47708, Amana Tool Steel Ball Bearing Guide 7/8 Overall Dia x 5/16 Inner Dia x 9/32 Height	1/8 in	Includes cutter, arbor, and ball bearing	3-Wing Cutter Only: 270-46	2 1/8 in	1/4 in	3-wing with ball bearing guide	\$18.97
270-14	Amana Tool	1 7/8 in	47708, Amana Tool Steel Ball Bearing Guide 7/8 Overall Dia x 5/16 Inner Dia x 9/32 Height	5/32 in	Includes cutter, arbor, and ball bearing	3-Wing Cutter Only: 270-48	2 1/8 in	1/4 in	3-wing with ball bearing guide	\$19.46
270-24	Amana Tool	1 7/8 in	47708, Amana Tool Steel Ball Bearing Guide 7/8 Overall Dia x 5/16 Inner Dia x 9/32 Height	3/16 in	Includes cutter, arbor, and ball bearing	3-Wing Cutter Only: 270-50	2 1/8 in	1/4 in	3-wing with ball bearing guide	\$20.41
270-16	Amana Tool	1 7/8 in	47708, Amana Tool Steel Ball Bearing Guide 7/8 Overall Dia x 5/16 Inner Dia x 9/32 Height	1/4 in	Includes cutter, arbor, and ball bearing	3-Wing Cutter Only: 270-52	2 1/8 in	1/4 in	3-wing with ball bearing guide	\$19.53