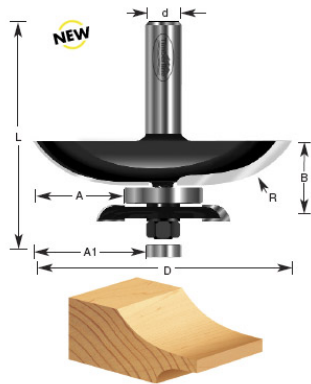


**Edge of Arlington Saw & Tool, Inc.**

124 South Collins  
 Arlington, TX 76010  
 Phone:817-461-7171 • Fax: 817-795-6651  
 Toll Free: 888-461-7171  
 Email: [info@eoasaw.com](mailto:info@eoasaw.com)  
 Website: [www.eoasaw.com](http://www.eoasaw.com)



**Amana Professional Quality Raised Panel Cove w/Back Cutter Router Bits**

Thank you for shopping with us! Create raised panels for cabinet doors, frame and panel furniture, and architectural paneling with a raised panel bit. The back cutter on a raised panel bit makes the panel flush with the back of the door frame and it ensures a precise fit between the panel edge and groove. 1/2" Shank 2 Flute with ball bearing guide Professional Quality Carbide-Tipped Not for use in a handheld router!

Item #	Manufacturer	Diameter	Bearing(s)	Cut Depth	Cut Height, Length, or Width	Overall Length	Radius	Reveal	RPM	Shank	Price
420-52	Amana Tool	3 1/2 in	47763, Amana Tool 5/16 ID x 1-1/4 OD x .196 Thick Steel Ball Bearing Guide 47708, Amana Tool Steel Ball Bearing Guide 7/8 Overall Dia x 5/16 Inner Dia x 9/32 Height	1 1/8 in	1 1/4 in	3 1/16 in	1 37/64 in	1 29/64 in	12,000	1/2 in	<b>\$119.25</b>