

Edge of Arlington Saw & Tool, Inc.

124 South Collins

Arlington, TX 76010

Phone:817-461-7171 • Fax: 817-795-6651

Toll Free: 888-461-7171

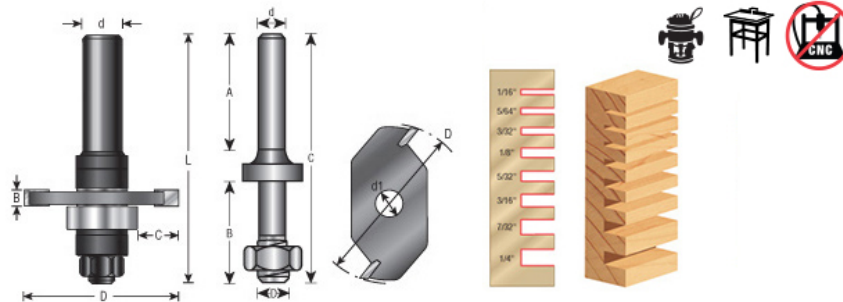
Email: info@eoasaw.com

Website: www.eoasaw.com



Amana Tool Slotting Cutter Assemblies

Thank you for shopping with us! Groove edges for T-moldings, splines, or biscuits, and other purposes. Route tongue-and-groove joinery. Slotting cutters are available with either 2-wing or 3-wing cutters. Each assembly includes a cutter, bearing for a 1/2" deep cut, and either a 1/4", 3/8", or 1/2" shank arbor. Use in a handheld or table-mounted router. Note: Assemblies include cutter, arbor, and ball bearing. To reduce depth of cut, refer to [Vari-Depth™](#) bearings (1/4" and 3/8" depth) Replacement Arbors: 47600 1/4" Shank 47602 3/8" Shank 47604 1/2" Shank Cutter sample 2-Wing:



Item #	Manufacturer	Diameter	Cut Height, Length, or Width	Note	Overall Length	Shank	Wings	Price
53306	Amana Tool	1 7/8 in	1/8 in	Includes cutter, arbor, and ball bearing.	2 3/8 in	1/4 in	2	\$29.44
53309	Amana Tool	1 7/8 in	7/32 in	Includes cutter, arbor, and ball bearing.	2 3/8 in	1/4 in	2	\$30.34
53402	Amana Tool	1 7/8 in	5/64 in	Includes cutter, arbor, and ball bearing.	2 3/8 in	1/4 in	3	\$30.53
53404	Amana Tool	1 7/8 in	3/32 in	Includes cutter, arbor, and ball bearing.	2 3/8 in	1/4 in	3	\$30.79
53406	Amana Tool	1 7/8 in	1/8 in	Includes cutter, arbor, and ball bearing.	2 3/8 in	1/4 in	3	\$32.74

53407	Amana Tool	1 7/8 in	5/32 in	Includes cutter, arbor, and ball bearing.	2 3/8 in	1/4 in	3	\$33.56
53408	Amana Tool	1 7/8 in	3/16 in	Includes cutter, arbor, and ball bearing.	2 3/8 in	1/4 in	3	\$33.56
53409	Amana Tool	1 7/8 in	7/32 in	Includes cutter, arbor, and ball bearing.	2 3/8 in	1/4 in	3	\$33.68
53306-1	Amana Tool	1 7/8 in	1/8 in	Includes cutter, arbor, and ball bearing.	2 3/8 in	1/2 in	2	\$29.44
53309-1	Amana Tool	1 7/8 in	7/32 in	Includes cutter, arbor, and ball bearing.	2 3/8 in	1/2 in	2	\$30.34
53310-1	Amana Tool	1 7/8 in	1/4 in	Includes cutter, arbor, and ball bearing.	2 3/8 in	1/2 in	2	\$30.34
53400-1	Amana Tool	1 7/8 in	1/16 in	Includes cutter, arbor, and ball bearing.	2 3/8 in	1/2 in	3	\$30.15
53402-1	Amana Tool	1 7/8 in	5/64 in	Includes cutter, arbor, and ball bearing.	2 3/8 in	1/2 in	3	\$30.53
53404-1	Amana Tool	1 7/8 in	3/32 in	Includes cutter, arbor, and ball bearing.	2 3/8 in	1/2 in	3	\$30.79
53406-1	Amana Tool	1 7/8 in	1/8 in	Includes cutter, arbor, and ball bearing.	2 3/8 in	1/2 in	3	\$32.74
53407-1	Amana Tool	1 7/8 in	5/32 in	Includes cutter, arbor, and ball bearing.	2 3/8 in	1/2 in	3	\$33.56
53408-1	Amana Tool	1 7/8 in	3/16 in	Includes cutter, arbor, and ball bearing.	2 3/8 in	1/2 in	3	\$33.56
53409-1	Amana Tool	1 7/8 in	7/32 in	Includes cutter, arbor, and ball bearing.	2 3/8 in	1/2 in	3	\$33.68
53410-1	Amana Tool	1 7/8 in	1/4 in	Includes cutter, arbor, and ball bearing.	2 3/8 in	1/2 in	3	\$33.68
53300	Amana Tool	1 7/8 in	1/16 in	Includes cutter, arbor, and ball bearing.	2 3/8 in	1/4 in	2	\$28.43
53310	Amana Tool	1 7/8 in	1/4 in	Includes cutter, arbor, and ball bearing.	2 3/8 in	1/4 in	2	\$30.34
53400	Amana Tool	1 7/8 in	1/16 in	Includes cutter, arbor, and ball bearing.	2 3/8 in	1/4 in	3	\$30.15
53410	Amana Tool	1 7/8 in	1/4 in	Includes cutter, arbor, and ball bearing.	2 3/8 in	1/4 in	3	\$33.68