

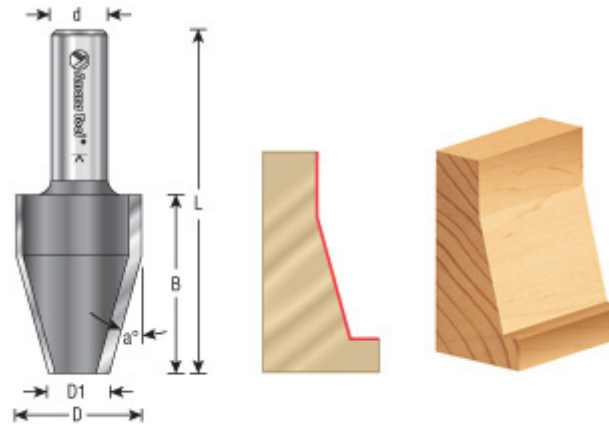
**Edge of Arlington Saw & Tool, Inc.**

124 South Collins  
 Arlington, TX 76010  
 Phone:817-461-7171 • Fax: 817-795-6651  
 Toll Free: 888-461-7171  
 Email: [info@eoasaw.com](mailto:info@eoasaw.com)  
 Website: [www.eoasaw.com](http://www.eoasaw.com)



**Amana Tool Vertical Raised Panel Carbide-Tipped 2-Flute**

Thank you for shopping with us! Raised panels with a low horsepower, fixed speed router using these patented VERTICAL raised panel bits. You must do the work on a router table, with the work on edge, braced against the fence. Arched or curved shapes (i.e. "cathedral" door panels) cannot be routed. To prolong tool life and achieve the best cut finish, several passes are recommended.



Profile Sample #54532

Item #	Manufacturer	Diameter	Cut Height, Length, or Width	Diameter (D1)	Flute	Overall Length	R1/Radius	Shank	R2/Radius	Angle	Type	R3/Radius	Price
54520	Amana Tool	1 3/16 in	1 5/8 in	7/16 in	2	3 1/8 in	7/8 in	1/2 in	23/32 in	--	Ogee	--	<b>\$68.33</b>
54524	Amana Tool	1 1/8 in	1 5/8 in	9/32 in	2	3 1/8 in	1 9/16 in	1/2 in	--	--	Cove	--	<b>\$70.91</b>

---

54528	Amana Tool	1 3/16 in	1 5/8 in	3/16 in	2	3 1/8 in	7/8 in	1/2 in	23/32 in	--	Ogee w/Bead	1/8 in	<b>\$53.25</b>
54532	Amana Tool	1 1/8 in	1 5/8 in	19/32 in	2	3 1/8 in	--	1/2 in	--	15 deg	Traditional	--	<b>\$68.33</b>

---