

Edge of Arlington Saw & Tool, Inc.

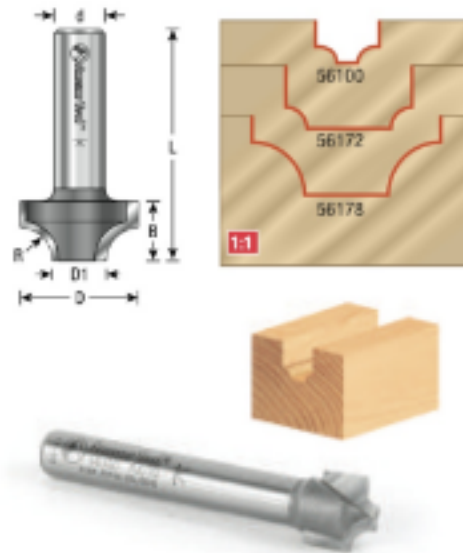
124 South Collins
 Arlington, TX 76010
 Phone:817-461-7171 • Fax: 817-795-6651
 Toll Free: 888-461-7171
 Email: info@eoasaw.com
 Website: www.eoasaw.com



Amana Tool Beading Groove 2-Flute Carbide-Tipped Router Bits

Thank you for shopping with us!

Quarter-round profiles are formed by this bit as it grooves, one on each side of a flat. Used with a fence or edge guide, this beading bit can be used as an edge former.



| Item # | Diameter | Cut Height, Length, or Width | Diameter (D1) | Flute | Overall Length | Radius | Shank | Note | Manufacturer | Price |
|--------|----------|------------------------------|---------------|-------|----------------|---------|--------|------|--------------|----------------|
| 56100 | 25/64 in | 23/64 in | 1/8 in | 3 | 1 29/32 in | 3/32 in | 1/4 in | -- | Amana Tool | \$28.69 |
| 56170 | 1/2 in | 3/8 in | 1/4 in | 4 | 1 7/8 in | 1/8 in | 1/4 in | -- | Amana Tool | \$37.69 |

| | | | | | | | | | | |
|-----------|----------|----------|--------|---|-----------|----------|--------|---|------------|----------------|
| 56172 | 3/4 in | 3/8 in | 1/2 in | 2 | 2 in | 1/8 in | 1/4 in | -- | Amana Tool | \$37.69 |
| 56174 | 7/8 in | 15/32 in | 1/2 in | 2 | 2 3/16 in | 13/64 in | 1/4 in | -- | Amana Tool | \$44.85 |
| 56178 | 1 1/8 in | 9/16 in | 1/2 in | 2 | 2 3/4 in | 5/16 in | 1/2 in | Warning: Maximum RPM = 14,000. Use in a table-mounted router; not for use in a handheld router! | Amana Tool | \$50.21 |
| 56179-CNC | 1 1/4 in | 5/8 in | 1/2 in | 2 | 2 9/16 in | 3/8 in | 1/2 in | Warning: 56179-CNC has an open flute design (not anti-kickback) and is intended for high feed-rate CNC machine use only. Do not use in portable routers. Not for use in a handheld router | Amana Tool | \$69.71 |