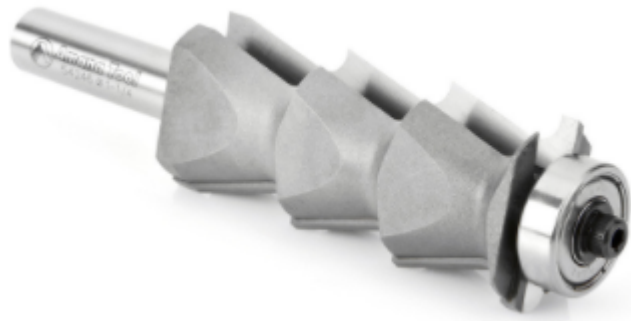


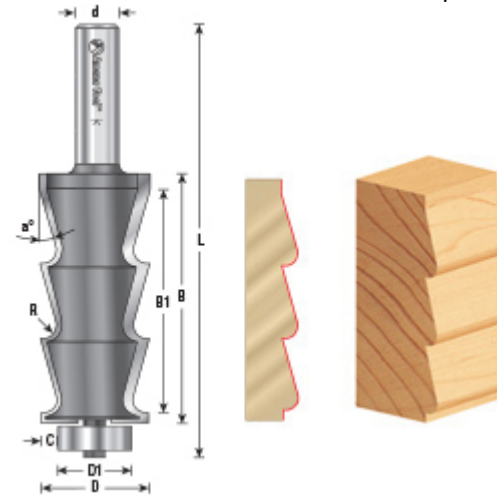
Edge of Arlington Saw & Tool, Inc.

124 South Collins
 Arlington, TX 76010
 Phone:817-461-7171 • Fax: 817-795-6651
 Toll Free: 888-461-7171
 Email: info@eoasaw.com
 Website: www.eoasaw.com



Amana Tool Louver/Shutters Carbide-Tipped 2-Flute w/Ball Bearing Guide

Thank you for shopping with us! Create custom louver doors. Now you can easily simulate the timeless look of wooden shutters (louvers) with this new industrial quality router bit. **Warning:**



Maximum RPM = 12,000

Item #	Manufacturer	Bearing(s)	Diameter	Cut Height, Length, or Width	Diameter (D1)	Flute	Overall Length	Radius	Shank	Angle	B1	RPM	Price
--------	--------------	------------	----------	------------------------------	---------------	-------	----------------	--------	-------	-------	----	-----	-------

54246	Amana Tool	47776, Amana Tool Steel Ball Bearing Guide 22mm Overall Dia x 8mm Inner Dia x 7mm Height for #54246	1 1/4 in	2 29/32 in	22mm	2 w/Bearing	5 5/32 in	5/32 in	1/2 in	15 ™	2 9/32 in	Max 12,000	\$89.68
-------	------------	--	----------	------------	------	----------------	-----------	---------	--------	------	-----------------	---------------	----------------
