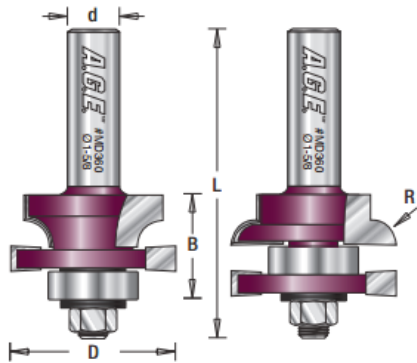


Edge of Arlington Saw & Tool, Inc.

124 South Collins
 Arlington, TX 76010
 Phone:817-461-7171 • Fax: 817-795-6651
 Toll Free: 888-461-7171
 Email: info@eoasaw.com
 Website: www.eoasaw.com



Amana Pro-Series Concave Stile & Rail Set Router Bit

Thank you for shopping with us!

Our rail and stile sets give you two complete bits: one for the rail cuts, one for the stiles. Make cabinet doors and all varieties of frame-and-panel assemblies for furniture and architectural applications. 2-Flute Pro-Series Carbide-Tipped

Item #	Manufacturer	Diameter	Cut Height, Length, or Width	Bearing(s)	Flute	Overall Length	Radius	Shank	Price
MD360	Amana Tool	1 5/8 in	1 in	47708, Amana Tool Steel Ball Bearing Guide 7/8 Overall Dia x 5/16 Inner Dia x 9/32 Height	2	2 29/32 in	1/4 in	1/2 in	\$92.03