

Edge of Arlington Saw & Tool, Inc.

124 South Collins

Arlington, TX 76010

Phone: 817-461-7171 • Fax: 817-795-6651

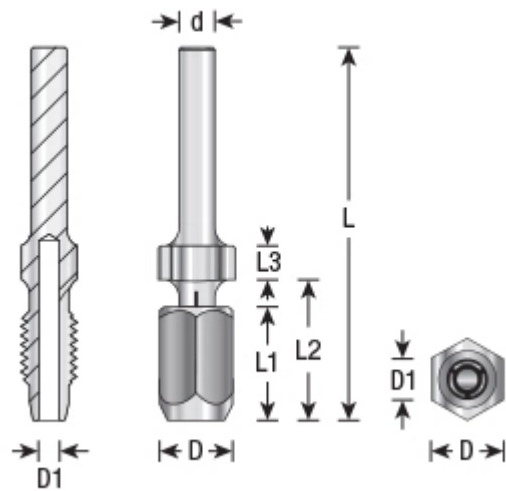
Toll Free: 888-461-7171

Email: info@eoasaw.com

Website: www.eoasaw.com

Amana Tool CNC Extension Adapters

Thank you for shopping with us! Amana Tool CNC Extension Adapters made especially for 1/8" shank router bits. Total Indicated Run-out (TIR) is 0.00118" (0.03mm). **Warning:** Max RPM 18,000



Item #	Manufacturer	Diameter	Diameter (D1)	Length	Overall Length	RPM	Shank	Note	Price
47640	Amana Tool	3/4 in	1/4 in	Length L1 1-1/4 in; Length L2 1-15/32 in; Length L3 5/16 in	3 7/16 in	Max RPM 18,000	1/2 in	Router bit & chuck sold separately	\$41.10
47648	Amana Tool	7/16 in	1/8 in	Length L1 19/32 in; Length L2 13/16 in; Length L3 1/4 in	2 1/4 in	Max RPM 18,000	1/4 in	Router bit & chuck sold separately	\$41.99

47642	Amana Tool	5/8 in	1/4 in	Length L1 15/16 in; Length L2 1-3/16 in; Length L3 1/4 in	2 5/8 in	Max RPM 18,000	1/4 in	Router bit & chuck sold separately	\$39.18
47641	Amana Tool	1 in	1/2 in	Length L1 1-1/4 in; Length L2; 1-25/32 in; Length L3 13/32 in	3 5/8 in	Max RPM 18,000	1/2 in	Router bit & chuck sold separately	\$51.35