

## Edge of Arlington Saw & Tool, Inc.

124 South Collins

Arlington, TX 76010

Phone: 817-461-7171 • Fax: 817-795-6651

Toll Free: 888-461-7171

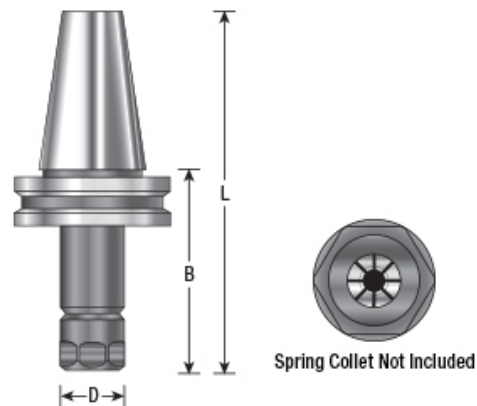
Email: [info@eoasaw.com](mailto:info@eoasaw.com)

Website: [www.eoasaw.com](http://www.eoasaw.com)

### Amana Tool CAT 40 High Precision ER Collet Chuck Tool Holders

Thank you for shopping with us!

- Made from alloy steel hardened to 54 - 56rc
- Tool Holders Balanced to G2.5 at 25 000 RPMs
- Coolant thru capability
- Concentricity is less than .0002 at collet face
- Rear thread for pull stud is 5/8 - 11
- Spring collet not included



Item #	Manufacturer	Cut Height, Length, or Width	Length	Style	Thread Size/Length	Type	Price
HO-206	Amana Tool	2 1/2 in	165.1 mm	CAT 40	5/8-11 in	Collet ER20	<b>\$100.80</b>
HO-208	Amana Tool	4 in	203.4 mm	CAT 40	5/8-11 in	Collet ER20	<b>\$111.96</b>
HO-212	Amana Tool	2 1/2 in	165.1 mm	CAT 40	5/8-11 in	Collet ER25	<b>\$111.96</b>
HO-214	Amana Tool	4 in	203.4 mm	CAT 40	5/8-11 in	Collet ER25	<b>\$111.96</b>
HO-220	Amana Tool	4 in	203.4 mm	CAT 40	5/8-11 in	Collet ER32	<b>\$111.96</b>