

Edge of Arlington Saw & Tool, Inc.

124 South Collins

Arlington, TX 76010

Phone:817-461-7171 • Fax: 817-795-6651

Toll Free: 888-461-7171

Email: info@eoasaw.com

Website: www.eoasaw.com

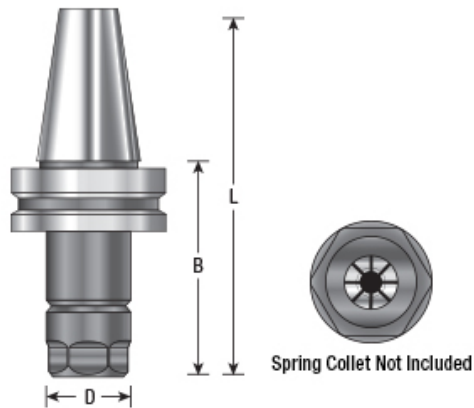


Amana Tool BT 40 High Precision ER Collet Chuck Tool Holders

Thank you for shopping with us!

CNC Replacement Parts

- Made from alloy steel hardened to 54 - 56rc
- Tool Holders Balanced to G2.5 at 25,000 RPMs
- Coolant thru capability
- Concentricity is less than .0002 at collet face
- Rear thread for pull stud is M16 x 2.0
- Spring collet not included



Item #	Manufacturer	Cut Height, Length, or Width	Length	Style	Thread Size/Length	Type	Price
HO-164	Amana Tool	70 mm	135.4 mm	BT-40	M16x2.0	Collet ER16	\$89.60
HO-172	Amana Tool	80 mm	145.4 mm	BT-40	M16x2.0	Collet ER20	\$89.60

HO-174	Amana Tool	100 mm	165.4 mm	BT-40	M16x2.0	Collet ER20	\$89.60
HO-178	Amana Tool	80 mm	145.4 mm	BT-40	M16x2.0	Collet ER25	\$89.60
