

Timberline[®]



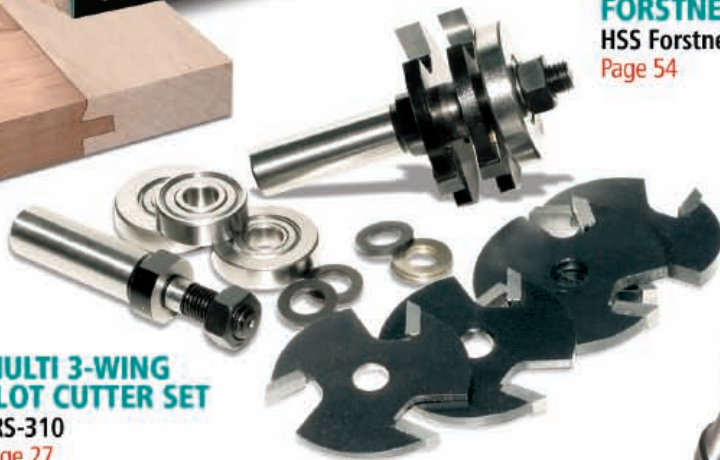
a Professional Brand of  **Amana Tool**[®]



3-PIECE SHAKER RAISED PANEL CABINET DOOR MAKING SET
 TRS-230
 Page 25



COIN SIZED FORSTNER BITS
 HSS Forstner Bits
 Page 54



MULTI 3-WING SLOT CUTTER SET
 TRS-310
 Page 27



JIGSAW BLADES
 U & T Shank
 Page 38 & 39

SLOTTED DRIVE SYSTEM BITS
 PLUS & MAX
 Page 40



DIAMOND SAW BLADES
 Continuous Rim, Turbo
 & Segmented Rim
 Page 37



**CARBIDE TIPPED
ROUTER BITS**
2-21


ARCHITECTURAL MOLDING	13
BEAD & COVE	10
BEADING	9
BEVEL TRIM	5
BOWL & TRAY	6
BULLNOSE	9
CHAMFER	8
CLASSICAL GROOVE	7
CLASSICAL PLUNGE	7-8
CONVEX EDGING	11
CORE BOX	6
CORNER BEADING	12
CORNER ROUND	9
COVE	10
CROWN MOLDING	13
DOOR LIP	21
DOVETAIL	15
FINGER GRIP	21
FLUSH TRIM	4-5
GLUE JOINT	16
KEYHOLE	16
LEAF-EDGE BEADING	12
LOCK MITER	16
MATCH BEAD	12
MORTISING	3
MULTI-FORM	14
OGEE PLUNGE	7
OGEE	11
OGEE FILET	11
OGEE WINDOW SASH & RAIL	17
PLUNGE BEADING	7
RABBETING	14-15
RAISED PANEL BITS	19-21
ROMAN OGEE	11
ROUND OVER GROOVE	7
SIGNMAKING & LETTERING	6
SLOTING CUTTERS	15-16
SPECIAL INTEREST MOLDING	13
STRAIGHT PLUNGE BITS	2-3
STILE & RAIL SETS	17-19
TABLE DRAW EDGE	21
TABLE EDGE	14

TONGUE & GROOVE	16
TRIPLE BEAD	12
'V' GROOVE	5-6
WAVY EDGE	11

**CARBIDE
TIPPED
ROUTER BIT
SETS**
22-27


ALL PURPOSE SETS	22
STARTER SET	23
PROFILES SET	23
OGEE RAISED PANEL DOOR MAKING SETS	23-24
COVE RAISED PANEL DOOR MAKING SETS	24
SHAKER RAISED PANEL DOOR MAKING SET	25
CABINET DOOR MAKING SET	25-26
TONGUE & GROOVE CABINET DOOR MAKING SET	25
DOOR MAKING SET	26
GLASS DOOR MAKING SET	26
MULTI 3-WING SLOT CUTTER SET	27
MOULDING SET	27
STEEL BALL BEARING GUIDES	27

SAW BLADES
28-39


DADO SET	36
DIAMOND SAW BLADES	37
FIBERFORCE™	31
JIG SAW BLADES	38-39
TI-CUT™	34-35
THIN KERF	28-33
GENERAL PURPOSE	28, 32 & 33
CONTRACTOR	28-29
NAIL CUTTING	29
PCD FOR FIBER CEMENT BOARD	31
FINISHING	30, 33
PRESSURE TREATED	30
PROFESSIONAL SPECIALTY ALL PURPOSE	30
SLIDING COMPOUND MITER	32
ALUMINUM & NON-FERROUS	32
SAW BLADE REDUCING BUSHINGS	36
SAW BLADE STABILIZERS/STIFFENERS	36

**DRILLING
& BORING BITS
40-56**



AUGER BITS55

BI-METAL HOLE SAW44

BI-METAL HOLE SAW MANDRELS44

BRAD POINT43

COBALT DRILL42

DOWEL CENTER SET44

FLAT BOTTOM COUNTERBORES53

FORSTNER BITS54

 CARBIDE TIPPED54

 COIN SIZED FORSTNER BITS54

 SAW TOOTH FORSTNER BIT SET54

HIGH-SPEED STEEL42

HINGE BORING53

LOCKSET INSTALLATION KITS56

MASONRY-HAMMER DRILL41

MORTISING CHISELS & BITS55

MULTI-PURPOSE DRILL41

SLOTTED DRIVE SYSTEM BITS40

SPLIT RING DEPTH STOP43

TITANIUM COATED STEP DRILL43

QUICK RELEASE SYSTEM45-52

 82° HSS COUNTERSINKS47

 82° TITANIUM COATED HSS COUNTERSINKS47

 ADJUSTABLE DRYWALL SCREW SETTER51

 AUGER BITS49

 BROKEN SCREW REMOVER52

 CARBIDE TIPPED BORING46

 CARBIDE TIPPED COUNTERBORES46

 CARBIDE TIPPED COUNTERSINKS46

 CARBIDE TIPPED GLASS & TILE DRILLS47

 CEILING TILE HANGER48

 COUNTERSINK SET52

 DEPTH STOPS FOR COUNTERSINKS46

 DRILL & DRIVE COUNTERSINK SET52

 DRILL ADAPTERS WITH DRILL BITS45

 DRILL ADAPTERS WITH TAPER POINT DRILLS45

 DRYWALL BIT TIPS50

 EXTENSIONS49

 E-Z QUICK CHANGE BIT SET & CASE52

 FACE FRAME COUNTERBORES47

 HEX BIT TIPS51

 HSS COUNTERSINKS46

KEYLESS CHUCK45

MAGNETIC BIT HOLDER48

MAGNETIC DRIVE GUIDE48

MAGNETIC NUT SETTER49

PHILLIPS SCREW BIT TIPS50

PLUG CUTTERS46

POZIDRIVE® INSERT BITS51

SELF CENTERING DRILL BIT GUIDES47

SLOTTED SCREW BIT TIPS50

SOCKET ADAPTERS47

SPADE BITS WITH SPURS48-49

SQUARE BIT TIPS52

RTA FURNITURE DRILLS45

TITANIUM COATED HSS DRILL SAW49

TITANIUM NITRIDE COATED DRYWALL BIT TIPS50

TORX® INSERT BITS51

SPADE BITS55

 SPADE BIT EXTENSION55

 SPADE BIT SET55

 SPADE BITS WITH SPURS55

STRAIGHT WOOD PLUG CUTTERS53

TAPERED WOOD PLUG CUTTERS53

THE WORKHORSE - SELF FEEDING BIT56

WOOD PLUG CUTTER SET53

**HAND TOOLS
56-58**

BEVEL EDGE WOOD CHISEL SETS56

CARPENTER PENCILS56

CORNER CHISEL56

DIAMOND HONES57

DOUBLE EDGE LAMINATE/VENEER TRIMMER57

DOUBLE EDGE WALLBOARD57

END TRIMMER57

NOGA DEBURRING SYSTEM58

SCORING TOOL - DUAL CARBIDE TIPPED57

STEEL HAND SCRAPERS57



**ACCESSORIES
59**

HEARING PROTECTION HEADSETS59

LANYARD FOR SAFETY GLASSES59

SAFETY GLASSES59

SILICONE EAR PLUGS59



NUMERICAL INDEX 61-62



The **NEW** Timberline® Catalog Offers:

- Complete Woodworking Assortment!
- Competitively Priced!

Welcome to the **NEW** Timberline® Catalog!

Amana Tool® is proud to present the latest exciting collection of Timberline® router bits, saw blades and workshop accessories for the discriminating, budget-minded woodworker. Well known for its top-rated Thin-Kerf saw blades, the Timberline® brand has grown to include over 500 of the most popular bits, blades and cutters for contractors, professional woodworkers, hobbyists and industrial users. In the past year alone, we've added 00 new router bits and 00 new saw blades to the line, including new blades specially designed for decking, fiberboard, and-yes-steel! (See pages X-XX.)

The Timberline® philosophy is simple: Our tools deliver outstanding performance, precision, and superior tool life—at a price you can afford. You won't find better tools at a lower price; we guarantee it!

Superior manufacturing is the key to Timberline® quality. We use only the best tool steel and long-wearing micro-grain carbide in our tools, and our sharpening technologies are second to none. Our famous Thin Kerf blades are hand hammered, fully tensioned and heat treated for top performance. Our router bits are precision ground on state-of-the-art grinding equipment, with shear angles and radial relief for smooth, burn-free performance. Our bits also feature an anti-kickback design that limits the depth of cut and makes them safer to use.

Purchasing Timberline® products has never been easier. Simply visit our web site @ www.timberline-amana.com to locate the Amana Tool® dealer nearest you. You may then order directly from one of our on-line dealers or call us toll-free at 1-800-445-0077 for the dealer nearest you.

If you haven't used Timberline® tools before, you're in for a pleasant surprise. We think you'll agree with our many thousands of satisfied customers, that Timberline® quality is hard to beat.

Above all, your satisfaction is the most important gauge of Timberline® quality. Please feel free to contact us with your comments and suggestions about our products.

Thank you,
The Amana Tool® Team

Timberline®

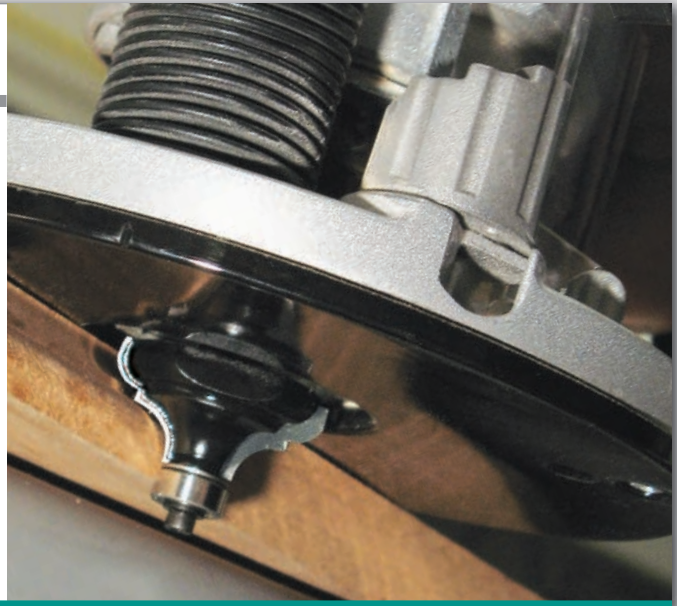
a Professional Brand of
Amana Tool®

TIMBERLINE®/AMANA TOOL® ARE NOT RESPONSIBLE FOR TYPOGRAPHICAL ERRORS. ALL SPECIFICATIONS IN THIS CATALOG ARE SUBJECT TO CHANGE WITHOUT NOTICE.

CARBIDE TIPPED ROUTER BITS
 BROCAS/FRESAS PARA ROUTER CON PUNTAS DE CARBURO

If you're looking for router bits that offer superior cuts and smooth performance at prices that can't be beat --- then look no further. Timberline® router bits boast high quality at an affordable price. Each Timberline® router bit is carefully engineered and manufactured to maximize performance while stretching your woodworking budget.

Each Timberline® router bit utilizes only the finest steel and micro-grain carbide; our cnc multi-axis sharpening technology creates a shear angle and radial relief on every form type bit. Timberline® router bits feature the latest in anti-kickback design technology; this important feature limits the cutting depth which ensures that our bits are safer for your use.



CARBIDE TIPPED ROUTER BITS

STRAIGHT PLUNGE
 RECTA UN FILO

1/4" SHANK • SINGLE FLUTE

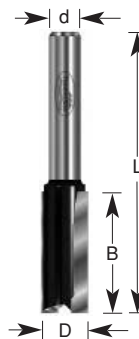


ØD	B	Ød	L	Tool No.
1/8"	7/16"	1/4"	2"	100-01
1/4"	1"	1/4"	2-3/8"	100-02

STRAIGHT PLUNGE
 RECTA DOS FILOS

1/4" SHANK • 2 FLUTE

NEW
 ADDITIONAL SIZES



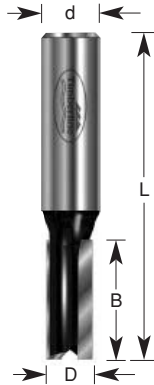
ØD	B	Ød	L	Tool No.
1/16"	3/16"	1/4"	1-3/4"	100-04
3/32"	1/4"	1/4"	1-13/16"	100-08
1/8"	7/16"	1/4"	2"	100-10
5/32"	7/16"	1/4"	2-5/16"	100-12
3/16"	3/4"	1/4"	2-1/2"	100-14
7/32"	3/4"	1/4"	2-1/8"	100-15
15/64"	3/4"	1/4"	2"	100-19
1/4"	1/2"	1/4"	2"	100-17
1/4"	3/4"	1/4"	2"	100-16
1/4"	1"	1/4"	2-1/4"	100-18
1/4"	1"	1/4"	2-7/8"	100-22
9/32"	1"	1/4"	2-1/4"	100-26
5/16"	1"	1/4"	2-1/4"	100-30
3/8"	1"	1/4"	2-1/4"	100-34
7/16"	1"	1/4"	2-1/8"	100-38
1/2"	3/4"	1/4"	1-3/4"	100-41
1/2"	1"	1/4"	2-1/8"	100-42
5/8"	3/4"	1/4"	2"	100-46
23/32"	3/4"	1/4"	2"	100-48
3/4"	3/4"	1/4"	2"	100-50
1"	3/4"	1/4"	2"	100-54



STRAIGHT PLUNGE
RECTA DOS FILOS

NEW
ADDITIONAL SIZES

1/2" SHANK • SINGLE & 2 FLUTE



2 Flute

ØD	B	Ød	L	Tool No.
1/2"	1-1/2"	1/2"	3-13/16"	* 110-08
1/4"	1"	1/2"	2-3/4"	110-10
5/16"	3/4"	1/2"	2-1/2"	100-56
5/16"	1"	1/2"	2-3/4"	110-11
3/8"	3/4"	1/2"	2-1/2"	110-12
3/8"	1"	1/2"	2-3/4"	110-14
3/8"	1-1/4"	1/2"	3"	110-15
7/16"	1-1/4"	1/2"	3"	110-16
15/32"	1-1/4"	1/2"	2-7/8"	110-17
1/2"	1"	1/2"	2-5/8"	110-18
1/2"	1-1/4"	1/2"	2-7/8"	110-22
1/2"	1-1/2"	1/2"	3-1/8"	110-26
1/2"	1-1/2"	1/2"	4-1/4"	110-19
1/2"	2"	1/2"	4-1/4"	110-28
1/2"	2-1/2"	1/2"	4-1/4"	110-50
9/16"	1-1/4"	1/2"	2-7/8"	110-29
5/8"	1"	1/2"	2-5/8"	110-44
5/8"	1-1/4"	1/2"	2-7/8"	110-30
5/8"	1-1/2"	1/2"	3-1/8"	110-52
5/8"	2"	1/2"	3-3/4"	100-40
23/32"	1-1/4"	1/2"	2-7/8"	110-31
3/4"	1"	1/2"	2-5/8"	110-33
3/4"	1-1/4"	1/2"	2-7/8"	110-34
3/4"	1-1/2"	1/2"	3-1/8"	110-36
3/4"	2"	1/2"	3-5/8"	110-37
25/32"	1-1/4"	1/2"	2-7/8"	110-54
7/8"	1-1/4"	1/2"	2-7/8"	110-38
1"	1-1/4"	1/2"	2-7/8"	110-42
1-1/4"	1-1/4"	1/2"	2-7/8"	110-46
1-1/2"	1-1/4"	1/2"	2-7/8"	110-48

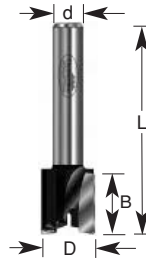
* Item 110-08 is single flute.

MORTISING
MORTAJAS

NEW
ADDITIONAL SIZES

1/4" & 1/2" SHANK • 2 FLUTE

Used for cutting shallow mortises for hinges & locksets.

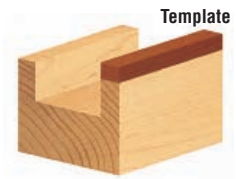
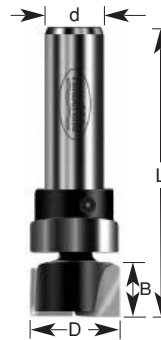


ØD	B	Ød	L	Tool No.
1/2"	3/4"	1/4"	2"	130-10
5/8"	3/4"	1/4"	2"	130-12
3/4"	3/4"	1/4"	2"	130-14
1-1/4"	3/4"	1/2"	2-1/8"	130-16

MORTISING FOR BOTTOM CLEANING
MORTAJAS CON RODAMIENTO

NEW

1/2" SHANK • 2 FLUTE WITH UPPER BALL BEARING GUIDE
UP-SHEAR DESIGN



Template

ØD	B	Ød	L	Tool No.
3/4"	7/16"	1/2"	2-1/2"	130-50

Replacement Bearing Part No. 47721
Replacement Collar Part No. 47740

MORTISING FOR BOTTOM CLEANING
MORTAJAS

NEW

1/2" SHANK • 2 FLUTE • UP-SHEAR DESIGN



ØD	B	Ød	L	Tool No.
1-1/2"	5/8"	1/2"	2-3/4"	130-52

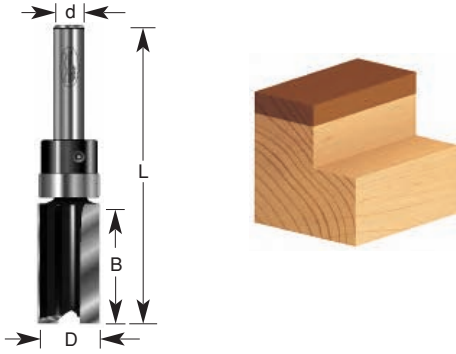


ROUTER BITS
CARBIDE TIPPED

FLUSH TRIM PLUNGE

RECTA CON RODAMIENTO SUPERIOR

1/4" SHANK • 2 FLUTE WITH UPPER BALL BEARING GUIDE



ØD	B	Ød	L	Tool No.
1/2"	1/4"	1/4"	1-3/4"	120-08
1/2"	1"	1/4"	2-1/2"	120-10
1/2"	1-1/4"	1/4"	2-3/4"	120-12
5/8"	1"	1/4"	2-3/4"	120-14
3/4"	1"	1/4"	2-1/2"	120-16

Replacement Parts:

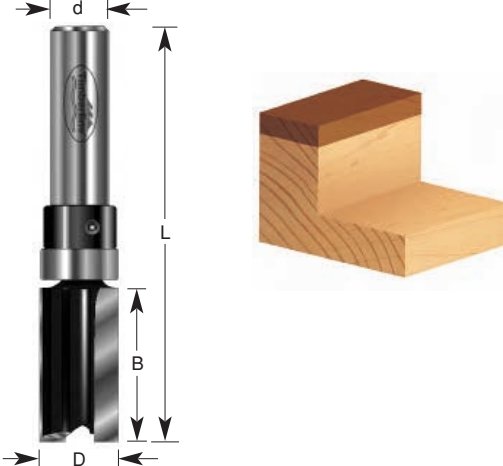
Tool No.	Bearing	Collar
120-08	47701	47724
120-10	47701	47724
120-12	47701	47724
120-14	47712	47724
120-16	47714	47724

FLUSH TRIM PLUNGE

RECTA CON RODAMIENTO SUPERIOR

NEW
ADDITIONAL SIZES

1/2" SHANK • 2 FLUTE WITH UPPER BALL BEARING GUIDE



ØD	B	Ød	L	Tool No.
3/4"	1"	1/2"	3"	120-20
3/4"	1-3/4"	1/2"	3-3/4"	120-24
1"	1-3/4"	1/2"	3-3/4"	120-26
1-1/8"	1-1/2"	1/2"	3-1/2"	120-28

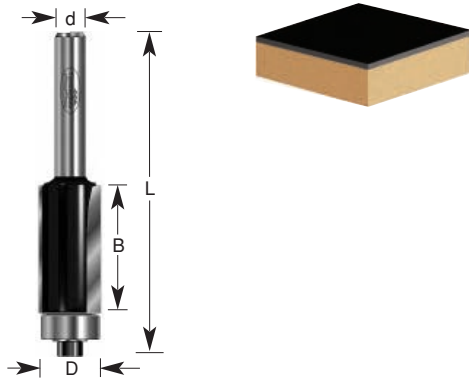
Replacement Parts:

Tool No.	Bearing	Collar
120-20	47721	47739
120-24	47721	47739
120-26	47754	47739
120-28	47738	47740

FLUSH TRIM

RECORTE DE LAMINADOS CON RODAMIENTO

1/4" SHANK • 2 & 3 FLUTE WITH BALL BEARING GUIDE



ØD	B	Ød	L	Flutes	Tool No.
3/8"	1/2"	1/4"	2-1/8"	2	190-14
3/8"	1"	1/4"	2-5/8"	2	190-10
1/2"	1/2"	1/4"	2-1/4"	2	190-22
1/2"	1"	1/4"	2-5/8"	2	190-18
1/2"	1/2"	1/4"	2-1/4"	3	190-28
1/2"	1"	1/4"	2-5/8"	3	190-30

Replacement Screw Part No. 500-10

Replacement Parts:

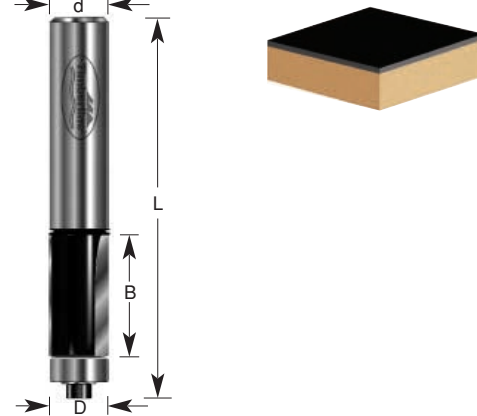
Tool No.	Bearing
190-10	47702
190-14	47702
190-18	47706
190-22	47706
190-28	47706
190-30	47706

FLUSH TRIM

RECORTE DE LAMINADOS CON RODAMIENTO

NEW
ADDITIONAL SIZES

1/2" SHANK • 2 & 3 FLUTE WITH BALL BEARING GUIDE



ØD	B	Ød	L	Flutes	Tool No.
1/2"	1/2"	1/2"	2-3/4"	2	190-24
1/2"	1"	1/2"	3-1/4"	2	190-26
1/2"	1-1/2"	1/2"	3-7/8"	2	190-38
1/2"	2"	1/2"	4-1/4"	2	190-42
3/4"	1"	1/2"	3-1/4"	2	190-50
3/4"	1"	1/2"	3-1/16"	2	190-51
1/2"	1"	1/2"	3"	3	190-34
1/2"	1-1/2"	1/2"	3-7/8"	3	190-46

Replacement Parts:

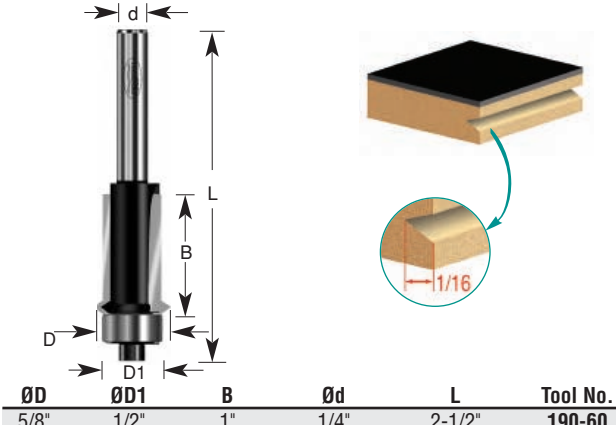
Tool No.	Bearing
190-24, 190-26	47706
190-34, 190-38	47706
190-42, 190-46	47706
190-50, 190-51	47714

Replacement Screw Part No. 500-10

FLUSH TRIM 'V' GROOVE
RECORTÉ CON RANURA EN V

NEW

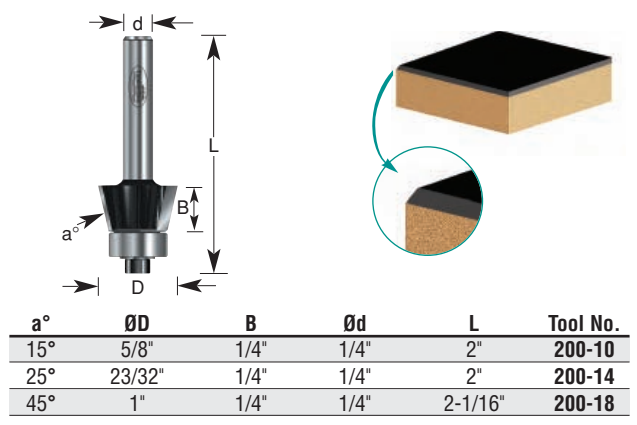
1/4" SHANK • 2 FLUTE WITH BALL BEARING GUIDE



Replacement Bearing Part No. 47706, Replacement Screw Part No. 500-10

BEVEL TRIM
BISELADO

1/4" SHANK • 2 FLUTE WITH BALL BEARING GUIDE

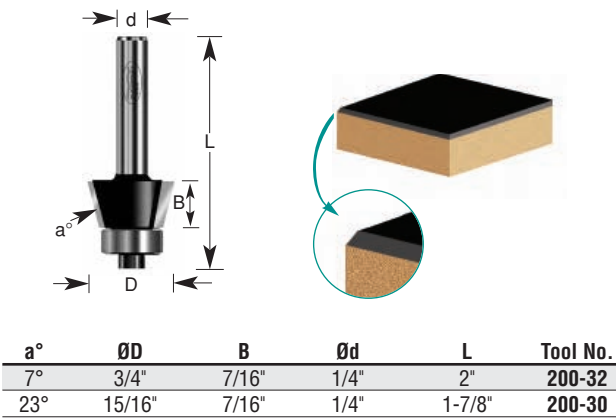


Replacement Bearing Part No. 47706
Replacement Screw Part No. 500-10, Key No. 5000

BEVEL TRIM
BISELADO

NEW

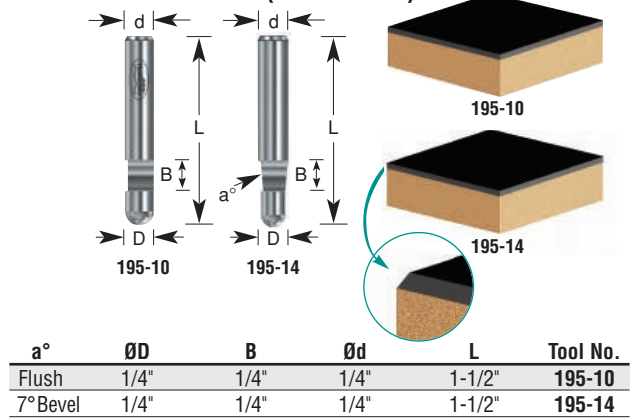
1/4" SHANK • 3 FLUTE WITH BALL BEARING GUIDE



Replacement Bearing Part No. 47716
Replacement Screw Part No. 500-10

FLUSH & BEVEL TRIM WITH PILOT
RECORTÉ CARBURO SOLIDO

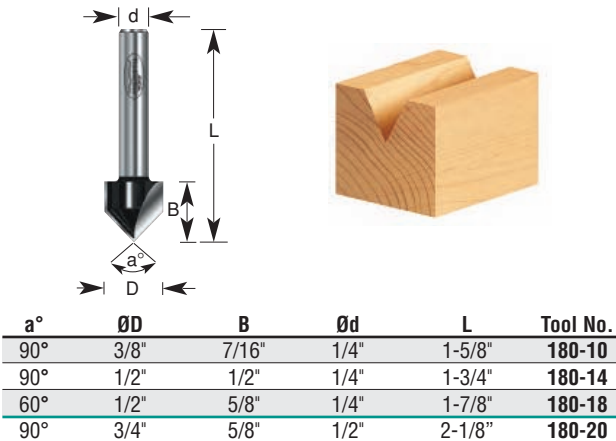
1/4" SHANK • SINGLE FLUTE (SOLID CARBIDE)



'V' GROOVE
RANURADO EN V

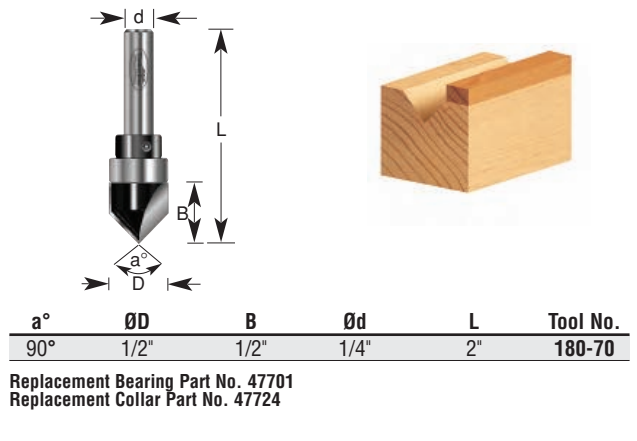
NEW
ADDITIONAL SIZES

1/4" & 1/2" SHANK • 2 FLUTE



'V' GROOVE
RANURADO EN V CON RODAMIENTO

1/4" SHANK • 2 FLUTE WITH UPPER BALL BEARING GUIDE



Replacement Bearing Part No. 47701
Replacement Collar Part No. 47724



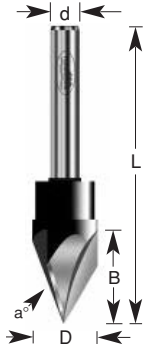
ROUTER BITS CARBIDE TIPPED

SIGNMAKING & LETTERING

CARBURO SOLIDO, ROTULACION

NEW

1/4" SHANK • 3 FLUTE WITH UPPER BALL BEARING GUIDE



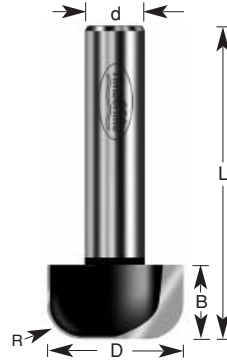
a°	ØD	B	Ød	L	Tool No.
60°	9/16"	7/16"	1/4"	2-1/4"	180-22

BOWL & TRAY

VASIJAS/BANDEJAS/CAJAS

NEW

1/2" SHANK • 2 FLUTE

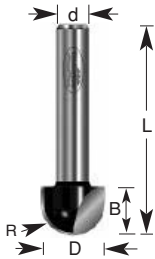


R	ØD	B	Ød	L	Tool No.
1/4"	3/4"	5/8"	1/2"	2-5/8"	170-10
1/4"	1-1/8"	5/8"	1/2"	2-5/8"	170-12

CORE BOX

MEDIA CAÑA

NEW
ADDITIONAL SIZES



1/4" SHANK • 2 FLUTE

R	ØD	B	Ød	L	Tool No.
1/16"	1/8"	3/8"	1/4"	1-3/4"	160-60
1/8"	1/4"	1/4"	1/4"	1-5/8"	160-10
3/16"	3/8"	1/4"	1/4"	1-1/2"	160-14
1/4"	1/2"	3/8"	1/4"	1-1/2"	160-18
5/16"	5/8"	7/16"	1/4"	1-11/16"	160-50
3/8"	3/4"	7/16"	1/4"	1-3/4"	160-22
1/2"	1"	5/8"	1/4"	1-7/8"	160-24

1/2" SHANK • 2 FLUTE

R	ØD	B	Ød	L	Tool No.
3/16"	3/8"	1/4"	1/2"	2"	160-62
1/4"	1/2"	3/8"	1/2"	2-1/8"	160-20
5/16"	5/8"	7/16"	1/2"	2"	160-64
3/8"	3/4"	7/16"	1/2"	2"	160-54
1/2"	1"	11/16"	1/2"	2-3/16"	160-58
5/8"	1-1/4"	3/4"	1/2"	2-5/16"	160-68 ♦

CORE BOX

MEDIA CAÑA CON RODAMIENTO

1/4" SHANK • 2 FLUTE WITH UPPER BALL BEARING GUIDE



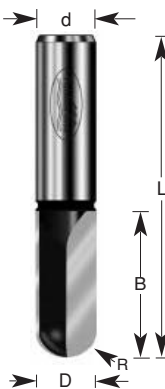
R	ØD	B	Ød	L	Tool No.
1/4"	1/2"	3/8"	1/4"	2"	160-70

CORE BOX EXTRA DEEP

MEDIA CAÑA, CORTE PROFUNDO

NEW

1/2" SHANK • 2 FLUTE

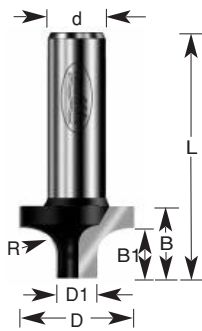


R	ØD	B	Ød	L	Tool No.
3/16"	3/8"	1"	1/2"	2-3/4"	160-80
1/4"	1/2"	1-1/4"	1/2"	2-3/4"	160-82
3/4"	1-1/2"	1-1/4"	1/2"	2-3/4"	160-84 ♦

ROUND OVER GROOVE
RADIO CONCAVO

NEW

1/2" SHANK • 2 FLUTE

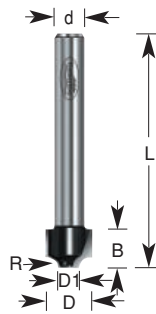


Use in a table-mounted router.
Not for use in a handheld router!

R	ØD	ØD1	B	B1	Ød	L	Tool No.
3/8"	1"	.250"	5/8"	15/32"	1/2"	2-1/8"	210-20
1/2"	1-3/8"	.363"	1"	3/4"	1/2"	2-1/2"	210-22

PLUNGE BEADING
PERFILAR

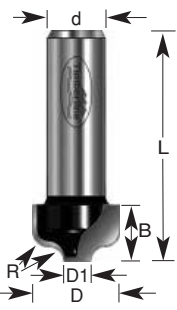
1/4" SHANK • 2 FLUTE



R	ØD	ØD1	B	Ød	L	Tool No.
3/32"	3/8"	3/16"	5/16"	1/4"	2"	450-04

OGEE
PERFILAR

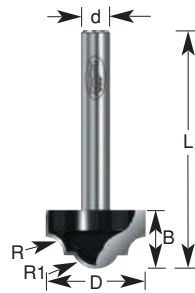
1/2" SHANK • 2 FLUTE



R	ØD	ØD1	B	Ød	L	Tool No.
9/64"	3/4"	.256	1/2"	1/2"	2"	450-60

CLASSICAL PLUNGE
PERFILAR

1/4" SHANK • 2 FLUTE



R	R1	ØD	B	Ød	L	Tool No.
3/32"	9/64"	1/2"	7/16"	1/4"	2"	450-08

CLASSICAL GROOVE
PERFILAR

NEW

1/2" SHANK • 2 FLUTE



R	R1	ØD	B	Ød	L	Tool No.
13/64"	1/4"	1"	11/16"	1/2"	3"	460-16



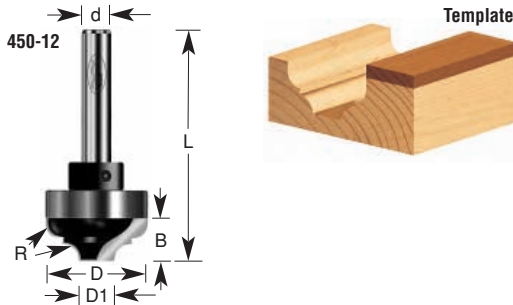
ROUTER BITS CARBIDE TIPPED

CLASSICAL PLUNGE PERFILAR CON RODAMIENTO

NEW
ADDITIONAL SIZES

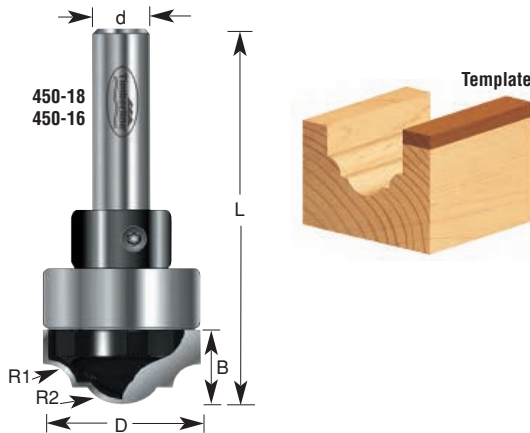
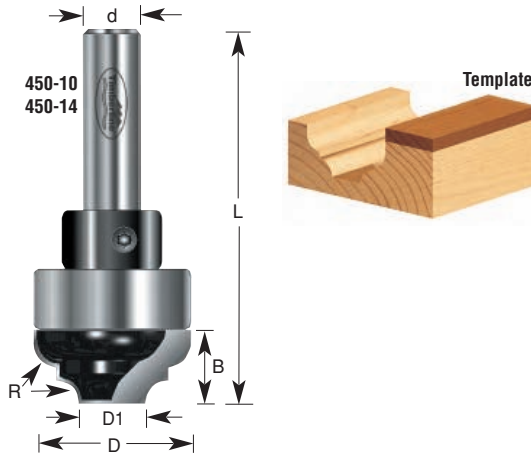
1/4" & 1/2" SHANK • 2 FLUTE WITH UPPER BALL BEARING GUIDE

Rout decorative grooves on solid wood or MDF panels and surfaces with a handheld or CNC router. Form edges with a hand router equipped with an edge guide, or on a router table. Shank-mounted bearing allows cuts to be guided by a template mounted atop the workpiece. Can be used with a Template.



R	ØD	ØD1	B	Ød	L	Tool No.
9/64	7/8"	.319	3/8"	1/4"	2"	450-12

Replacement Bearing Part No. 47708.
Replacement Lock Ring Part No. 47748.



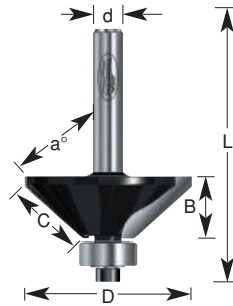
R	R1	R2	ØD	ØD1	B	Ød	L	Tool No.
13/64	—	—	1-3/8"	.522"	9/16"	1/2"	2-5/8"	450-10
13/64	—	—	1-3/8"	.522"	25/64"	1/2"	2-5/8"	450-14
—	1/4"	13/32"	1-3/8"	—	9/16"	1/2"	2-5/8"	450-18
—	1/4"	13/32"	1-3/8"	—	25/64"	1/2"	2-5/8"	450-16

Replacement Bearing Part No. 47734.
Replacement Collar Part No. 47740.

CHAMFER BISELAR

NEW
ADDITIONAL SIZES

1/4" & 1/2" SHANK • 2 FLUTE WITH BALL BEARING GUIDE



Use in a table-mounted router.
Not for use in a handheld router!

a°	ØD	B	C	Ød	L	Tool No.
15°	7/8"	3/4"	25/32"	1/4"	2-1/4"	280-08
45°	1-1/4"	5/8"	1/2"	1/4"	2"	280-10
45°	1-1/4"	5/8"	1/2"	1/2"	2-3/8"	280-14
22.5°	1-1/4"	7/8"	15/16"	1/2"	1-7/8"	280-20
30°	1-3/8"	13/16"	7/8"	1/2"	2-3/4"	280-42
45°	2"	3/4"	1-1/8"	1/2"	1-3/4"	280-28 ♦
45°	2-1/2"	1"	1-3/8"	1/2"	3"	280-32 ♦

Replacement Screw Part No. 500-10

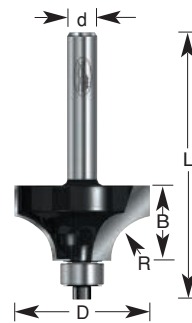
Replacement Parts:

Tool No.	Bearing
280-08	47706
280-10	47704
280-14	47704
280-20	47706
280-42	47706
280-28	47706
280-32	47706

BEADING MOLDURA

NEW
ADDITIONAL SIZES

1/4" & 1/2" SHANK • 2 FLUTE WITH BALL BEARING GUIDE



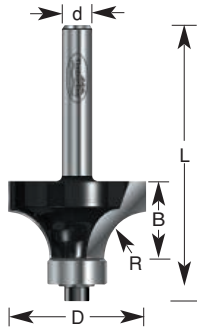
R	ØD	B	Ød	L	Tool No.
3/16"	7/8"	1/2"	1/4"	2"	340-10
1/4"	1"	1/2"	1/4"	2"	340-14
5/16"	1-1/8"	1/2"	1/4"	2-1/16"	340-16
3/8"	1-1/4"	5/8"	1/4"	2-3/16"	340-18
1/2"	1-1/2"	3/4"	1/4"	2-1/4"	340-22
3/8"	1-1/4"	5/8"	1/2"	2-9/16"	340-28
1/2"	1-1/2"	3/4"	1/2"	2-9/16"	340-30

Replacement Bearing Part No. 47702
Replacement Screw Part No. 500-10

CORNER ROUND
REDONDEAR

NEW
ADDITIONAL SIZES

1/4" SHANK • 2 FLUTE WITH BALL BEARING GUIDE



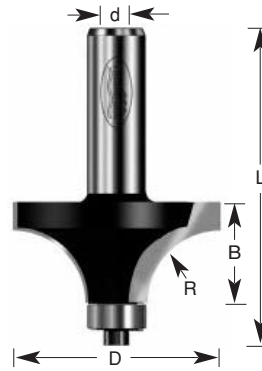
R	ØD	B	Ød	L	Tool No.
1/16"	5/8"	5/16"	1/4"	1-3/4"	320-06
1/8"	3/4"	3/8"	1/4"	2"	320-10
5/32"	13/16"	3/8"	1/4"	2"	320-48
3/16"	7/8"	1/2"	1/4"	2"	320-14
1/4"	1"	1/2"	1/4"	2"	320-18
5/16"	1-1/8"	1/2"	1/4"	2-1/16"	320-20
3/8"	1-1/4"	5/8"	1/4"	2-3/16"	320-26
1/2"	1-1/2"	3/4"	1/4"	2-1/4"	320-34

Replacement Bearing Part No. 47706
Replacement Screw Part No. 500-10

CORNER ROUND
REDONDEAR

NEW
ADDITIONAL SIZES

1/2" SHANK • 2 FLUTE WITH BALL BEARING GUIDE



◆ Use in a table-mounted router.
Not for use in a hand held router!

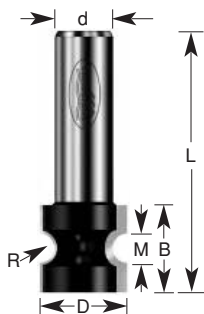
R	ØD	B	Ød	L	Tool No.
1/8"	3/4"	3/8"	1/2"	2-5/16"	320-46
3/16"	7/8"	1/2"	1/2"	2-7/16"	320-50
1/4"	1"	1/2"	1/2"	2-7/16"	320-22
5/16"	1-1/8"	1/2"	1/2"	2-7/16"	320-52
3/8"	1-1/4"	5/8"	1/2"	2-9/16"	320-30
1/2"	1-1/2"	3/4"	1/2"	2-5/8"	320-38
5/8"	1-3/4"	7/8"	1/2"	2-3/4"	320-54
3/4"	2"	1"	1/2"	2-7/8"	320-42
7/8"	2-1/4"	1-1/4"	1/2"	3-1/16"	320-56
1"	2-1/2"	1-1/4"	1/2"	3-3/16"	320-58 ◆
1-1/4"	3"	1-1/2"	1/2"	3-1/4"	320-60 ◆

Replacement Bearing Part No. 47706
Replacement Screw Part No. 500-10

BULLNOSE RADIUS
SEMICIRCULAR

NEW
ADDITIONAL SIZES

1/2" SHANK • 2 FLUTE



*'M'	R	ØD	B	Ød	L	Tool No.
1/4"	9/64"	21/32"	3/4"	1/2"	2-1/4"	350-10
27/64"	13/64"	7/8"	3/4"	1/2"	2-1/4"	350-12
35/64"	17/64"	1-1/32"	1"	1/2"	2-1/2"	350-14
3/4"	3/8"	1-1/4"	1-5/16"	1/2"	2-3/4"	350-16 △18
1"	1/2"	1-11/16"	1-9/16"	1/2"	3-1/16"	350-18 △16

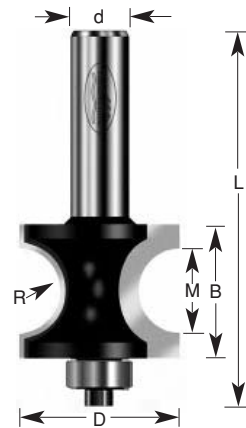
*'M' denotes thickness of material on which a full 180° round over can be accomplished.

△16 **WARNING:** Maximum RPM △16 = 16,000 △18 = 18,000

BULLNOSE RADIUS
SEMICIRCULAR

NEW
ADDITIONAL SIZES

1/2" SHANK • 2 FLUTE WITH BALL BEARING GUIDE



*'M'	R	ØD	B	Ød	L	Tool No.
3/4"	3/8"	1-3/8"	1-5/16"	1/2"	3-1/4"	350-20 △20

Replacement Bearing Part No. 47706
Replacement Screw Part No. 500-10

△20 **WARNING:** Maximum RPM △20 = 20,000



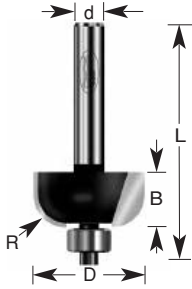
ROUTER BITS CARBIDE TIPPED

CARBIDE TIPPED ROUTER BITS

COVE CONCAVA

NEW
ADDITIONAL SIZES

1/4" & 1/2" SHANK • 2 FLUTE WITH BALL BEARING GUIDE

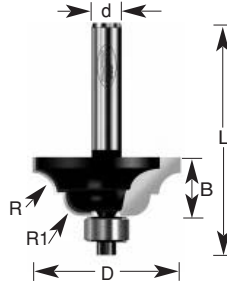


R	ØD	B	Ød	L	Tool No.
1/4"	7/8"	1/2"	1/4"	2"	220-10
3/8"	1-1/8"	1/2"	1/4"	2"	220-14
1/2"	1-3/8"	5/8"	1/4"	2-1/4"	220-18
1/4"	7/8"	9/16"	1/2"	2-3/8"	220-26
3/8"	1-1/8"	9/16"	1/2"	2-29/64"	220-30
1/2"	1-3/8"	3/4"	1/2"	2-41/64"	220-34
3/4"	2"	1"	1/2"	2-7/8"	220-38

Replacement Bearing Part No. 47704 (for 1/4" shank).
Replacement Bearing Part No. 47702 (for 1/2" shank).
Replacement Screw Part No. 500-10.

CLASSICAL BEAD & COVE MOLDURA

1/4" SHANK • 2 FLUTE WITH BALL BEARING GUIDE



R	R1	ØD	B	Ød	L	Tool No.
13/64"	5/16"	1-1/4"	1/2"	1/4"	2"	360-10
15/64"	7/32"	1-1/2"	5/8"	1/4"	2-1/8"	360-14

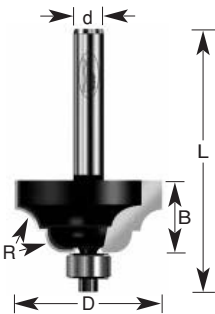
Replacement Bearing Part No. 47706.
Replacement Screw Part No. 500-10.

BEAD & COVE MOLDURA

NEW

1/4" SHANK • 2 FLUTE WITH BALL BEARING GUIDE

The reverse cove-and-bead bit, which has the cove coming off the bearing, produces the reverse of the classical cove and bead. Radii of both cove and bead are identical. Use in a handheld or table-mounted router.



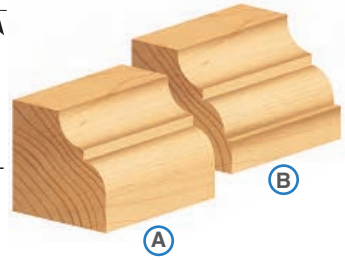
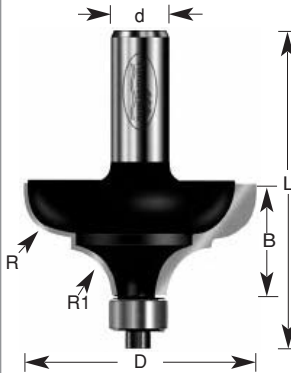
R	ØD	B	Ød	L	Tool No.
1/4"	1-3/8"	7/8"	1/4"	2-1/4"	360-16

Replacement Bearing Part No. 47704.

CLASSICAL COVE & BEAD MOLDURA

NEW
ADDITIONAL SIZES

1/4" & 1/2" SHANK • 2 FLUTE WITH BALL BEARING GUIDE



R	R1	ØD	B	Ød	L	Tool No.
5/32"	5/32"	1-1/8"	1/2"	1/4"	2"	400-12
1/4"	3/16"	1-3/8"	11/16"	1/4"	2-3/16"	400-14
3/16"	5/16"	1-1/2"	11/16"	1/2"	2-1/2"	400-10
1/4"	3/16"	1-3/8"	11/16"	1/2"	2-9/16"	400-18
3/8"	3/8"	2"	1"	1/2"	2-3/4"	400-20

(A) Standard 1/2" bearing #47706 (included).

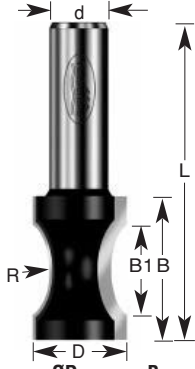
(B) Optional 3/8" bearing #47702 (order separately).

WARNING: Maximum RPM \triangle_{18} = 18,000

CONVEX EDGING
PERFILAR

NEW

1/2" SHANK • 2 FLUTE

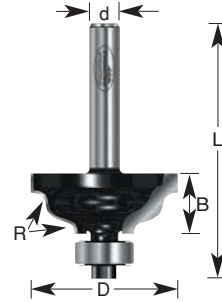


R	ØD	B	B1	Ød	L	Tool No.
23/32"	13/16"	1-1/4"	27/32"	1/2"	2-3/4"	350-40

Cuts a shallow radius ('thumbnail' shape) on board edges.

WAVY EDGE
MOLDURA

1/4" SHANK • 2 FLUTE WITH BALL BEARING GUIDE



R	ØD	B	Ød	L	Tool No.
5/32"	1-1/4"	9/16"	1/4"	2-1/4"	380-10 ¹⁸

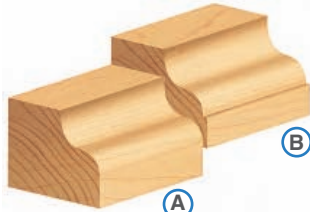
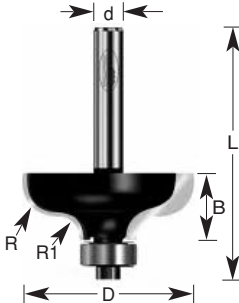
Replacement Bearing Part No. 47706
Replacement Screw Part No. 500-10

WARNING: Maximum RPM ¹⁸ = 18,000

OGEE
MOLDURA

NEW

1/4" & 1/2" SHANK • 2 FLUTE WITH BALL BEARING GUIDE



R	R1	ØD	B	Ød	L	Tool No.
1/4"	3/16"	1-3/8"	11/16"	1/4"	2-3/16"	450-82 ¹⁸
5/32"	5/32"	1-1/8"	1/2"	1/2"	2-3/8"	450-84 ¹⁸
1/4"	3/16"	1-3/8"	11/16"	1/2"	2-9/16"	450-86 ¹⁸
13/64"	1/8"	1-3/4"	25/64"	1/2"	2-7/16"	450-88 ¹⁸

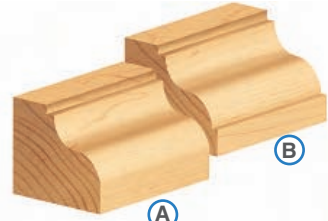
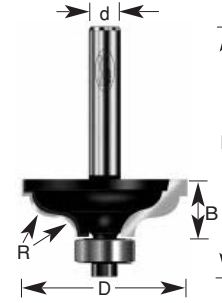
(A) Standard 1/2" bearing #47706 (included).

(B) Optional 3/8" bearing #47702 (order separately).

OGEE FILLET
MOLDURA

NEW

1/4" & 1/2" SHANK • 2 FLUTE WITH BALL BEARING GUIDE



R	ØD	B	Ød	L	Tool No.
5/32"	1-3/8"	1/2"	1/4"	2-1/16"	450-70 ¹⁸
1/4"	1-5/8"	3/4"	1/2"	2-5/8"	450-72 ¹⁸
3/8"	2-1/4"	15/16"	1/2"	2-7/8"	450-74 ¹⁶

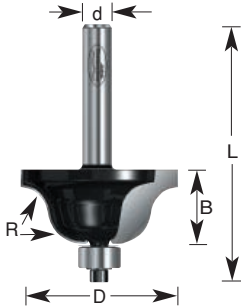
(A) Standard 1/2" bearing #47706 (included).

(B) Optional 3/8" bearing #47702 (order separately).

WARNING: Maximum RPM ¹⁶ = 16,000 ¹⁸ = 18,000

ROMAN OGEE
MOLDURA

1/4" SHANK • 2 FLUTE WITH BALL BEARING GUIDE

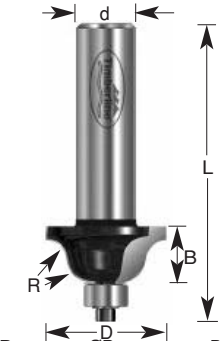


R	ØD	B	Ød	L	Tool No.
5/32"	1"	15/32"	1/4"	2-1/8"	240-10 ²¹
1/4"	1-3/8"	21/32"	1/4"	2-1/4"	240-18 ¹⁸

Replacement Bearing Part No. 47704
Replacement Screw Part No. 500-10

ROMAN OGEE
MOLDURA

1/2" SHANK • 2 FLUTE WITH BALL BEARING GUIDE



R	ØD	B	Ød	L	Tool No.
5/32"	1"	15/32"	1/2"	2-1/2"	240-14 ²¹
1/4"	1-3/8"	7/8"	1/2"	2-5/8"	240-22 ¹⁸

Replacement Bearing Part No. 47704 Replacement Screw Part No. 500-10



ROUTER BITS CARBIDE TIPPED

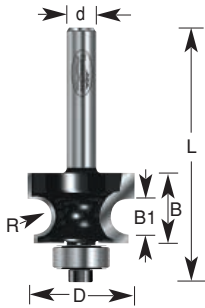
CARBIDE TIPPED ROUTER BITS

CORNER EDGE BEADING

MOLDURA

NEW
ADDITIONAL SIZES

1/4" SHANK • 2 FLUTE WITH BALL BEARING GUIDE



R	ØD	B	B1	Ød	L	Tool No.
1/8"	7/8"	1/2"	1/4"	1/4"	2-1/8"	370-10
3/16"	1-1/8"	11/16"	3/8"	1/4"	2-1/4"	370-14 ²¹

Replacement Bearing Part No. 47706.
Replacement Screw Part No. 500-10.

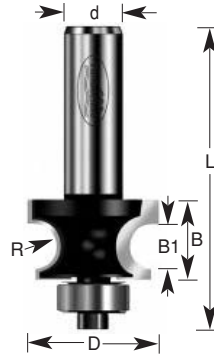
WARNING: Maximum RPM ²¹ = 21,000

CORNER EDGE BEADING

MOLDURA

NEW

1/2" SHANK • 2 FLUTE WITH BALL BEARING GUIDE



R	ØD	B	B1	Ød	L	Tool No.
1/8"	7/8"	9/16"	1/4"	1/2"	2-1/2"	370-12
3/16"	1-1/8"	11/16"	3/8"	1/2"	2-5/8"	370-16 ²³
1/4"	1-1/4"	3/4"	1/2"	1/2"	2-5/8"	370-18 ¹⁸

Replacement Bearing Part No. 47716

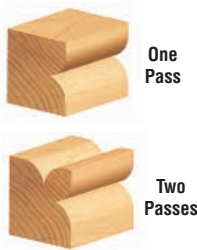
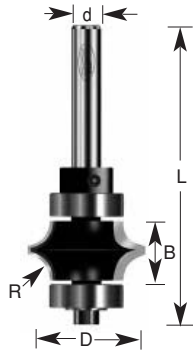
WARNING: Maximum RPM ¹⁸ = 18,000 ²¹ = 21,000

LEAF-EDGE BEADING

MOLDURA

NEW

1/4" SHANK • 2 FLUTE WITH BALL BEARING GUIDE



R	ØD	B	Ød	L	Tool No.
3/16"	1"	1/2"	1/4"	2-1/2"	390-30

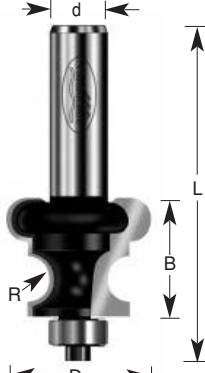
Replacement Bearing Part No. 47712 (2 required).
Replacement Collar Part No. 47724.

MATCHED BEAD

PERFILAR

NEW

1/2" SHANK • 2 FLUTE WITH BALL BEARING GUIDE



Use in a table-mounted router.
Not for use in a handheld router!

R	ØD	B	Ød	L	Tool No.
3/16"	1-1/4"	1"	1/2"	2-7/8"	390-16 ¹⁸

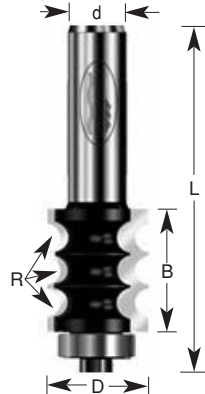
Replacement Bearing Part No. 47706.

TRIPLE BEAD

PERFILAR

NEW

1/2" SHANK • 2 FLUTE WITH BALL BEARING GUIDE



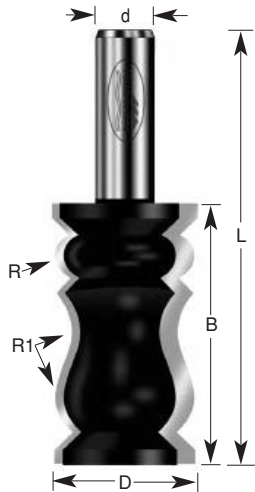
R	ØD	B	Ød	L	Tool No.
1/8"	7/8"	1"	1/2"	3"	390-40

CROWN MOLDING
CORNISA

NEW

1/2" SHANK • 2 FLUTE

Produce a mid-sized crown molding profile for architectural and furniture applications. This bit cuts the profile and bevel, as necessary, which is the show face of the workpiece. Bevel the top and bottom edges on the table saw to complete the molding. Use a 2+ horsepower router, mounted in a table, with a fence to guide the work. To prolong cutter life, reduce strain on the router. To get the best cut finish, make several passes to achieve full cut depth. Bevel back edges, cutting off 45° excess, with one of our chamfer bits.



R	R1	ØD	B	Ød	L	Tool No.
3/16"	7/16"	1-1/4"	2-1/4"	1/2"	3-3/4"	420-90 ¹⁸

Replacement Bearing Part No. 47706.

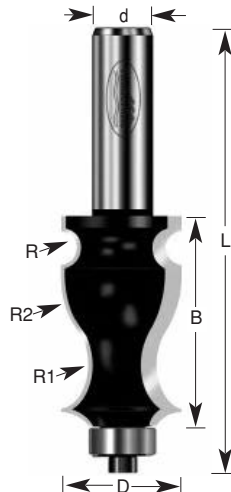
WARNING: Maximum RPM ¹⁸ = 16,000

ARCHITECTURAL MOLDING
MOLDURA ARQUITECTONICA

NEW

1/2" SHANK • 2 FLUTE WITH BALL BEARING GUIDE

This bit is designed for routing architectural and furniture moldings and trim. The profile is laid out vertically, reducing the diameter of the bit. This bit should be used in a 2+ horsepower, table-mounted router, and should be run at reduced speed. Although it has a ball-bearing guide, guiding the cuts with the fence is recommended.



R	R1	R2	ØD	B	Ød	L	Tool No.
1/8"	7/8"	3/8"	1"	1-11/16"	1/2"	3-1/4"	390-22 ¹⁸

Replacement Bearing Part No. 47706.

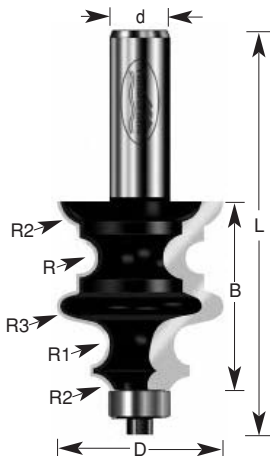
WARNING: Maximum RPM ¹⁸ = 18,000

ARCHITECTURAL MOLDING
MOLDURA ARQUITECTONICA

NEW

1/2" SHANK • 2 FLUTE WITH BALL BEARING GUIDE

This bit is designed for routing architectural and furniture moldings and trim. The profile is laid out vertically, reducing the diameter of the bit. This bit should be used in a 2+ horsepower, table-mounted router, and should be run at reduced speed. Although it has a ball-bearing guide, guiding the cuts with the fence is recommended.



R	R1	R2	R3	ØD	B	Ød	L	Tool No.
1/8"	3/32"	1/4"	7/16"	1-3/8"	1-5/8"	1/2"	3-1/2"	420-70 ¹⁸

Replacement Bearing Part No. 47706.

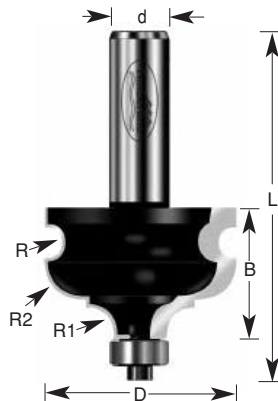
WARNING: Maximum RPM ¹⁸ = 18,000

SPECIAL INTEREST MOLDING
MOLDURA

NEW

1/2" SHANK • 2 FLUTE WITH BALL BEARING GUIDE

Designed for routing architectural and furniture moldings and trim, this bit should be used in a 2+ horsepower, table-mounted router, and should be run at reduced speed. Although it has a ball-bearing guide, guiding the cuts with a fence is recommended.



R	R1	R2	ØD	B	Ød	L	Tool No.
1/8"	3/8"	1/4"	1-5/8"	1-1/8"	1/2"	3"	420-62 ¹⁸

Replacement Bearing Part No. 47706.

WARNING: Maximum RPM ¹⁸ = 18,000

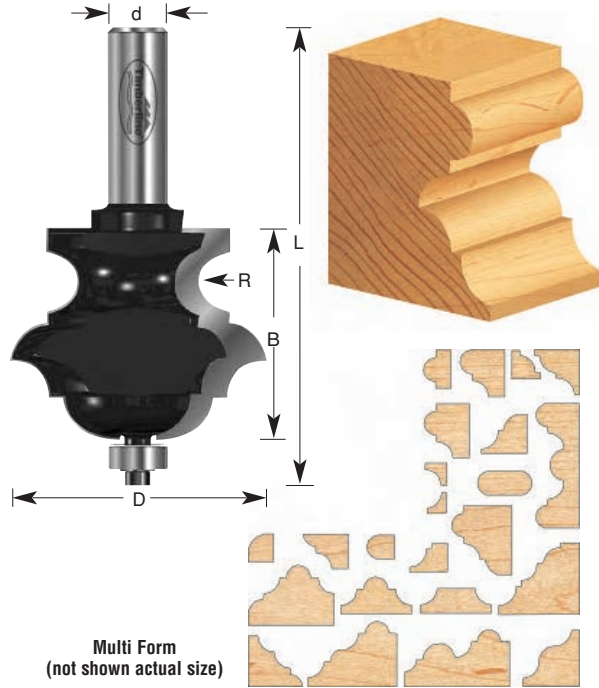


ROUTER BITS CARBIDE TIPPED

CARBIDE TIPPED ROUTER BITS

MULTI-FORM MULTIPERFIL

1/2" SHANK • 2 FLUTE WITH BALL BEARING GUIDE



R	ØD	B	Ød	L	Tool No.
15/64"	2-1/4"	1-7/8"	1/2"	4"	390-10 ¹²

Replacement Bearing Part No. 47706.
Replacement Screw Part No. 500-10.

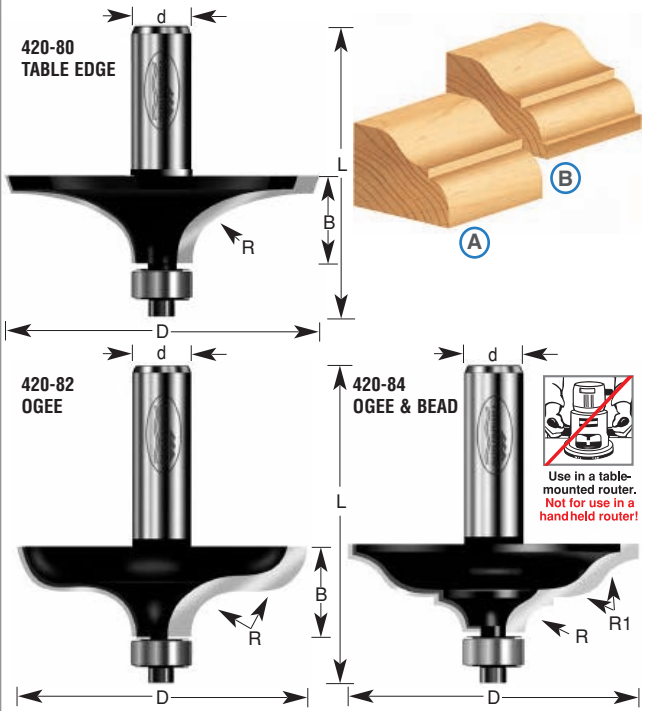


WARNING: Maximum RPM ¹² = 12,000

TABLE EDGE BITS PERFILAR

NEW

1/2" SHANK • 2 FLUTE WITH BALL BEARING GUIDE



R	R1	ØD	B	Ød	L	Tool No.
1-3/4"	—	2-3/4"	5/8"	1/2"	2-1/2"	420-80 ¹⁶
3/8"	—	2-1/2"	3/4"	1/2"	2-3/4"	420-82 ¹⁶
3/8"	1/4"	2-1/2"	3/4"	1/2"	2-3/4"	420-84 ¹⁶

- (A) Standard 1/2" bearing #47706 (included).
- (B) Optional 3/8" bearing #47702 (order separately).

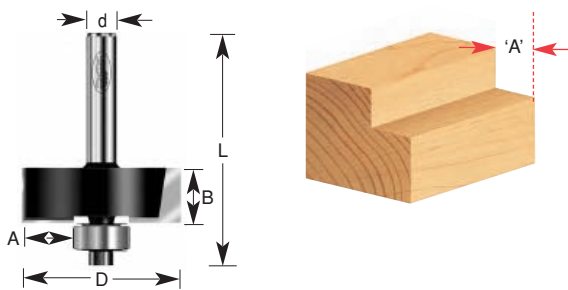
WARNING: Maximum RPM ¹⁶ = 16,000

MULTI-RABBET SETS JUEGOS REBAJADORES

NEW

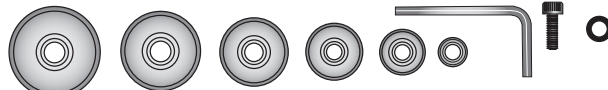
1/4" & 1/2" SHANK • 2 FLUTE WITH BALL BEARING GUIDE

The Multi-Rabbet bit steps in 1/16" increments from a 1/8" cut width to 1/2", simply by switching ball-bearing guides. Six different bearings are provided. Depth of cut capacity of 1/2". Use in any handheld or table-mounted router.

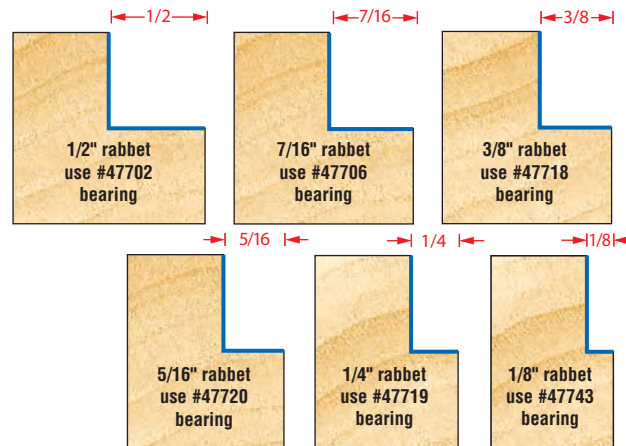


ØD	'A'	B	Ød	L	Tool No.
1-3/8"	1/8", 1/4", 5/16", 3/8", 7/16", 1/2"	1/2"	1/4"	2"	210-10 ¹⁸
1-3/8"	1/8", 1/4", 5/16", 3/8", 7/16", 1/2"	1/2"	1/2"	2-3/8"	210-12 ¹⁸

#6000: Complete replacement kit including 6 bearings, hex key, washer & screw.
Screw #67094. Washer #67202.



WARNING: Maximum RPM ¹⁸ = 18,000



ABOVE MULTI-RABBET
WOOD SAMPLES 1:1

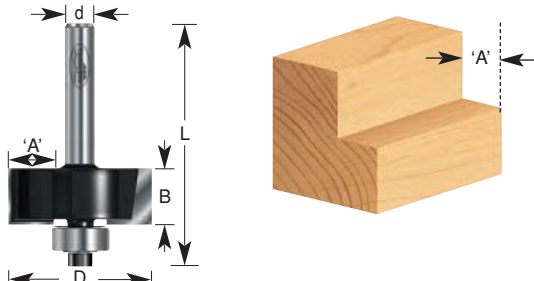
Replacement Parts:

'A'	Ø	Bearing
1/2" Rabbet	3/8"	47702
7/16" Rabbet	1/2"	47706
3/8" Rabbet	5/8"	47718
5/16" Rabbet	3/4"	47720
1/4" Rabbet	7/8"	47719
1/8" Rabbet	1-1/8"	47743

RABBETING BITS

REBAJES/ENCAJES CON RODAMIENTO

1/4" & 1/2" SHANK • 2 FLUTE WITH BALL BEARING GUIDE



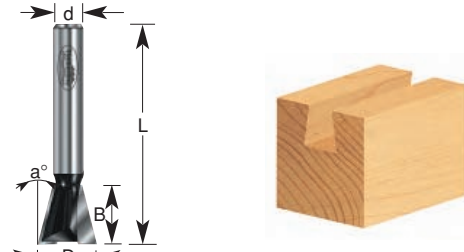
ØD	'A'	B	Ød	L	Tool No.
1-1/4"	3/8"	1/2"	1/4"	2"	260-10 ¹⁸
1-1/4"	3/8"	1/2"	1/2"	2-3/8"	260-14 ¹⁸

Replacement Bearing Part No. 47706
Replacement Screw Part No. 500-10

DOVETAIL

COLA MILANO

1/4" & 1/2" SHANK • 2 FLUTE



a°	ØD	B	Ød	L	Tool No.
9°	3/8"	3/8"	1/4"	1-3/4"	150-08
14°	1/2"	1/2"	1/4"	1-3/4"	150-10
9°	3/8"	3/8"	1/2"	2-3/16"	150-12
14°	1/2"	1/2"	1/2"	2-3/8"	150-14
7°	7/8"	7/8"	1/2"	2-3/8"	150-20

RABBET SET

JUEGO REBAJADOR CON RODAMIENTO

1/2" SHANK • 2 FLUTE WITH BALL BEARING GUIDE

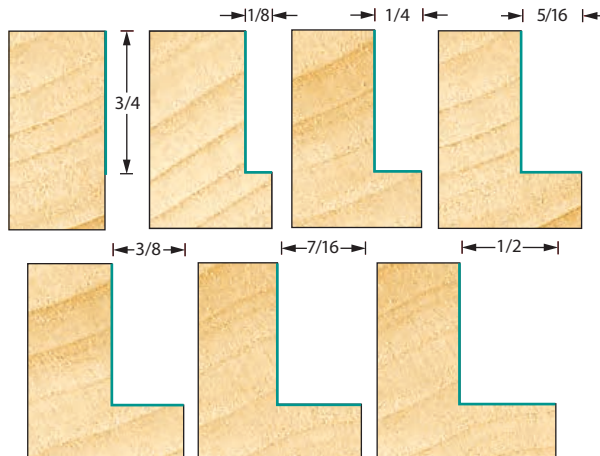
Our Multi-Depth Rabbet Set is perfect for any size cabinet shop. Micro-grain carbide tips, a 3/4" cutting length with an aggressive shear for chip-free cutting in today's "highly abrasive" materials. Cuts 7 sizes ranging from flush to 1/2" rabbet.



ØD	'A' (Rabbet Depth)	B	Ød	L	Tool No.
1-3/8"	Multi-Depth Rabbet Set Rabbets: Flush, 1/8", 1/4", 5/16", 3/8", 7/16", 1/2"	3/4"	1/2"	2-15/16"	260-40 ¹⁸

Replacement Screw Part No. 500-10

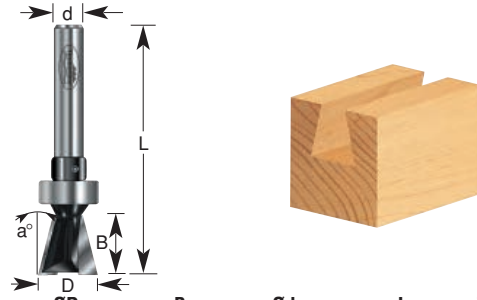
WARNING: Maximum RPM ¹⁸ = 18,000



DOVETAIL

COLA MILANO CON RODAMIENTO

1/4" SHANK • 2 FLUTE WITH UPPER BALL BEARING GUIDE



a°	ØD	B	Ød	L	Tool No.
14°	1/2"	1/2"	1/4"	2-1/4"	150-70

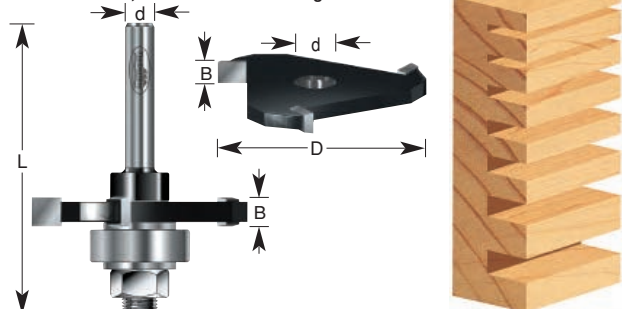
Replacement Bearing Part No. 47701
Replacement Collar Part No. 47724

SLOTING CUTTER ASSEMBLIES

CORTADORA DE RANURADO-3 ALAS

NEW
ADDITIONAL SIZES

1/4" SHANK • 3-WING WITH BALL BEARING GUIDE
Includes cutter, arbor and ball bearing.



ØD	B	3-Wing Cutter Only	Ød	L	Complete Tool No.
1-7/8"	1/16"	270-40	1/4"	2-1/8"	270-10
1-7/8"	5/64"	270-42	1/4"	2-1/8"	270-20
1-7/8"	3/32"	270-44	1/4"	2-1/8"	270-22
1-7/8"	1/8"	270-46	1/4"	2-1/8"	270-12
1-7/8"	5/32"	270-48	1/4"	2-1/8"	270-14
1-7/8"	3/16"	270-50	1/4"	2-1/8"	270-24
1-7/8"	1/4"	270-52	1/4"	2-1/8"	270-16

Replacement Bearing Part No. 47708.



ROUTER BITS CARBIDE TIPPED



SLOTING CUTTER RANURADO

NEW

1/2" SHANK • 3-WING

Use in a table-mounted router.
Not for use in a handheld router!

ØD	B	Ød	L	Tool No.
2-1/8"	3MM	1/2"	2-13/64"	270-34

KEYHOLE OJO DE CERRADURA

1/4" SHANK • SINGLE FLUTE

ØD	B	Ød	L	Tool No.
3/8"	3/8"	1/4"	1-1/2"	140-10
1/2"	3/8"	1/4"	1-1/2"	140-14

TONGUE & GROOVE ASSEMBLY LENGUETA Y RANURA

1/2" SHANK • 2 FLUTE WITH BALL BEARING GUIDE
One bit set includes: 2 cutters, 2 bearings and 1 arbor.

FOR/PARA MATERIAL 5/8" MATERIALES

Use in a table-mounted router.
Not for use in a handheld router!

A'	ØD	B	Ød	L	Tool No.
3/8"	1-5/8"	3/4"	1/2"	3"	460-10

Replacement Bearing Part No. 47708.

2-PIECE TONGUE & GROOVE SET LENGUETA Y RANURA

NEW

1/2" SHANK • 2 FLUTE WITH BALL BEARING GUIDE

FOR/PARA MATERIAL 5/8" to 1" MATERIALES

Use in a table-mounted router.
Not for use in a handheld router!

A'	ØD	B	Ød	L	Tool No.
1/4" & 1/2"	1-3/4"	1-1/8"	1/2"	2-3/4"	440-32

Replacement Bearing Part No. 47763 and 47708.

45° LOCK MITER ENSAMBLE

1/2" SHANK • 2 FLUTE

First piece is cut flat (horizontal) and the second is cut perpendicular (vertical) to the first for a perfect fit. There is no need to re-align the router depth, provided that the wood is centered to the cutting edge of the bit. Not recommended for use in a pin router nor a router table unless the length of your material can be handled easily.

Use in a table-mounted router.
Not for use in a handheld router!

ØD	B	Ød	L	Tool No.
2-11/16"	1-3/16"	1/2"	2-5/8"	490-10

GLUE JOINT ENSAMBLE

1/2" SHANK • 2 FLUTE

Second piece is cut 'upside-down' to the first for a perfect fit. There is no need to realign the router depth, provided that the wood is centered to the cutting edge of the bit. For 5/8" through 1" material.

Use in a table-mounted router.
Not for use in a handheld router!

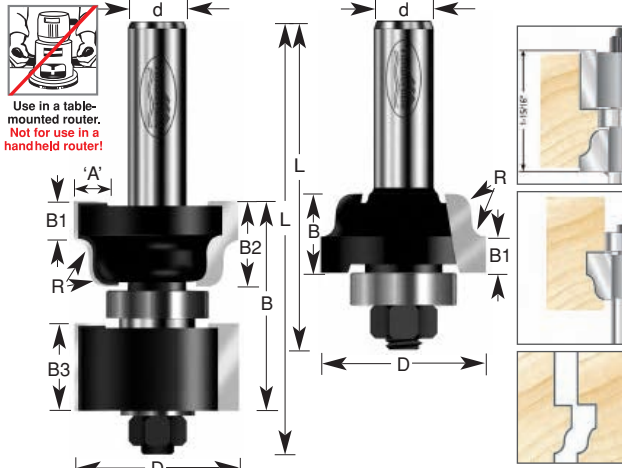
ØD	B	Ød	L	Tool No.
1-7/8"	1-3/32"	1/2"	2-5/8"	470-10

OGEE WINDOW SASH & RAIL
MARCOS DE VENTANAS

NEW

1/2" SHANK • 2-WING WITH BALL BEARING GUIDE

This reversible assembly is designed to cut window sash and glass door parts, including rails, stiles, mullions, and muntins, on stock between 1-1/8" and 1-3/4" thick. Assembly includes an ogee profile cutter, a rabbet cutter, one bearing, a 1/2" shank arbor, spacers, shims, and washers. Configure as shown in the drawing to cut profile and rabbet on all parts. Switch bearing and profile cutter and replace rabbet cutter with spacers to rout the copes. Use in a table-mounted router.



'A'	R	ØD	B	B1	B2	B3	Ød	L	Tool No.
1/4"	1/8"	1-3/8"	1-13/16"	5/16"	5/8"	7/8"	1/2"	3-3/4"	420-60
—	1/8"	1-3/8"	43/64"	5/16"	—	—	1/2"	2-3/4"	420-61

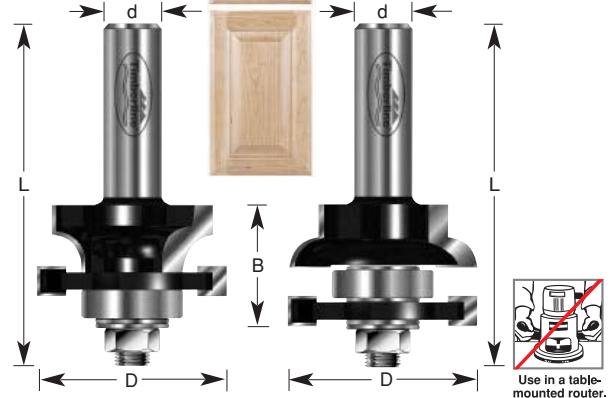
WARNING: Maximum RPM Δ_{18} = 18,000

2-PIECE CONCAVE STILE & RAIL SET
2 PIEZAS MOLDURA Y RIEL

1/2" SHANK • 2 FLUTE WITH BALL BEARING GUIDE



FOR/PARA MATERIAL 5/8" to 1" MATERIALES



ØD	B	Ød	L	Tool No.
1-5/8"	1-1/16"	1/2"	3-5/16"	440-14

Replacement Bearing Part No. 47708.

WARNING: Maximum RPM Δ_{18} = 18,000

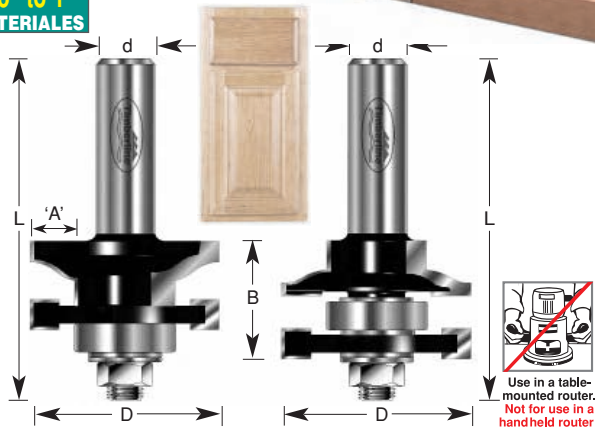
2-PIECE OGEE STILE & RAIL SET
2 PIEZAS MOLDURA Y RIEL

NEW
ADDITIONAL SIZES

1/2" SHANK • 2 FLUTE WITH BALL BEARING GUIDE



FOR/PARA MATERIAL 5/8" to 1" MATERIALES



'A'	ØD	B	Ød	L	Tool No.
7/16"	1-5/8"	1-1/16"	1/2"	3-5/16"	440-18
7/16"	1-3/4"	57/64"	1/2"	3"	440-19

Replacement Bearing Part No. 47708.

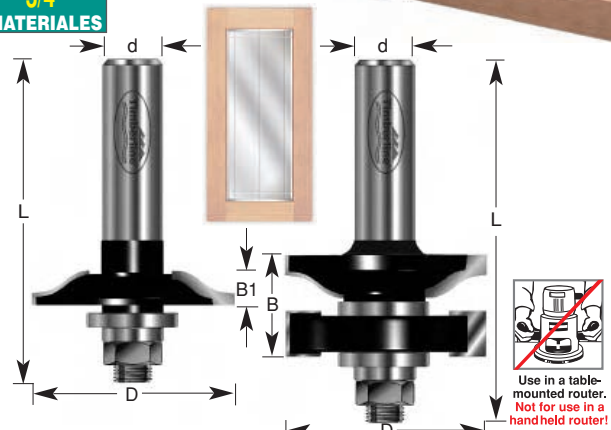
2-PIECE GLASS DOOR SET - OGEE PROFILE
2 PIEZAS MOLDURA Y RIEL

NEW

1/2" SHANK • 2 FLUTE WITH BALL BEARING GUIDE



FOR/PARA MATERIAL 3/4" MATERIALES



ØD	B	B1	Ød	L	Tool No.
1-5/8"	27/32"	7MM	1/2"	3"	440-34

Replacement Bearing Part No. 47721.



ROUTER BITS CARBIDE TIPPED



2-PIECE BEAD STILE & RAIL SET

2 PIEZAS MOLDURA Y RIEL

1/2" SHANK • 2 FLUTE WITH BALL BEARING GUIDE



Replacement Bearing Part No. 47708.

⚠ **WARNING:** Maximum RPM \triangle_{18} = 18,000

2-PIECE SHAKER STILE & RAIL SET

2 PIEZAS MOLDURA Y RIEL

NEW

1/2" SHANK • 2 FLUTE WITH BALL BEARING GUIDE



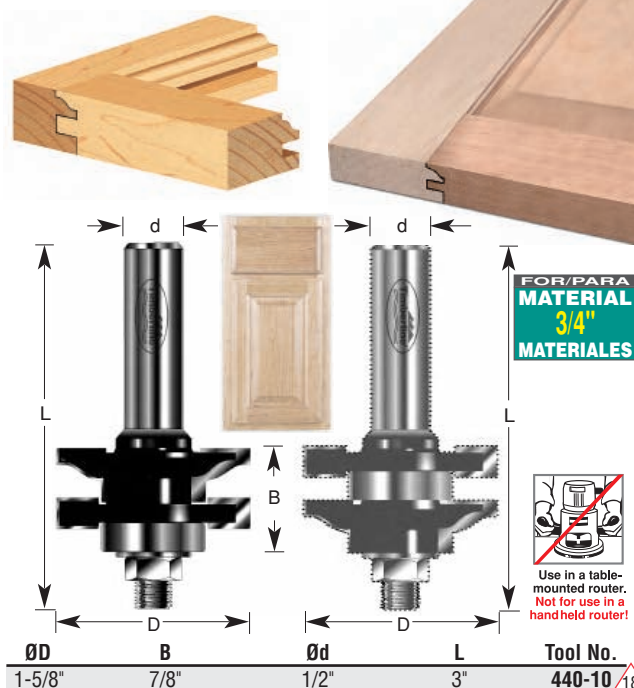
Replacement Bearing Part No. 47708.

⚠ **WARNING:** Maximum RPM \triangle_{18} = 18,000

REVERSIBLE OGEE STILE & RAIL

REVERSIBLE MOLDURA Y RIEL

1/2" SHANK • 2 FLUTE WITH BALL BEARING GUIDE



Replacement Bearing Part No. 47708.

⚠ **WARNING:** Maximum RPM \triangle_{18} = 18,000

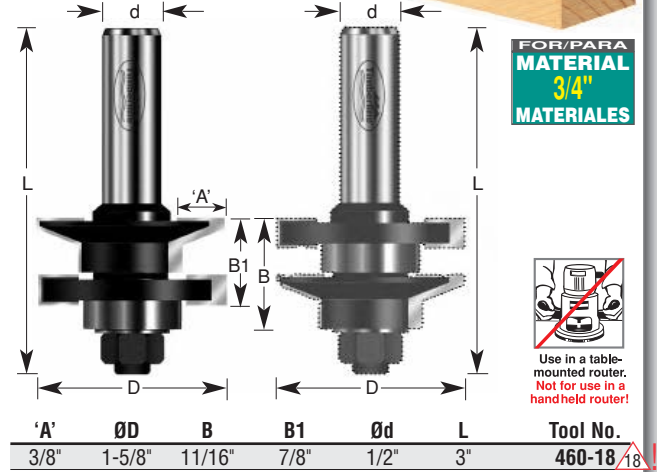
REVERSIBLE TRADITIONAL STILE & RAIL

REVERSIBLE MOLDURA Y RIEL

NEW

1/2" SHANK • 2-WING WITH BALL BEARING GUIDE

Cut both the stiles and rails with a single economical assembly. Switch from the stile cut to the rail cut simply by rearranging the cutters and bearing on the arbor. Because the profile and the cope are cut with the same cutter, you get a perfect fit. The assembly order for each setup is shown in the drawing. Use in a table-mounted router. Guide straight cuts with the fence; use the pilot bearing only for cuts on curved rails or stiles.



Note: Stile & Rail assemblies can be used on 5/8" through 7/8" material.

Tongue & Groove can be used on 1/2" through 3/4" material.

Replacement Bearing Part No. 47708.

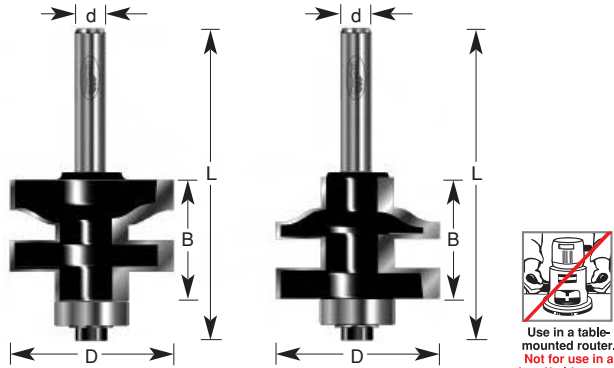
2-PIECE OGEE STILE & RAIL SET

2 PIEZAS MOLDURA Y RIEL

1/4" SHANK • 2 FLUTE WITH BALL BEARING GUIDE



FOR/PARA MATERIAL 5/8" to 7/8" MATERIALES



ØD	B	Ød	L	Tool No.
1-3/8"	1"	1/4"	3"	440-24 ¹⁸

Replacement Bearing Part No. 47712.
Replacement Screw Part No. 500-10.

WARNING: Maximum RPM ¹⁸ = 18,000

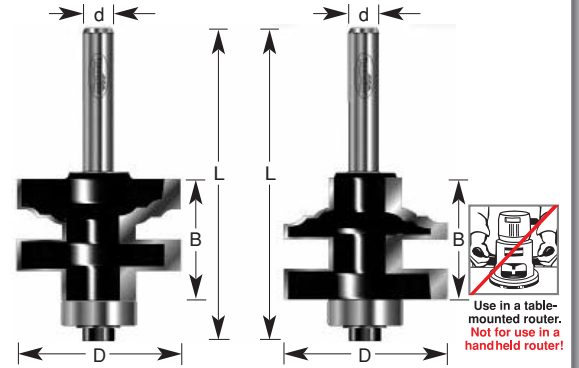
2-PIECE CLASSICAL STILE & RAIL SET

2 PIEZAS MOLDURA Y RIEL

1/4" SHANK • 2 FLUTE WITH BALL BEARING GUIDE



FOR/PARA MATERIAL 5/8" to 7/8" MATERIALES



ØD	B	Ød	L	Tool No.
1-3/8"	1"	1/4"	3"	440-26 ¹⁸

Replacement Bearing Part No. 47712.
Replacement Screw Part No. 500-10.

WARNING: Maximum RPM ¹⁸ = 18,000

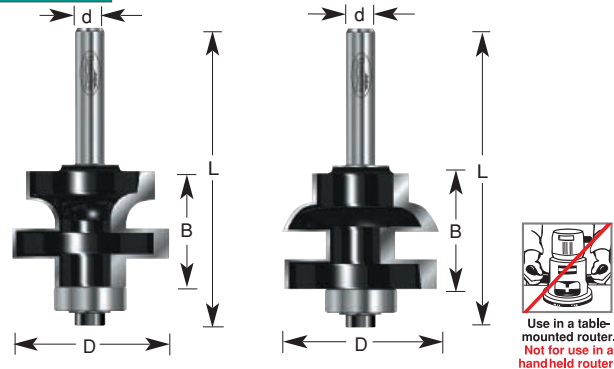
2-PIECE CONCAVE STILE & RAIL SET

2 PIEZAS MOLDURA Y RIEL

1/4" SHANK • 2 FLUTE WITH BALL BEARING GUIDE



FOR/PARA MATERIAL 5/8" to 7/8" MATERIALES



ØD	B	Ød	L	Tool No.
1-3/8"	1"	1/4"	3"	440-28 ¹⁸

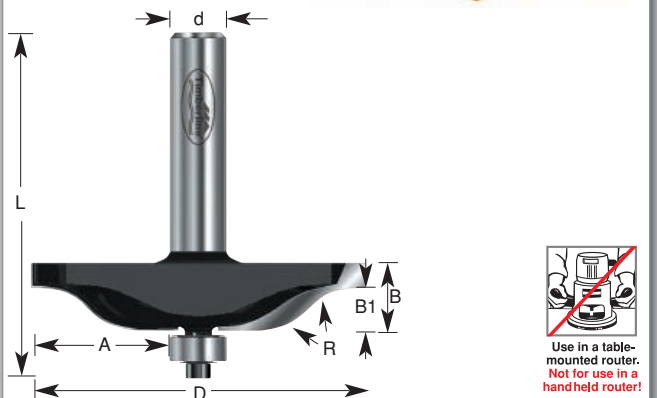
Replacement Bearing Part No. 47712.
Replacement Screw Part No. 500-10.

WARNING: Maximum RPM ¹⁸ = 18,000

RAISED PANEL - OGEE

PANEL DE PUERTA

1/2" SHANK • 2 FLUTE WITH BALL BEARING GUIDE



'A'	R	ØD	B	B1	Ød	L	Tool No.
1-1/16"	3/4"	2-5/8"	5/8"	5/16"	1/2"	2-1/2"	420-10 ¹⁶
1-7/16"	7/8"	3-3/8"	9/16"	3/8"	1/2"	2-1/2"	420-22 ¹²

Replacement Bearing Part No. 47706.
Replacement Screw Part No. 500-10.

WARNING: Maximum RPM ¹² = 12,000 ¹⁶ = 16,000

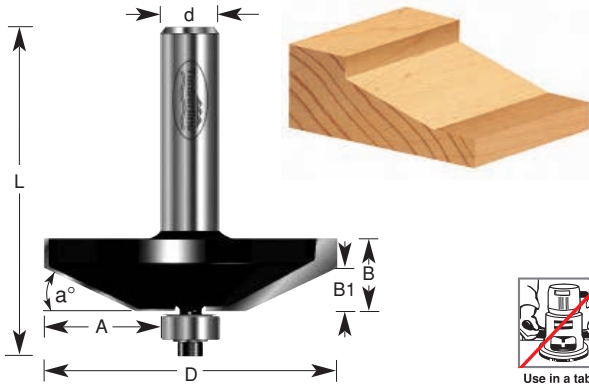


ROUTER BITS CARBIDE TIPPED

CARBIDE TIPPED ROUTER BITS

RAISED PANEL - TRADITIONAL PANEL DE PUERTA

1/2" SHANK • 2 FLUTE WITH BALL BEARING GUIDE



Use in a table-mounted router.
Not for use in a handheld router!

a°	'A'	ØD	B	B1	Ød	L	Tool No.
15°	1-7/16"	3-3/8"	1/2"	5/16"	1/2"	2-15/32"	420-30

Replacement Bearing Part No. 47706.
Replacement Screw Part No. 500-10.

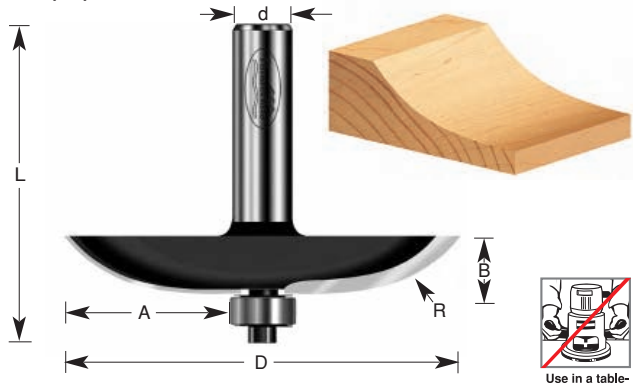
WARNING: Maximum RPM = 12,000

COVE RAISED PANEL PANEL DE PUERTA

NEW

1/2" SHANK • 2 FLUTE WITH BALL BEARING GUIDE

Create raised panels for cabinet doors, frame-and-panel furniture, and architectural paneling with a raised-panel bit. The cutter forms a fillet to delineate the raised field, a shaped band around the field, and an integral tongue to fit the panel groove in the frame members. The profile contour and the reveal width varies. Must be used in a table-mounted 3+ horsepower router and run at reduced speed. Use this bit for panels with curved edges. Multiple passes recommended.



Use in a table-mounted router.
Not for use in a handheld router!

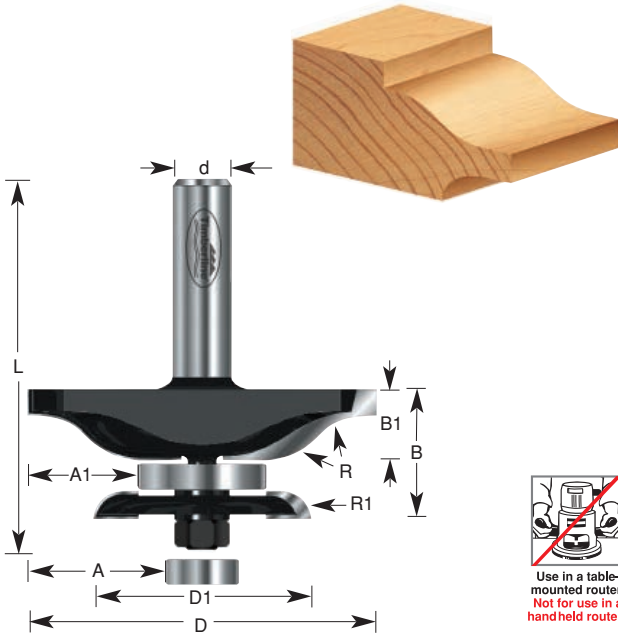
'A'	R	ØD	B	Ød	L	Tool No.
1-7/16"	1-9/16"	3-3/8"	1/2"	1/2"	2-3/8"	460-12
1-1/2"	1-37/64"	3-1/2"	21/32"	1/2"	2-9/16"	460-13

Replacement Bearing Part No. 47706.

WARNING: Maximum RPM = 12,000

RAISED PANEL - Ogee W/BACK CUTTER PANEL DE PUERTA CON CORTADORA

1/2" SHANK • 2 FLUTE WITH BALL BEARING GUIDE



Use in a table-mounted router.
Not for use in a handheld router!

'A'	'A1'	R	R1	ØD	ØD1	B	B1	Ød	L	Tool No.
1-3/8"	1-1/16"	7/8"	5/16"	3-3/8"	2-1/8"	1-3/16"	5/8"	1/2"	3-1/16"	420-50

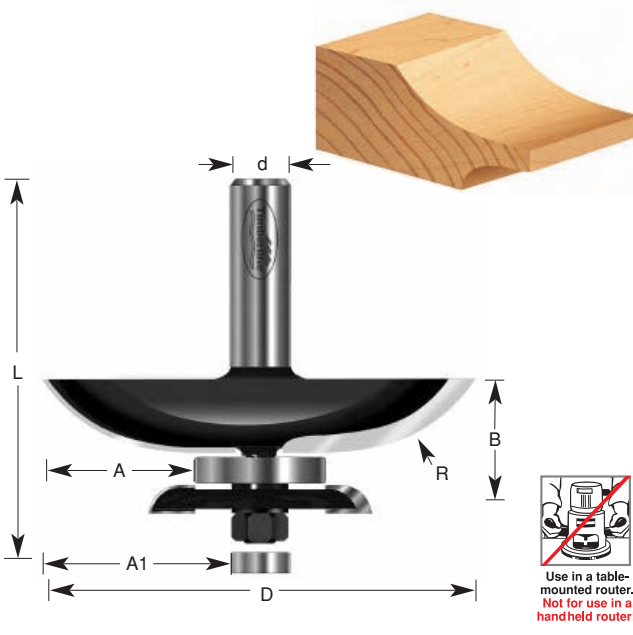
Replacement Bearing Part No. 47713 (8mm x 16mm) for 'A' reveal.
Replacement Bearing Part No. 47763 (8mm x 1-1/4") included for 'A1' reveal.

WARNING: Maximum RPM = 12,000

RAISED PANEL - COVE W/BACK CUTTER PANEL DE PUERTA CON CORTADORA

NEW

1/2" SHANK • 2 FLUTE WITH BALL BEARING GUIDE



Use in a table-mounted router.
Not for use in a handheld router!

'A'	'A1'	R	ØD	B	Ød	L	Tool No.
1-1/8"	1-29/64"	1-37/64"	3-1/2"	1-1/4"	1/2"	3-1/16"	420-52

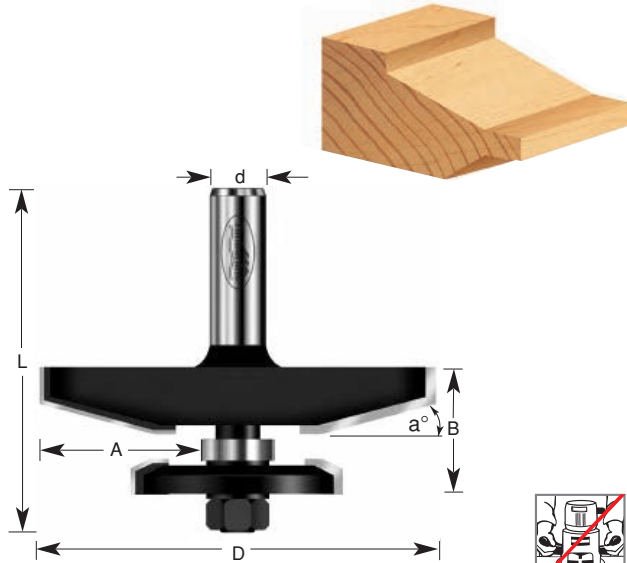
Replacement Bearing Part No. 47708 (7/8" x 5/16") for 'A' reveal.
Replacement Bearing Part No. 47763 (8mm x 1-1/4") included for 'A1' reveal.

WARNING: Maximum RPM = 12,000

RAISED PANEL-TRADITIONAL W/BACK CUTTER
PANEL DE PUERTA CON CORTADORA

NEW

1/2" SHANK • 2 FLUTE WITH BALL BEARING GUIDE



Use in a table-mounted router.
 Not for use in a handheld router!

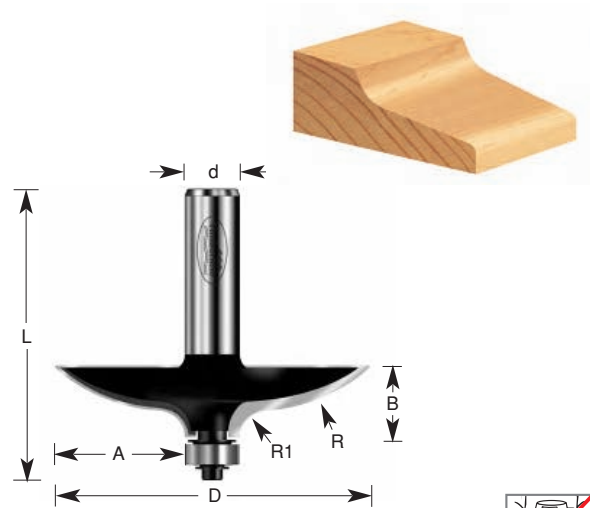
a°	'A'	ØD	B	Ød	L	Tool No.
15°	1-7/16"	3-1/2"	1-1/8"	1/2"	3"	420-54 ¹²

WARNING: Maximum RPM ¹² = 12,000

TABLE DRAW EDGE BIT
PERFILAR

NEW

1/2" SHANK • 2 FLUTE WITH BALL BEARING GUIDE



Use in a table-mounted router.
 Not for use in a handheld router!

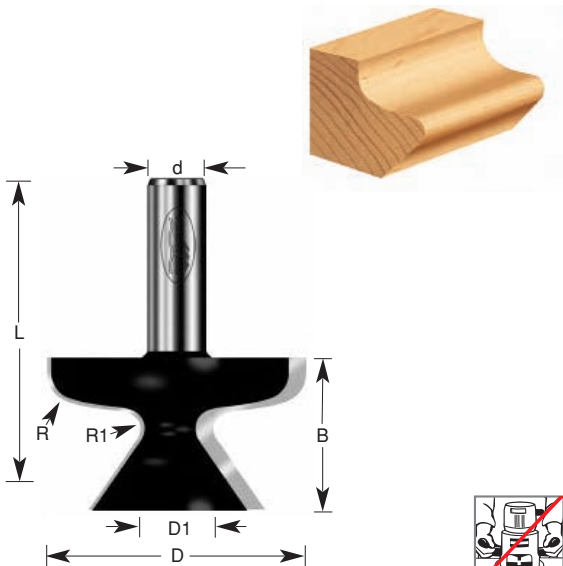
'A'	R	R1	ØD	B	Ød	L	Tool No.
1-3/16"	1-9/16"	1/4"	2-7/8"	5/8"	1/2"	2-5/8"	450-76 ¹⁶

WARNING: Maximum RPM ¹⁶ = 16,000

FINGER GRIP
AGARRE DE PUERTA

NEW

1/2" SHANK • 2 FLUTE



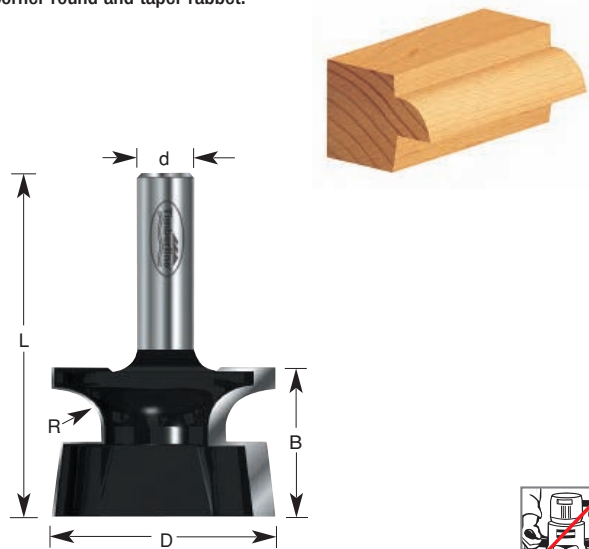
Use in a table-mounted router.
 Not for use in a handheld router!

R	R1	ØD	ØD1	B	Ød	L	Tool No.
1/4"	3/16"	2"	3/4"	1-1/4"	1/2"	2-3/4"	480-20 ¹⁸

WARNING: Maximum RPM ¹⁸ = 18,000

DOOR LIP
AGARRE DE PUERTA

1/2" SHANK • 2 FLUTE
 Corner round and taper rabbet.



Use in a table-mounted router.
 Not for use in a handheld router!

R	ØD	B	Ød	L	Tool No.
3/8"	2"	1-3/16"	1/2"	2-3/4"	480-10 ¹⁸

WARNING: Maximum RPM ¹⁸ = 18,000



ROUTER BITS CARBIDE TIPPED

ROUTER BIT SETS JUEGO DE BROCAS/FRESAS



All Timberline® Sets are packaged in a beautifully designed storage case to keep your bits safe, clean and easy to find for many years of use.

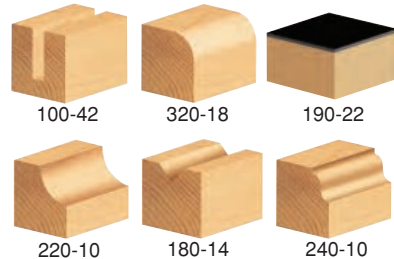
6-PIECE ALL PURPOSE SET 6-PIEZAS JUEGO DE BROCAS/FRESAS

TRS-240 • 1/4" SHANK

Consists of one each of the following:

Description	Tool No.
1/2" Dia. Straight bit, 1" cutting length	100-42
1/4" Radius Corner Round bit	320-18
1/2" Dia. Flush Trim bit, 1/2" cutting length	190-22
1/4" Radius Cove bit	220-10
90° 'V' Groove bit, 1/2" cutting length	180-14
5/32" Radius Roman Ogee bit	240-10

Custom-made hardwood storage case included.
For detailed tool specifications, see router bit section of catalog.



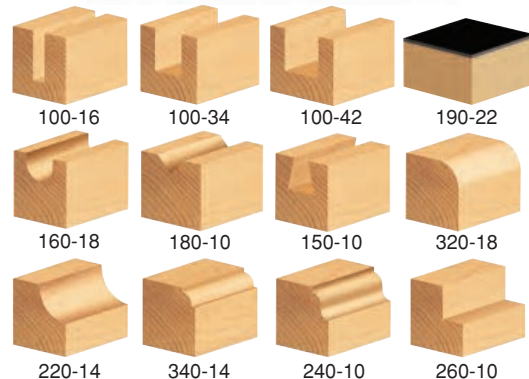
12-PIECE ROUTER BIT SET 12-PIEZAS JUEGO DE BROCAS/FRESAS

TRS-120 • 1/4" SHANK

Consists of one each of the following:

Description	Tool No.
1/4" Dia. Plunge bit, 3/4" cutting length	100-16
3/8" Dia. Plunge bit, 1" cutting length	100-34
1/2" Dia. Plunge bit, 1" cutting length	100-42
1/2" Dia. Flush Trim, 1/2" cutting length	190-22
1/2" Dia. Core Box, 3/8" cutting length	160-18
1/4" Radius, 90° 'V' Groove, 7/16" cutting length	180-10
1/2" Dia. 14° Dovetail, 1/2" cutting length	150-10
1/4" Radius Corner Round, 1/2" cutting length	320-18
1-1/8" Dia. Cove bit, 1/2" cutting length	220-14
1/4" Radius Beading bit, 1/2" cutting length	340-14
5/32" Radius Roman Ogee, 15/32" cutting length	240-10
Rabbeting, 3/8" depth of cut	260-10

Custom-made hardwood storage case included.
For detailed tool specifications, see router bit section of catalog.



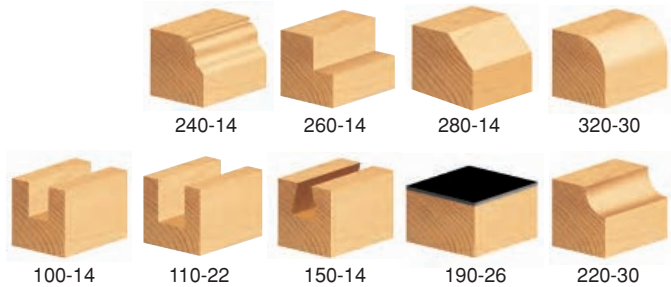
11-PIECE STARTER SET
11-PIEZAS JUEGO DE BROCAS/FRESAS

TRS-170 • 1/2" SHANK

Consists of one each of the following:

Description	Tool No.
3/16" Dia. Straight Plunge bit, 1/4" cutting length	100-14
1/2" Dia. Straight Plunge bit, 1-1/4" cutting length	110-22
1/2" Dia. 14° Dovetail bit, 1/2" cutting length	150-14
1/2" Dia. Flush Trim bit, 1" cutting length	190-26
3/8" Radius Cove bit	220-30
5/32" Radius Roman Ogee bit	240-14
3/8" Depth Rabbet bit, 1/2" cutting length	260-14
45° Chamfer bit	280-14
3/8" Radius Corner Round bit	320-30
3/16" x 3/8" Bearing (Changes #320-30 to bead bit)	47702
Allen key	5000

Custom-made hardwood storage case included.
For detailed tool specifications, see router bit section of catalog.



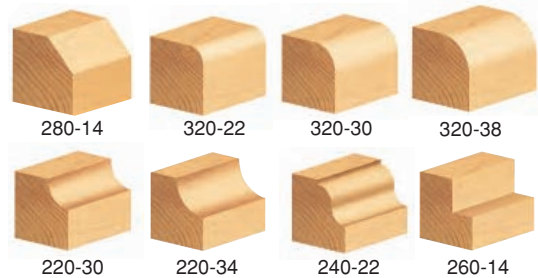
8-PIECE PROFILE SET
8-PIEZAS JUEGO DE BROCAS/FRESAS

TRS-180 • 1/2" SHANK

Consists of one each of the following:

Description	Tool No.
3/8" Radius Cove bit	220-30
1/2" Radius Cove bit	220-34
1/4" Radius Roman Ogee bit	240-22
Rabbet bit 3/8" depth of cut	260-14
45° Chamfer bit	280-14
1/4" Radius Corner Round bit	320-22
3/8" Radius Corner Round bit	320-30
1/2" Radius Corner Round bit	320-38

Custom-made hardwood storage case included.
For detailed tool specifications, see router bit section of catalog.



3-PIECE OGEE RAISED PANEL DOOR MAKING SET
3-PIEZAS JUEGO DE BROCAS/FRESAS

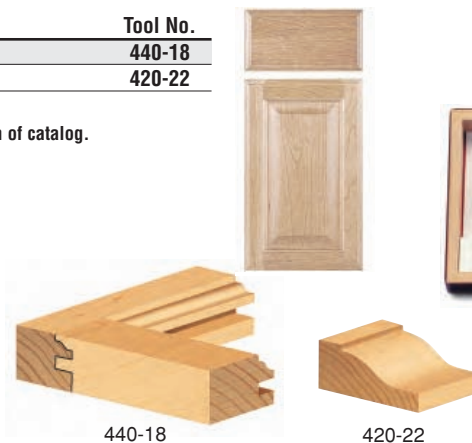
TRS-260 • 1/2" SHANK

Consists of one each of the following:

Description	Tool No.
1-5/8" Dia. 2-piece Ogee Stile & Rail	440-18
3-3/8" Dia. Ogee Raised Panel bit	420-22

Custom-made hardwood storage case included.
For detailed tool specifications, see router bit section of catalog.

**FOR/PARA
MATERIAL
5/8" - 1"
MATERIALES**



3-PIECE OGEE RAISED PANEL DOOR MAKING SET W/BACK CUTTER

3-PIEZAS JUEGO DE BROCAS/FRESAS

TRS-250 • 1/2" SHANK

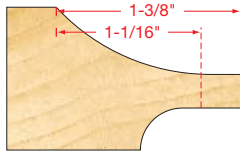
Consists of one each of the following:

Description	Tool No.
1-5/8" Dia. 2-piece Ogee Stile & Rail	440-18
3-3/8" Dia. Ogee Raised Panel bit w/back cutter	420-50*

*Includes extra ball bearing No. 47713

Custom-made hardwood storage case included.

For detailed tool specifications, see router bit section of catalog.



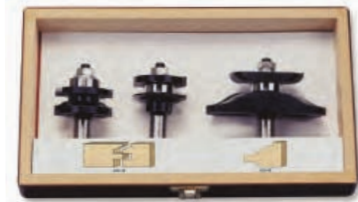
440-18



FOR/PARA
MATERIAL
5/8" - 1"
MATERIALES



420-50



3-PIECE COVE RAISED PANEL DOOR MAKING SET W/BACK CUTTER **NEW**

3-PIEZAS JUEGO DE BROCAS/FRESAS

TRS-270 • 1/2" SHANK

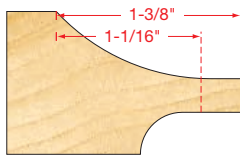
This easy-to-use set combines the two piece stile-and-rail cutter set with a large-diameter horizontal panel-raising bit with back cutter that produces a 1-7/16" reveal. Both joinery-cutters and the panel-raiser feature the cove profile. Use only in a table-mounted router; the panel-raiser must be run at reduced RPM's.

Consists of one each of the following:

Description	Tool No.
1-3/4" Dia. 2-piece Ogee Stile & Rail bit	440-19
3-1/2" Dia. Cove Raised Panel bit w/back cutter	420-52

Custom-made hardwood storage case included.

For detailed tool specifications, see router bit section of catalog.



440-19



FOR/PARA
MATERIAL
5/8" - 3/4"
MATERIALES



420-52



3-PIECE COVE RAISED PANEL DOOR MAKING SET **NEW**

3-PIEZAS JUEGO DE BROCAS/FRESAS

TRS-280 • 1/2" SHANK

This easy-to-use set combines the two piece stile-and-rail cutter set with a large-diameter horizontal panel-raising bit that produces a 1-7/16" reveal. Both joinery-cutters and the panel-raiser feature the cove profile. Use only in a table-mounted router; the panel-raiser must be run at reduced RPM's.

Consists of one each of the following:

Description	Tool No.
1-3/4" Dia. 2-piece Ogee Stile & Rail bit	440-19
3-1/2" Dia. Cove Raised Panel bit	460-13

Custom-made hardwood storage case included.

For detailed tool specifications, see router bit section of catalog.



440-19



FOR/PARA
MATERIAL
5/8" - 3/4"
MATERIALES



460-13



3-PIECE SHAKER RAISED PANEL CABINET DOOR MAKING SET W/ BACK CUTTER
 3-PIEZAS JUEGO DE BROCAS/FRESAS

NEW

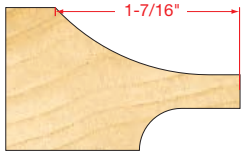
TRS-230 • 1/2" SHANK

Designed for the simple shaker look for your mission-style doors, cabinets or furniture.

Consists of one each of the following:

Description	Tool No.
1-3/4" Dia. 2-piece Shaker pattern/cope cutters	440-16
3-1/2" Dia. Shaker Raised Panel w/back cutter	420-54

Custom-made hardwood storage case included.
 For detailed tool specifications, see router bit section of catalog.



440-16



FOR/PARA
MATERIAL
 5/8" - 7/8"
MATERIALES



420-54



6-PIECE CABINET DOOR MAKING SET
 6-PIEZAS JUEGO DE BROCAS/FRESAS

NEW

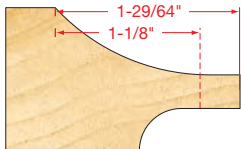
TRS-140 • 1/2" SHANK

This set enables you to construct your own beautiful arched raised panel doors with 6 of the most popular professional quality router bits.

Consists of one each of the following:

Description	Tool No.
1-3/4" Dia. Ogee bit	450-88
2-7/8" Dia. Draw Edge bit	450-76
3/4" Dia. Flush Trim, 1" cutting length	190-51
3-1/2" Dia. Cove Raised Panel w/back cutter	420-52
1-3/4" Dia. 2-piece Ogee Stile & Rail	440-19

Custom-made hardwood storage case included.
 For detailed tool specifications, see router bit section of catalog.



450-88



450-76



190-51



420-52



440-19



FOR/PARA
MATERIAL
 5/8" - 7/8"
MATERIALES



3-PIECE TONGUE & GROOVE CABINET DOOR MAKING SET
 3-PIEZAS JUEGO DE BROCAS/FRESAS

NEW

TRS-130 • 1/2" SHANK

Good for wood thickness from 1/2" - 1-1/8" thick.

Consists of one each of the following:

Description	Tool No.
1/2" Dia. Flush Trim, 1/2" cutting length	190-24
1-3/4" Dia. Tongue & Groove Set	440-32

Includes (2) extra bearings No. 47708
 Custom-made hardwood storage case included.
 For detailed tool specifications, see router bit section of catalog.



440-32



190-24



FOR/PARA
MATERIAL
 1/2" - 1-1/8"
MATERIALES



5-PIECE CABINET DOOR MAKING SET
5-PIEZAS JUEGO DE BROCAS/FRESAS

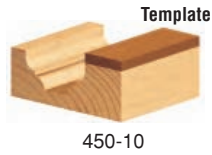
TRS-150 • 1/2" SHANK

Consists of one each of the following:

Description	Tool No.
1-3/8" Dia. Classical Plunge, 9/16" cutting length	450-10
3/4" Rad. Corner Round	320-42
2-5/8" Dia. Ogee Raised Panel, 5/8" cutting length	420-10
1-5/8" Dia. Ogee Stile & Rail Set, 1-1/16" cutting length	440-18

Custom-made hardwood storage case included.
For detailed tool specifications, see router bit section of catalog.

FOR/PARA
MATERIAL
5/8" - 1"
MATERIALES



5-PIECE DOOR MAKING SET
5-PIEZAS JUEGO DE BROCAS/FRESAS

TRS-100 • 1/2" SHANK

Consists of one each of the following:

Description	Tool No.
1-7/8" Dia. Glue Joint, 1-1/2" cutting length	470-10
2" Dia. Door Lip, 1-3/16" cutting length	480-10
2-5/8" Dia. Raised Panel, 5/8" cutting length	420-10
1-5/8" Dia. Concave Stile & Rail Set, 1-1/16" cutting length	440-14

Custom-made hardwood storage case included.
For detailed tool specifications, see router bit section of catalog.

FOR/PARA
MATERIAL
5/8" - 1"
MATERIALES



3-PIECE GLASS PANEL DOOR MAKING SET
3-PIEZAS JUEGO DE BROCAS/FRESAS

TRS-210 • 1/2" SHANK

For the construction of straight and arched glass panel doors as well as divided light doors with muttons and mullions.

Consists of one each of the following:

Description	Tool No.
1-5/8" Dia. 2 piece Ogee Stile & Rail bit	440-34
2-1/8" Dia. Slot Glass Cutter	270-34

Custom-made hardwood storage case included.
For detailed tool specifications, see router bit section of catalog.

FOR/PARA
MATERIAL
3/4"
MATERIALES

NEW



MULTI 3-WING SLOT CUTTER SET **NEW**
JUEGO DE CORTADORAS MULTI-USO-3 ALAS

TRS-310 • 1/2" SHANK

For producing slots from 1/8" - 1-1/8" thick.



This Multi 3-Wing Slot Cutter set consists of the following:

Description	Tool No.
(1) 1/8" Kerf	270-46
(1) 5/32" Kerf	270-48
(1) 3/16" Kerf	270-50
(3) 1/4" Kerf	270-52
(2) 1/2" Dia. arbors with nuts and washers	270-60, 270-62
(4) Sealed bearings for depth control	47708, 47770, 47771, 47772

Custom-made hardwood storage case included. For detailed tool specifications, see router bit section of catalog.



HANDY 24-PIECE ROUTER BIT SET
24-PIEZAS JUEGO DE BROCAS/FRESAS

680-240 • 1/4" SHANK
CARBIDE TIPPED

- In a handy carrying/storage case (patent design pending)
- Heavy duty plastic case holds router bits securely for storage and transporting to work sites
- All the popular sizes in one convenient case



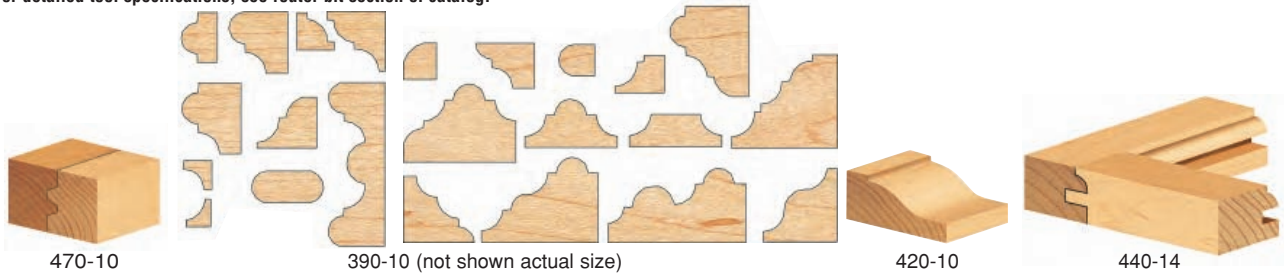
5-PIECE MOULDING SET
5-PIEZAS JUEGO DE BROCAS/FRESAS PARA MOLDURAS

TRS-200 • 1/2" SHANK

Consists of one each of the following:

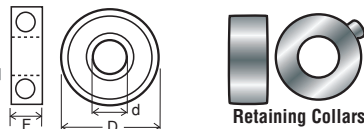
Description	Tool No.
1-7/8" Dia. Glue Joint, 1-1/2" cutting length	470-10
2-1/4" Dia. Multi-form, 1-7/8" cutting length	390-10
2-5/8" Dia. Raised Panel, 5/8" cutting length	420-10
1-5/8" Dia. Concave Stile & Rail Set, 1-1/16" cutting length	440-14

Custom-made hardwood storage case included. For detailed tool specifications, see router bit section of catalog.



STEEL BALL BEARING GUIDES
RODAMIENTOS

'Ød' Inside Dia.	'ØD' Outside Dia.	'F' Face Width	Part No.
1/8"	3/8"	.155 (5/32")	47704
3/16"	3/8"	.124 (1/8")	47702
3/16"	1/2"	.195 (3/16")	47706
3/16"	5/8"	.195 (3/16")	47718
3/16"	3/4"	.280 (9/32")	47720
3/16"	7/8"	.196 (3/16")	47719
3/16"	1-1/8"	.312 (5/16")	47743
5MM	16MM	5MM (3/16")	47716
1/4"	1/2"	.186 (3/16")	47701
1/4"	5/8"	.195 (3/16")	47712
1/4"	3/4"	.280 (9/32")	47714
5/16"	.865 (7/8")	.275 (9/32")	47708
5/16"	1-1/4"	.250	47763
8MM	16MM	5MM	47713
8MM	1"	1/4"	47770
8MM	1-1/8"	1/4"	47771



Retaining Collars

NOTE: Solvents should not be used to clean ball bearings, as this will deteriorate the special grease. 'Frozen' bearings (ones that do not rotate freely), should be replaced immediately.



'Ød' Inside Dia.	'ØD' Outside Dia.	'F' Face Width	Part No.
8MM	1-3/8"	1/4"	47772
15MM	35MM	11MM (7/16")	47734
1/2"	3/4"	.156 (5/32")	47721
1/2"	1-1/8"	.312 (5/16")	47738
15MM	1"	.218 (7/32")	47754

'Ød' x 'ØD'	Face Thickness	Part No.
1/4" x 7/16"	.203 (13/64")	47724
1/2" x 23/32"	.234 (15/64")	47739
1/2" x 25/32"	.234 (15/64")	47740

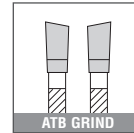
THIN KERF SAW BLADES SIERRAS CIRCULARES — ESPESOR DELGADO



These blades feature an ultra thin kerf design requiring less horsepower and reduced stock loss. The individual blades are fully tensioned and heat treated for virtually no run-out. We utilize premium carbide tips that can be re-sharpened many times. Blades are available for all types of materials and will fit most brands of portable battery and electrical saws, trim saws, portable table saws, contractor table saws, miter saws, compound miter saws, sliding compound miter saws, dual sliding compound miter saws and radial arm saws.



GENERAL PURPOSE WOOD CUTTING TRIM
USO GENERAL — MADERA



This blade is designed for small portable electric and battery powered cordless saws. Skin-packed for display.

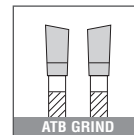
ØD	Teeth	Grind	Kerf		Plate		Hook Angle	Bore	Packaged	Tool No.
			Inch	MM	Inch	MM				
4-3/8"/4-1/2"	30	ATB	.071	1.8	.047	1.2	20°	20MM*	Carded	120-300

*Comes with adapter (bushing) for 3/8" arbor

This blade fits the following saws:
Jepson[®] 8211, Makita[®] 4100RH, 4200NH, Panasonic[®] EY3502FQMKW-12Volt, Porter-Cable[®] 314



GENERAL PURPOSE WOOD CUTTING TRIM
USO GENERAL — MADERA



This blade is designed for small portable electric and battery powered cordless saws. Skin-packed for display.

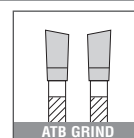
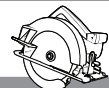
ØD	Teeth	Grind	Kerf		Plate		Hook Angle	Bore	Packaged	Tool No.
			Inch	MM	Inch	MM				
5-3/8"/5-1/2"	30	ATB	.071	1.8	.053	1.35	15°	5/8"*	Carded	135-300

*Comes with adapter (bushing) for 1/2" and 10MM arbors

This blade fits the following saws:
Black&Decker[®] CS144-14.4Volt, Grizzly[®] G8598-18Volt, DeWalt[®] DW930K-12Volt, DW935K/14.4Volt, DW936K-18Volt
Makita[®] 5005BA, Panasonic[®] EY3503FQWKW-12Volt, EY3531FQWKW-15.6Volt, Skil[®] HD5510



CONTRACTOR WOOD CUTTING TRIM
USO GENERAL — MADERA



This blade is designed for small portable electric and battery powered cordless saws. Skin-packed for display.

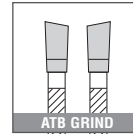
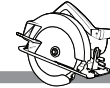
ØD	Teeth	Grind	Kerf		Plate		Hook Angle	Bore	Packaged	Tool No.
			Inch	MM	Inch	MM				
6"	20	ATB	.067	1.7	.051	1.3	20°	1/2"	Carded	150-200
6"	40	ATB	.067	1.7	.051	1.3	20°	1/2"	Carded	150-400

For use on Porter-Cable[®], Saw Boss[®] Trim Saw Model #345 and Model #9845 19.2Volt



CONTRACTOR WOOD CUTTING TRIM

USO GENERAL — MADERA



This blade is designed for small portable electric and battery powered cordless saws. Skin-packed for display.

ØD	Teeth	Grind	Kerf		Plate		Hook Angle	Bore	Packaged	Tool No.
			Inch	MM	Inch	MM				
6-1/2"	24	ATB	.095	2.4	.063	1.6	20°	5/8" ♦	Carded	165-240
6-1/2"	40	ATB	.095	2.4	.063	1.6	20°	5/8" ♦	Carded	165-400

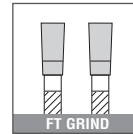
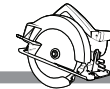
♦ denotes 5/8" arbor with ♦ diamond knockout.

This blade fits the following saws: DeWalt® DW007K-24Volt, DW939-18Volt, Hitachi® C6DC-18Volt, Makita® 5630DWA-14.4Volt, 5620DWA-18Volt, Makita® 5621DWD-18Volt, 5026DWD-18Volt, Skil® HD 5825, Talon® TJ759000-18Volt



NAIL CUTTING

MADERA CON CLAVOS

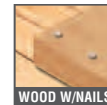


This blade was designed for cutting recycled lumber and flooring with hidden or embedded nails.

ØD	Teeth	Grind	Kerf		Plate		Hook Angle	Bore	Packaged	Tool No.
			Inch	MM	Inch	MM				
7-1/4"	14	FT	.118	3.0	.071	1.8	-5°	5/8" ♦	Carded	185-140

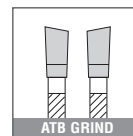
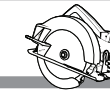
♦ denotes 5/8" arbor with ♦ diamond knockout.

All blades fit popular portable 7-1/4" Electric & Worm Drive circular saws. Black&Decker®, Bosch®, DeWalt®, Hitachi®, Jepson®, Makita®, Milwaukee®, Porter-Cable®, Ryobi®, Skil®



CONTRACTOR RIPPING

USO GENERAL — MADERA



An excellent blade for fast cutting, framing and ripping. Also works well on Trek® board plastic decking. Anti-kickback design.

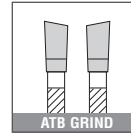
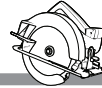
ØD	Teeth	Grind	Kerf		Plate		Hook Angle	Bore	Packaged	Tool No.
			Inch	MM	Inch	MM				
7-1/4"	18	ATB	.079	2.0	.053	1.35	15°	5/8" ♦	Carded	185-180
7-1/4"	18	ATB	.079	2.0	.053	1.35	15°	5/8" ♦	†Bulk	185-180B

♦ denotes 5/8" arbor with ♦ diamond knockout.

† Bulk Pack: 10 pcs. per box



PRESSURE TREATED
MADERAS TRATADAS



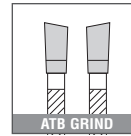
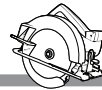
Excellent blade with anti-kickback design for pressure treated lumber. Its coating allows the blade to cut easier through material by reducing pitch and resin build-up. Special carbide to stand up to the rigors of cutting pressure treated material.

ØD	Teeth	Grind	Kerf		Plate		Hook Angle	Bore	Packaged	Tool No.
			Inch	MM	Inch	MM				
7-1/4"	24	ATB	.083	2.1	.053	1.35	20°	5/8" ♦	Carded	190-240
7-1/4"	24	ATB	.083	2.1	.053	1.35	20°	5/8" ♦	†Bulk	190-240B

♦ denotes 5/8" arbor with ♦ diamond knockout.
† Bulk Pack: 10 pcs. per box



FINISHING
CORTE FINO — MADERAS Y TRIPLAY



ATB GRIND WITH ALTERNATE FACE SHEAR (HOLDS BLADE "ON-LINE")

This blade was designed for superior crosscutting and trimming of wood paneling, plywood and man made material. It has an alternate face shear design for exceptionally clean cuts. Yields a table saw quality cut with a handheld machine.

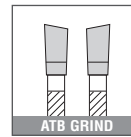
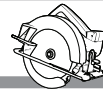
ØD	Teeth	Grind	Kerf		Plate		Hook Angle	Bore	Packaged	Tool No.
			Inch	MM	Inch	MM				
7-1/4"	36	ATB	.063	1.6	.039	1.0	20°	5/8" ♦	Carded	185-36
7-1/4"	36	ATB	.063	1.6	.039	1.0	20°	5/8" ♦	†Bulk	185-36B

♦ denotes 5/8" arbor with ♦ diamond knockout.
† Bulk Pack: 10 pcs. per box

All 175, 185, and 190 Series Blades fit the popular 7-1/4" Electric and Worm Drive circular saws. Black&Decker[®], Bosch[®], DeWalt[®], Hitachi[®], Jepson[®], Makita[®], Milwaukee[®], Porter-Cable[®], Ryobi[®], Skil[®]



PROFESSIONAL SPECIALTY ALL PURPOSE
USO GENERAL — MADERA, TRIPLAY Y MATERIALES COMPUESTOS



A durable series of blades designed for the contractors and Do-It-Yourselfers. These are very popular all-purpose blades used for ripping and crosscutting wood framing, decking and plywood.

ØD	Teeth	Grind	Kerf		Plate		Hook Angle	Bore	Packaged	Tool No.
			Inch	MM	Inch	MM				
7-1/4"	24	ATB	.106	2.7	.059	1.5	18°	5/8" ♦	Carded	175-24C
7-1/4"	24	ATB	.106	2.7	.059	1.5	18°	5/8" ♦	†Bulk	175-24B
7-1/4"	40	ATB	.106	2.7	.059	1.5	18°	5/8" ♦	Carded	175-40C
7-1/4"	40	ATB	.106	2.7	.059	1.5	18°	5/8" ♦	†Bulk	175-40B
7-1/4"	60	ATB	.095	2.4	.062	1.6	12°	5/8" ♦	Carded	175-60C
7-1/4"	60	ATB	.095	2.4	.062	1.6	12°	5/8" ♦	†Bulk	175-60B

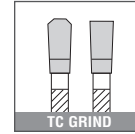
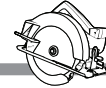
♦ denotes 5/8" arbor with ♦ diamond knockout.
† Bulk Pack: 25 pcs. per box

All blades fit popular portable 7-1/4" Electric & Worm Drive circular saws. Black&Decker[®], Bosch[®], DeWalt[®], Hitachi[®], Jepson[®], Makita[®], Milwaukee[®], Porter-Cable[®], Ryobi[®], Skil[®]



FINE CROSSCUT
CORTE FINO Y LIMPIO — MDF, TRIPLAY, MELAMINA

NEW



This blade produces quality cuts when sizing plywood, MDF and other sheet goods with a portable circular saw.

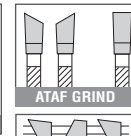
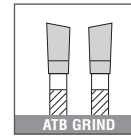
ØD	Teeth	Grind	Kerf		Plate		Hook Angle	Bore	Packaged	Tool No.
			Inch	MM	Inch	MM				
7-1/4"	40	TCG	.106	2.7	.059	1.5	0°	5/8" ♦	Clamshell	175-41C

♦ denotes 5/8" arbor with ♦ diamond knockout.



FIBERFORCE™ - FIBER CEMENT BOARD CUTTING
FIBRA DE CEMENTO

NEW
ADDITIONAL SIZES



The Timberline® FiberForce™ blade contains a unique 6 tooth carbide tipped design that is made for cutting single sheets of cement board or Wonderboard™.



- Special flat top tooth grind
- Hardened body for long life
- Unique shoulder design for consistent chip removal
- Harder carbide for maximum cutting life

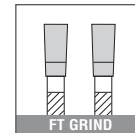
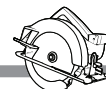
ØD	Teeth	Grind	Kerf		Plate		Hook Angle	Bore	Packaged	Tool No.
			Inch	MM	Inch	MM				
7-1/4"	6	ATB	.073	1.84	.046	1.16	15°	5/8" ♦	Clamshell	185-06
10"	32	ATAF	.118	3.0	.087	2.2	5°	5/8"	Clamshell	254-32
12"	40	ATAF	.126	3.2	.087	2.2	5°	1"	Clamshell	305-40

♦ denotes 5/8" arbor with ♦ diamond knockout.



PCD FOR FIBER CEMENT BOARD
SIERRA DIAMANTADA — TABLEROS DE CEMENTO

NEW



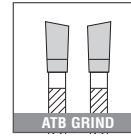
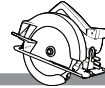
The Timberline® diamond blade features four polycrystalline diamond teeth for greater cuts in Hardiplank®, Hardiboard® and Wonderboard™. Blade has 5/8" arbor with diamond knockout.

ØD	Teeth	Grind	Kerf		Plate		Hook Angle	Bore	Packaged	Tool No.
			Inch	MM	Inch	MM				
7-1/4"	4	FT	.087	2.2	.063	1.6	—	5/8" ♦	Carded	185-04PCD

♦ denotes 5/8" arbor with ♦ diamond knockout.



GENERAL PURPOSE
USO GENERAL — MADERA



Ideal blade for framing work (rip and crosscuts). Perfect general purpose use blade for 8-1/4" side-winder and/or worm drive saws.

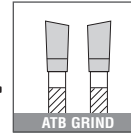
ØD	Teeth	Grind	Kerf		Plate		Hook Angle	Bore	Packaged	Tool No.
			Inch	MM	Inch	MM				
8-1/4"	24	ATB	.079	2.0	.053	1.35	15°	5/8"◆	Clamshell	215-240
8-1/4"	40	ATB	.087	2.2	.063	1.6	20°	5/8"◆	Clamshell	215-400

◆ denotes 5/8" arbor with ◆ diamond knockout.

Blade fits all popular 8-1/4" Electric and Worm Drive saws. Black&Decker®, Bosch®, DeWalt®, Hitachi®, Makita®, Milwaukee®, Porter-Cable®, Skil®, Popular saws made by: Delta® 36-275, Jepson® 8408, Makita® 2702, 2708W. Compound Miter Saws: Delta® 36-049, Pro-tech® 7203



SLIDING COMPOUND MITER
MADERAS Y MOLDURAS



Designed to work on sliding compound miter saws. A 3° negative hook angle prevents the blade from grabbing the wood too aggressively. Excellent for crosscutting and trimming crown molding, softwoods and hardwoods. Clamshell packed.

ØD	Teeth	Grind	Kerf		Plate		Hook Angle	Bore	Packaged	Tool No.
			Inch	MM	Inch	MM				
8-1/2"	40	ATB	.087	2.2	.063	1.6	-3°	5/8"◆	Clamshell	235-400
8-1/2"	60	ATB	.087	2.2	.063	1.6	-3°	5/8"◆	Clamshell	235-600

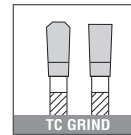
◆ denotes 5/8" arbor with ◆ diamond knockout.

These blades fit the following sliding compound miter saws:
Freud® TR215, Hitachi® C8FB2, Ryobi® TSS200, Makita® BLS820SFK-24Volt



ALUMINUM & NON-FERROUS
ALUMINIO Y METALES NO FERROSOS

This blade is designed for cutting thin non-ferrous products and plastics. It features a 3° or 5° negative hook angle. When cutting non-ferrous metals, a coolant or blade wax should be used and proper clamping devices employed. Clamshell packed.



ØD	Teeth	Grind	Kerf		Plate		Hook Angle	Bore	Packaged	Tool No.
			Inch	MM	Inch	MM				
7-1/4"	50	TCG	.110	2.8	.087	2.2	-5°	5/8"◆	Boxed	★185-505
8-1/2"	60	TCG	.087	2.2	.063	1.6	-3°	5/8"◆	Clamshell	*240-600

◆ denotes 5/8" arbor with ◆ diamond knockout.

★Not for use on worm drive saws.

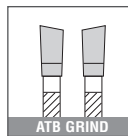
* This blade fits the following sliding compound miter saws:
Freud® TR215, Hitachi® C8FB2, Ryobi® TSS200, Makita® BLS820SFK-24Volt

WARNING: Never attempt to cut ferrous metals (steel, iron, etc.) with these saw blades.



GENERAL PURPOSE & FINISHING BLADES

USO GENERAL — CORTE FINO Y LIMPIO



FOR MITER SAW OR STATIONARY TABLE SAW

Excellent for general purpose, crosscutting and finishing of softwoods and hardwoods. The 0° hook angle allows for use on a broad range of material as well as machine types. Clamshell packed.

ØD	Teeth	Grind	Kerf		Plate		Hook Angle	Bore	Packaged	Tool No.
			Inch	MM	Inch	MM				
10"	40	ATB	.091	2.3	.063	1.6	0°	5/8"	Clamshell	250-400
10"	60	ATB	.091	2.3	.063	1.6	0°	5/8"	Clamshell	250-600
10"	80	ATB	.091	2.3	.063	1.6	0°	5/8"	Clamshell	250-800

Perfect for the following miter box saws, compound miter saws, sliding compound miter saws and dual sliding compound miter saws:

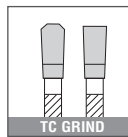
Bosch® 3915; Delta® 36-070, 36-040, 36-075, 36-220, 36-225, 36-240, 36-250; Hitachi® C10FC2, C10FS, C10FCD; Makita® LS1039N, LS1040, LS1045, LS1011, LS1013; Milwaukee® 6490-6, 6496-6, 6497-6; Porter Cable® 3807; Pro-tech® 7107, 7207, 7208; Ryobi® TS254. Radial arm saws: Delta® 33-990.

Portable table saws and contractor table saws: Delta® 36-540, 36-440, 36-444, 36-445, 36-480, 36-490; DeWalt® DW744S, DW746, DW703; Grizzly® G5045, G1022, G1022Z, G1022ZFX, G1022SM, G1023S/SC; Jet® JWTS-10JF, JWTS-10CW2-PFX, JWTS-10PF, JWTS-10PFX; Jet Equipment® JTS-10DD; Hitachi® C10RA2; Makita® 2711, 2703/X1; Porter Cable® 3812 • Pro-tech® 4106; Ryobi® BT3000; Skil® 3300, 3400, 3400-08



FINISHING

CORTE FINO Y LIMPIO — MELAMINA, MDF, PLASTICOS



These blades are designed for finishing, cross-cutting plastics, double sided melamine and plastic laminated MDF. The 0° hook angle allows for use on a broad range of material as well as machine types. Clamshell packed.

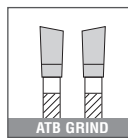
ØD	Teeth	Grind	Kerf		Plate		Hook Angle	Bore	Packaged	Tool No.
			Inch	MM	Inch	MM				
8"	40	TCG	.118	3.0	.071	1.8	0°	5/8"	Clamshell	*200-401
10"	60	TCG	.091	2.3	.063	1.6	0°	5/8"	Clamshell	250-601
10"	80	TCG	.091	2.3	.063	1.6	0°	5/8"	Clamshell	250-801

*Fits Delta® 33-055 Deluxe Sawbuck Frame and Trim Saw.



FINISHING BLADES FOR MITER SAW/STATIONARY TABLE SAW

CORTE FINO Y LIMPIO — MADERAS



Blades are designed for cross-cutting and finishing of softwoods and hardwoods. The 0° hook angle allows for use on a broad range of material as well as machine types. Clamshell packed.

ØD	Teeth	Grind	Kerf		Plate		Hook Angle	Bore	Packaged	Tool No.
			Inch	MM	Inch	MM				
12"	60	ATB	.118	3.0	.087	2.2	0°	1"	Clamshell	300-600
12"	100	ATB	.118	3.0	.087	2.2	0°	1"	Clamshell	300-100

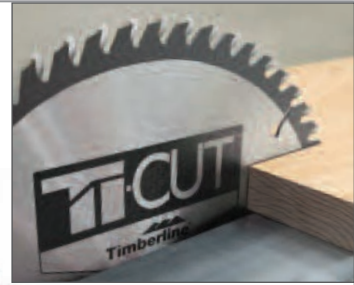
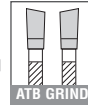
Perfect for the following miter box saws, compound miter saws, sliding compound miter saws and dual sliding compound miter saws:

Bosch® 3912; DeWalt® DW704, DW705, D708; Delta® 36-235; Makita® LS1220, LS1211; Porter Cable® 3802; Pro-tech® CS72121. Radial arm saws: Delta® 33-890



TI-CUT™ GENERAL PURPOSE & FINISHING
 USO GENERAL — CORTE FINO

Heat-treated and large carbide tips precisely ground for smooth cuts every time. These blades are designed for the do-it-yourself market and contractors. Low retail price, very economical. Clamshell packed.



Large Carbide Tipped
Micro-grain carbide



Thin Kerf
for ease of cut
and minimal
waste

Anti-kickback Design
used for #72524 & #72540

Expansion slots
Dissipates heat

Hardened bodies
Avoids warping

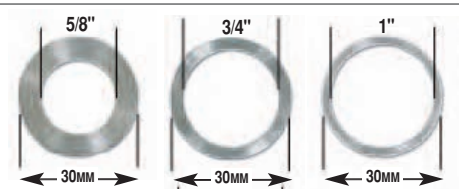


ØD	Teeth	Grind	Hook Angle	Bore	Tool No.
7-1/4"	24	ATB	10°	5/8"♦	† 72524
7-1/4"	40	ATB	10°	5/8"♦	† 72540
8"	32	ATB	10°	5/8"♦	80032
8"	40	ATB	10°	5/8"♦	80040
8"	60	ATB	10°	5/8"♦	80060
8-1/4"	24	ATB	10°	5/8"♦	82524
8-1/4"	40	ATB	10°	5/8"♦	82540
10"	30	ATB	10°	5/8"	10030
10"	30	ATB	10°	30MM	‡10030-30
10"	40	ATB	18°	5/8"	10040
10"	40	ATB	18°	30MM	‡10040-30
10"	60	ATB	10°	5/8"	10060
10"	60	ATB	10°	30MM	‡10060-30
10"	80	ATB	10°	5/8"	10080
10"	80	ATB	10°	30MM	‡10080-30
12"	24	ATB	10°	1"	12024
12"	24	ATB	10°	30MM	‡12024-30
12"	40	ATB	18°	1"	12040
12"	40	ATB	18°	30MM	‡12040-30
12"	60	ATB	10°	1"	12060
12"	60	ATB	10°	30MM	‡12060-30
12"	80	ATB	10°	1"	12080
12"	80	ATB	10°	30MM	‡12080-30



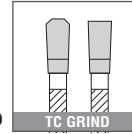
♦ denotes 5/8" arbor with ♦ diamond knockout.
 † Anti-kickback design.

‡ **ALL BLADES WITH 30MM BORE INCLUDE THE FOLLOWING BUSHINGS**



TI-CUT™ FINE CROSSCUT & CUTOFF
CORTE FINO — TRIPLAY, MELAMINA & MATERIALES COMPUESTOS

NEW
ADDITIONAL SIZES



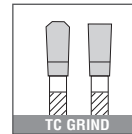
These blades are ideal for cutting material with fragile surface layers, like veneers and laminates. The triple chip grind high tooth count yields smooth finishes. The 10° hook angle provides effortless feeding. Clamshell Packed.

ØD	Teeth	Grind	Hook Angle	Bore	Tool No.
10"	80	TCG	10°	5/8"	10081
10"	80	TCG	10°	30MM	‡10081-30
12"	100	TCG	10°	1"	12100

‡ Blades with 30MM bore include the following reduction bushings: 30MM to 1", 30MM to 3/4" and 30MM to 5/8"



TI-CUT™ ALUMINUM & NON-FERROUS
ALUMINIO Y METALES NO FERROSOS



Application: Specially designed carbide and blade geometry for cutting relatively thin-walled aluminum and non-ferrous extrusions and frames. A coolant or blade wax should be used and proper clamping devices employed. Clamshell Packed.

ØD	Teeth	Grind	Hook Angle	Bore	Tool No.
10"	80	TCG	-5°	5/8"	10181
10"	80	TCG	-5°	30MM	‡10181-30
12"	96	TCG	-5°	1"	12096
12"	96	TCG	-5°	30MM	‡12096-30

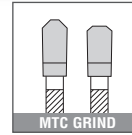
‡ Blades with 30MM bore include the following reduction bushings: 30MM to 1", 30MM to 3/4" and 30MM to 5/8"

WARNING: Never attempt to cut ferrous metals (steel, iron, etc.) with these saw blades.



TI-CUT™ PLASTIC
PLASTICOS

NEW



Application: Specially designed carbide and blade geometry for cutting acrylics such as Plexiglas® polycarbonates such as Lexan®. Clamshell Packed.

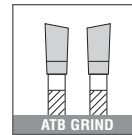
ØD	Teeth	Grind	Hook Angle	Bore	Tool No.
10"	60	MTC	-2°	5/8"	10061
10"	60	MTC	-2°	30MM	‡10061-30

‡ Blades with 30MM bore include the following reduction bushings: 30MM to 1", 30MM to 3/4" and 30MM to 5/8"



TI-CUT™ STEEL
METAL

NEW



Application: Specially designed carbide and blade geometry for cutting mild steel, steel studs and steel sheets. Clamshell Packed.

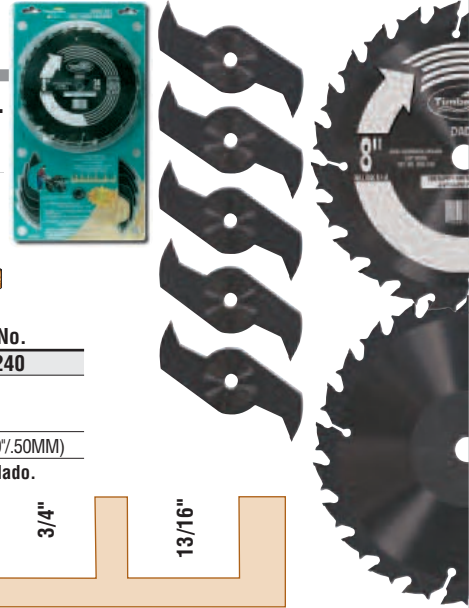
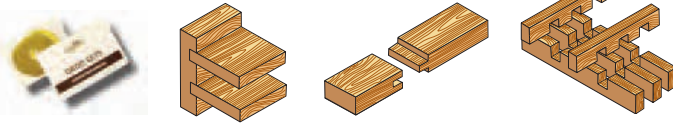
ØD	Teeth	Grind	Bore	Tool No.
7-1/4"	48	ATB	5/8"◆	185-48STL

◆ denotes 5/8" arbor with ◆ diamond knockout.



DADO SET JUEGO RANURADOR

8" PRECISION STACKING DADO SET. HIGH PERFORMANCE RESULTS WITH AN INCREDIBLE VALUE. Designed to cut grooves and dados from 1/8" to 13/16". The standard set, Part #800-240, consists of two outside saw blades, four 1/8" chippers, and one 1/16" chipper. Black oxide finish. Dado Set includes Shim Set Part #DSS-100 and instructions.

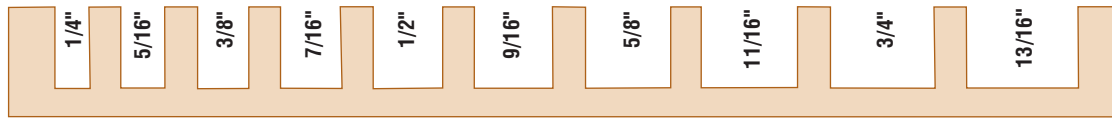


Dia.	Teeth	Grind	Bore	Tool No.
8"	24	ATB/FT	5/8"	800-240

Replacement Parts:

Tool No.	Description
DSS-100	Dado Shim Set - 4 Gold(.002"/.05MM), 2 Yellow(.004"/.10MM), 4 Clear(.010"/.25MM), 4 White(.020"/.50MM)

Please refer to the instruction manual enclosed with set for directions on how to stack and operate this fine dado.

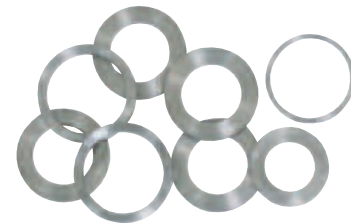
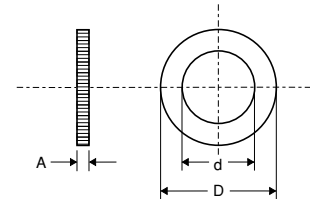


SAW BLADE REDUCING BUSHINGS ANILLOS REDUCTORES PARA SIERRAS CIRCULARES

NEW
ADDITIONAL SIZES

DESIGNED TO REDUCE THE ARBOR.

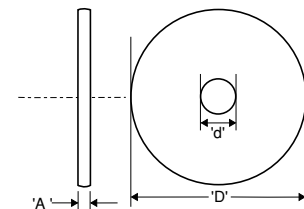
Ød	ØD	'A' Bushing Thickness	Order #
5/8"	10MM	.053	BU-125
5/8"	1/2"	.060	BU-110
3/4"	5/8"	.062	BU-150
20MM	3/8"	.060	BU-120
22MM	3/4"	.062	BU-130
22MM	20MM	.070	BU-140
1"	5/8"	.086	BU-100
1"	7/8"	.097	BU-225
1"	7/8"	.110	BU-250
1"	3/4"	.075	BU-200
1"	20MM	.097	BU-122
1-1/8"	1"	.086	BU-300
1-1/4"	1"	.086	BU-400
1-1/4"	1-1/8"	.075	BU-500
1-1/4"	30MM	.086	BU-450
30MM	5/8"	.070	BU-515
30MM	3/4"	.070	BU-520
30MM	25MM	.070	BU-530
30MM	1"	.070	BU-525



NOTE: Most saw blade bushings have serrations on the outside diameter edge to provide a better grip and fit.

SAW BLADE STABILIZERS/STIFFENERS ESTABILIZADORES PARA SIERRAS CIRCULARES

Application: Used in conjunction with the collar(s) provided on your machine to increase the overall 'stiffness' of the saw blade. Particularly useful for 'thin-kerf' type blades. Unlike certain other brands, Timberline® stabilizers are made from the same quality tool steel that is used on our Industrial Series saw blades. The steel is ground (not stamped) and is extremely flat on both sides to reduce run-out & vibration. Please note that the depth of cut will be reduced slightly and the table insert (if applicable) may obstruct the stabilizers when raising the blade height on table saws. You may use one or two stabilizers, depending on application and arbor length. Each order number consists of one pair.



Ød	ØD	'A' Stabilizer Thickness	Use With Saw Blade		Order #
			Diameter(s)		
5/8"	4"	.098" (x2)	8" - 12"		STF-4
1"	6"	.098" (x2)	14" - 20"		STF-6

DIAMOND BLADES
DISCO DIAMANTADO

NEW

Timberline® Diamond blades are circular steel blades with diamond impregnated grit on the rim. The rims contain a mixture of metal powder, diamond powders and industrial diamonds of different sizes and qualities, depending on the different types of material to be cut. The individual diamond crystals exposed on the edge and sides of the rim do the cutting. The operator pushes the rotating blade into the surface of the material, causing the diamonds to cut a groove in the material. While the blade cuts, the material exerts wear on the blade exposing the diamond grit on the rim. This causes the diamond grit to wear away and expose more diamond grit underneath, thus grooving the material. The more abrasive the material the faster the tendency to wear down the rim. Always read and follow the operating and safety instructions in the power tool owner's manual before using. **WET APPLICATION INCREASES BLADE LIFE.**



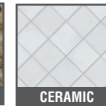
CONTINUOUS RIM DIAMOND BLADES WET / DRY
DISCO DIAMANTADO — RIN CONTINUO

NEW

These blades provide the smoothest cut by ultra smooth chip-free cutting in ceramic tiles, marble and porcelain.

ØD	Kerf Inch	Bore	Bushings	Max. RPM	Tool No.
4"	.07"	7/8"	5/8" & 20mm	15,300	640-100
4-1/2"	.08"	7/8"	5/8" & 20mm	13,300	640-110
7"-7-1/4"	.09"	5/8"◆	—	8,500	640-140
8"	.10"	5/8"◆	—	7,600	640-145
9"	.1"	7/8"	5/8"	6,600	640-150
10"	.11"	5/8"	—	6,100	640-160
12"	.125"	1"	7/8" & 20mm	5,100	640-170

◆ denotes 5/8" arbor with 7/8" ◆ diamond knockout.



TURBO DIAMOND BLADES
DISCO DIAMANTADO — RIN TURBO

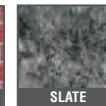
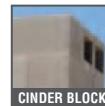
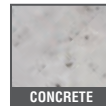
WET / DRY

NEW

These blades are sintered with a serrated cutting edge to stay in constant contact with the material and produce a smoother cut than the segmented blades. They are ideal for cutting concrete, brick, pavers, slate, granite and marble. They have a longer life than the continuous rim blades.

ØD	Kerf Inch	Bore	Bushings	Max. RPM	Tool No.
4"	.09"	7/8"	5/8" & 20mm	14,500	640-200
4-1/2"	.09"	7/8"	5/8" & 20mm	13,300	640-210
7"-7-1/4"	.11"	5/8"◆	—	8,500	640-240
8"	.10"	5/8"◆	—	7,600	640-245
9"	.125"	7/8"	5/8"	6,600	640-250
10"	.14"	5/8"	—	6,100	640-260
12"	.15"	1"	7/8" & 20mm	5,100	640-270

◆ denotes 5/8" arbor with 7/8" ◆ diamond knockout.



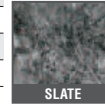
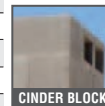
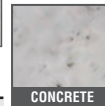
SEGMENTED RIM DIAMOND BLADES WET / DRY
DISCO DIAMANTADO — RIN SEGMENTADO

NEW

These types of blades provide the longest life at the lowest cost per cut. The segmented gullets provide faster, cleaner and cooler cuts. They are ideal for cutting concrete block, concrete, concrete pavers and slate. They should be used where chipping is not a problem.

ØD	Kerf Inch	Bore	Bushings	Max. RPM	Tool No.
4"	.07"	7/8"	5/8" & 20mm	14,500	640-300
4-1/2"	.08"	7/8"	5/8" & 20mm	13,300	640-310
7"-7-1/4"	.09"	5/8"◆	—	8,500	640-340
8"	.10"	5/8"◆	—	7,600	640-345
9"	.1"	7/8"	5/8"	6,600	640-350
10"	.11"	5/8"	—	6,100	640-360
12"	.125"	1"	7/8" & 20mm	5,100	640-370
14"	.125"	1"	20mm	4,300	640-380

◆ denotes 5/8" arbor with 7/8" ◆ diamond knockout.



JIGSAW BLADES
SEGUETA PARA SIERRA CALADORA

Timberline® Jigsaw blades enable the cutting of materials that other blades are unable to reach.

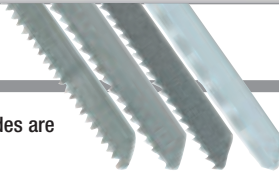
You need to know a few basic facts before selecting the proper blade. What type of material do you plan to cut (wood, metal, plastic, laminate, ceramic or fiberglass? What type of cuts will you be making (tight cuts, rough cuts, or a combination)?

One of the most important things is the number of blade teeth per inch. Timberline® woodcutting blades may have as many as 21 teeth per inch, while the metal-cutting blades may have up to 24 or more. The fewer the teeth, the faster the blade will cut. However, blades with fewer teeth also mean a rougher finish.

The materials thickness is another point to consider when choosing blades. As a rule, at least three blade teeth should be simultaneously cutting the material at all times. This means thinner materials should be cut with a blade with as fine teeth as possible.

Most jigsaw blades are made from carbon steel. These are great blades for cutting wood, but bi-metal blades are recommended for cutting metal. Bi-metal blades have extremely hard steel teeth joined to a blade body of softer carbon steel. The high-strength teeth maintain an edge much longer than carbon steel. While the carbon steel allows the blade to bend, some what, during use.

Be sure the style of the blade you select is compatible with your jigsaw. Some saws accept T-style blades while others accept U-style blades. Some saws will accept either type of blade.



JIGSAW BLADES • T-SHANK
SEGUETA PARA SIERRA CALADORA — 2 PZS.



NEW

Timberline® Jigsaw blades easily cut material quickly, smoothly and precisely in todays conventional and specialized materials.



B	L	TPI	Blade Type	Application	Shank	Pcs per Pkg	Tool No.
3"	4"	6	High Carbon Steel	Plywood, Hard/Softwood	T	2	601-300
3"	4"	10	High Carbon Steel	Plywood, Hard/Softwood	T	2	601-302
2-5/16"	3-1/4"	21	High Carbon Steel	Plywood, Hard/Softwood	T	2	601-304



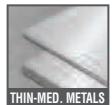
B	L	TPI	Blade Type	Application	Shank	Pcs per Pkg	Tool No.
3"	4"	8	Bi-Metal	Wood w/Nails	T	2	601-306



B	L	TPI	Blade Type	Application	Shank	Pcs per Pkg	Tool No.
3"	4"	10	High Carbon Steel	Laminated Particle Board	T	2	601-308



B	L	TPI	Blade Type	Application	Shank	Pcs per Pkg	Tool No.
2-5/8"	3-5/8"	24	High Speed Steel	Thin Metals 1/16" - 1/8"	T	2	601-310
2-5/8"	3-5/8"	14	Bi-Metal	Medium-Thin Metals 1/8" - 1/4"	T	2	601-312
2-5/8"	3-5/8"	18	Bi-Metal	Medium Metals 5/64" - 7/32"	T	2	601-314



B	L	TPI	Blade Type	Application	Shank	Pcs per Pkg	Tool No.
3"	4"	8	High Speed Steel	Aluminum 3/16" - 5/8"	T	2	601-320



B	L	Grit	Blade Type	Application	Shank	Pcs per Pkg	Tool No.
2-5/16"	3-1/4"	30 Grit	Carbide Grit	Ceramic & Fiberglass 3/64" - 3/8"	T	1	601-330
2-5/16"	3-1/4"	50 Grit	Carbide Grit	Ceramic & Fiberglass 3/64" - 3/8"	T	1	601-332



JIGSAW BLADES • U-SHANK

SEGUETA PARA SIERRA CALADORA — 2 PZS.



NEW

Timberline® Jigsaw blades easily cut material quickly, smoothly and precisely in todays conventional and specialized materials.

B	L	TPI	Blade Type	Application	Shank	Pcs per Pkg	Tool No.
3"	3-5/8"	6	High Carbon Steel	Plywood, Hard/Softwood	U	2	601-340
3"	3-5/8"	10	High Carbon Steel	Plywood, Hard/Softwood	U	2	601-342
2"	2-3/4"	21	High Carbon Steel	Plywood, Hard/Softwood	U	2	601-344

B	L	TPI	Blade Type	Application	Shank	Pcs per Pkg	Tool No.
3-3/16"	4"	6	Bi-Metal	Wood w/Nails	U	2	601-346

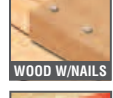
B	L	TPI	Blade Type	Application	Shank	Pcs per Pkg	Tool No.
3-3/16"	3-5/8"	10	High Carbon Steel	Laminated Particle Board	U	2	601-348

B	L	TPI	Blade Type	Application	Shank	Pcs per Pkg	Tool No.
2"	2-3/4"	24	High Speed Steel	Thin Metals 1/16" - 1/8"	U	2	601-350
2"	2-3/4"	14	Bi-Metal	Medium-Thin Metals 1/8" - 1/4"	U	2	601-352
2"	2-3/4"	18	Bi-Metal	Medium Metals 5/64" - 7/32"	U	2	601-354

B	L	Grit	Blade Type	Application	Shank	Pcs per Pkg	Tool No.
2"	2-3/4"	30 Grit	Carbide Grit	Ceramic & Fiberglass 3/64" - 3/8"	U	1	601-358



WOOD



WOOD W/NAILS



LAMINATE



THIN-MED. METALS



CERAMIC



FIBERGLASS

5 & 10 PIECE JIGSAW BLADE SET • T-SHANK

JUEGO — 5 Y 10 PZS. SEGUETAS PARA SIERRA CALADORA

NEW

B	L	TPI	Blade Type	Application	Pcs per Pkg	Tool No.
COMPLETE 5 PIECE SET						
3"	4"	6	High Carbon Steel	Wood	1	601-300
3"	4"	10	High Carbon Steel	Wood	1	601-302
2-5/16"	3-1/4"	21	High Carbon Steel	Wood	1	601-304
2-5/8"	3-5/8"	24	High Carbon Steel	Thin Metals	1	601-310
2-5/8"	3-5/8"	14	Bi-Metal	Thin Metals	1	601-312
COMPLETE 10 PIECE SET						
3"	4"	6	High Carbon Steel	Wood	2	601-300
3"	4"	10	High Carbon Steel	Wood	2	601-302
2-5/16"	3-1/4"	21	High Carbon Steel	Wood	2	601-304
2-5/8"	3-5/8"	24	High Carbon Steel	Thin Metals	2	601-310
2-5/8"	3-5/8"	14	Bi-Metal	Thin Metals	2	601-312



WOOD



WOOD W/NAILS



LAMINATE



THIN METAL



CERAMIC/FIBERGLASS

5 & 10 PIECE JIGSAW BLADE SET • U-SHANK

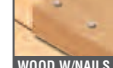
JUEGO — 5 Y 10 PZS. SEGUETAS PARA SIERRA CALADORA

NEW

B	L	TPI	Blade Type	Application	Pcs per Pkg	Tool No.
COMPLETE 5 PIECE SET						
3"	3-5/8"	6	High Carbon Steel	Wood	1	601-340
3"	3-5/8"	10	High Carbon Steel	Wood	1	601-342
2"	2-3/4"	21	High Carbon Steel	Wood	1	601-344
2"	2-3/4"	24	High Carbon Steel	Thin Metals	1	601-350
2"	2-3/4"	14	Bi-Metal	Thin Metals	1	601-352
COMPLETE 10 PIECE SET						
3"	3-5/8"	6	High Carbon Steel	Wood	2	601-340
3"	3-5/8"	10	High Carbon Steel	Wood	2	601-342
2"	2-3/4"	21	High Carbon Steel	Wood	2	601-344
2"	2-3/4"	24	High Carbon Steel	Thin Metals	2	601-350
2"	2-3/4"	14	Bi-Metal	Thin Metals	2	601-352



WOOD



WOOD W/NAILS



LAMINATE



THIN METAL



CERAMIC/FIBERGLASS

CARBIDE TIPPED SLOTTED DRIVE SYSTEM BROCAS PARA CONCRETO-SISTEMA SDS

SLOTTED DRIVE SYSTEM PLUS bits for hammer drills/rotary hammers are excellent for drilling the toughest concrete. Special designed carbide tips and spiral flutes combine to give the straightest drilling with the quickest removal of dust and chips in any position. In addition the special carbide tips & high grade steel body adds longer life to the bit. Available in cutting diameters from 5/32" to 1" with various usable lengths to 24" long.



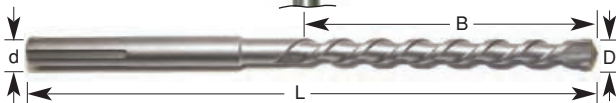
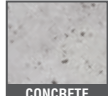
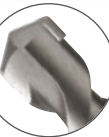
SLOTTED DRIVE SYSTEM MAX bits are similar to our Slotted Drive System Plus bits, but are available in larger diameters. Special designed carbide tips and spiral flutes combine the straightest drilling with the quickest removal of dust and chips in any position. In addition the carbide tips and high grade steel body adds longer life to the bit. Available in cutting diameters from 3/8" to 1-1/2" with various usable lengths to 36" long.

CARBIDE TIPPED **SLOTTED DRIVE SYSTEM MAX** BITS BROCAS PARA CONCRETO-SISTEMA SDS MAX

SLOTTED DRIVE SYSTEM Carbide tipped rotary hammer bits with 2 flute carbide tipped head for faster drilling of true round holes which produce less vibration for longer life and greater productivity.



NEW



ØD	B	L	Tool No.
3/8"	8"	13"	613-400
1/2"	8"	13"	613-404
1/2"	16"	21"	613-408
9/16"	8"	13"	613-412
9/16"	16"	21"	613-416
5/8"	8"	13"	613-420
5/8"	16"	21"	613-424
5/8"	31"	36"	613-428
11/16"	16"	21"	613-432
3/4"	8"	13"	613-436
3/4"	16"	21"	613-440
3/4"	31"	36"	613-444
13/16"	16"	21"	613-448
7/8"	8"	13"	613-452
7/8"	16"	21"	613-456
1"	8"	13"	613-460
1"	16"	21"	613-464
1"	31"	36"	613-468
1-1/8"	10"	15"	613-472
1-1/8"	18"	23"	613-476
1-1/4"	10"	15"	613-480
1-1/4"	18"	23"	613-484
1-1/4"	31"	36"	613-488
1-3/8"	18"	23"	613-492
1-1/2"	18"	23"	613-496

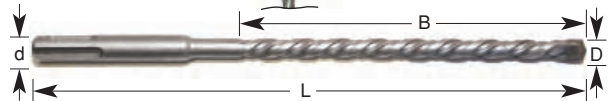
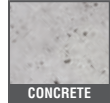
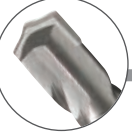
Unit Pack: Individually Carded

CARBIDE TIPPED **SLOTTED DRIVE SYSTEM PLUS** BITS BROCAS PARA CONCRETO-SISTEMA SDS PLUS

SLOTTED DRIVE SYSTEM Carbide tipped rotary hammer bits with 4 flute carbide tipped head for long drilling life with quick dust removal and greater accuracy under extreme loads.



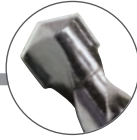
NEW



ØD	B	L	Tool No.
5/32"	2"	4"	613-100
5/32"	4"	6"	613-104
3/16"	2"	4"	613-108
3/16"	4"	6"	613-112
3/16"	6"	8"	613-116
3/16"	8"	10"	613-120
3/16"	10"	12"	613-124
7/32"	2"	4"	613-128
7/32"	6"	8"	613-132
7/32"	10"	12"	613-136
1/4"	2"	4"	613-140
1/4"	4"	6"	613-144
1/4"	6"	8"	613-148
1/4"	10"	12"	613-152
1/4"	12"	14"	613-156
5/16"	4"	6"	613-160
5/16"	6"	8"	613-162
5/16"	10"	12"	613-164
3/8"	4"	6"	613-168
3/8"	8"	10"	613-172
3/8"	10"	12"	613-176
3/8"	16"	18"	613-180
3/8"	22"	24"	613-184
7/16"	4"	6"	613-188
7/16"	10"	12"	613-192
1/2"	4"	6"	613-196
1/2"	8"	10"	613-200
1/2"	10"	12"	613-204
1/2"	16"	18"	613-208
1/2"	22"	24"	613-212
9/16"	4"	6"	613-216
9/16"	10"	12"	613-220
9/16"	16"	18"	613-224
5/8"	4"	6"	613-228
5/8"	6"	8"	613-232
5/8"	10"	12"	613-236
5/8"	16"	18"	613-240
5/8"	22"	24"	613-244
11/16"	6"	8"	613-248
3/4"	6"	8"	613-252
3/4"	10"	12"	613-256
3/4"	16"	18"	613-260
3/4"	22"	24"	613-264
7/8"	6"	8"	613-268
7/8"	10"	12"	613-272
7/8"	16"	18"	613-276
1"	8"	10"	613-280
1"	16"	18"	613-284

Unit Pack: Individually Carded

MASONRY-HAMMER DRILL
BRUCA TALADRO-MARTILLO PARA CONCRETO



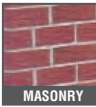
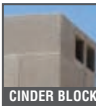
- Special carbide tips designed to withstand the impact of hammer drills
- Hardened steel body
- For use with hammer drills or rotary drills

ØD	Length	Tool No.
1/8"	3"	610-102
5/32"	4"	610-104
3/16"	4"	610-106
1/4"	4"	610-108
5/16"	4"	610-110
3/8"	4"	610-112
1/4"	6"	610-114
5/16"	6"	610-116
3/8"	6"	610-118
7/16"	6"	610-120
1/2"	6"	610-122
9/16"	6"	610-126
5/8"	6"	610-128
3/4"	6"	610-130
7/8"	6"	610-132
1"	6"	610-134
1/4"	13"	610-500
5/16"	13"	610-502
3/8"	13"	610-506
7/16"	13"	610-508
1/2"	13"	610-510
9/16"	13"	610-512
5/8"	13"	610-514
3/4"	13"	610-516
7/8"	13"	610-518
1"	13"	610-520

Unit Pack: Individually Carded

ØD	Length	Pcs. Per Pk.	Tool No.
1/8"	3"	10	610-602
5/32"	4"	10	610-604
3/16"	4"	10	610-606
1/4"	4"	10	610-608
5/16"	4"	10	610-610
3/8"	4"	10	610-612
1/4"	6"	10	610-614
5/16"	6"	10	610-616
3/8"	6"	10	610-618
7/16"	6"	10	610-620
1/2"	4"	5	610-621
1/2"	6"	10	610-622
9/16"	6"	5	610-626
5/8"	6"	5	610-628
3/4"	6"	5	610-630
7/8"	6"	3	610-632
1"	6"	3	610-634
1/4"	13"	10	610-700
5/16"	13"	10	610-702
3/8"	13"	10	610-706
7/16"	13"	10	610-708
1/2"	13"	10	610-710
9/16"	13"	5	610-712
5/8"	13"	5	610-714
3/4"	13"	5	610-716
7/8"	13"	3	610-718
1"	13"	3	610-720

NOTE: All sizes over 3/8" diameter have a reduced shank of 3/8" diameter.
 Unit Pack: Bulk

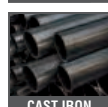
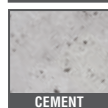
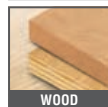
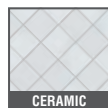


MULTI-PURPOSE DRILL BITS
BRUCA MULTIUSO

NEW



This extremely hard tungsten carbide tip is excellent for use in concrete, marble, cast iron, (wood), ceramic and plastics.



ØD	Ød	L	Pcs. Per Pk.	Tool No.
1/8"	1/8"	2-3/8"	3	606-170
5/32"	5/32"	2-15/16"	1	606-172
3/16"	3/16"	3-5/16"	1	606-174
1/4"	1/4"	3-15/16"	1	606-176
9/32"	9/32"	3-15/16"	1	606-178
5/16"	5/16"	4-3/4"	1	606-180
3/8"	3/8"	4-3/4"	1	606-182
7/16"	3/8"	5-7/8"	1	*606-184
1/2"	3/8"	5-7/8"	1	*606-186
4 piece set 1/8, 3/16, 1/4, 5/16			1 of each	606-190

Unit Pack: Individually Carded
 *Please note these bits have a reduced shank
NOT RECOMMENDED for use on angle iron, stainless steel, galvanized pipe and soft metals (ie: aluminum, brass, copper).

COBALT DRILL BITS BROCAS CON RECUBRIMIENTO DE COBALTO

NEW

- Heat resistance treated
- Designed for drilling in extremely hard and abrasive materials like cast iron, titanium and stainless steel.



ØD	Ød	L	Packed Quality	Tool No.
1/32"	1/32"	1-3/8"	10	611-200
3/64"	3/64"	1-3/4"	10	611-202
1/16"	1/16"	1-7/8"	10	611-204
5/64"	5/64"	2"	10	611-206
3/32"	3/32"	2-1/4"	10	611-208
7/64"	7/64"	2-5/8"	10	611-210
1/8"	1/8"	2-3/4"	10	611-212
9/64"	9/64"	2-7/8"	10	611-214
5/32"	5/32"	3-1/8"	10	611-216
3/16"	3/16"	3-1/2"	10	611-218
7/32"	7/32"	3-3/4"	10	611-219
1/4"	1/4"	4"	10	611-220
9/32"	9/32"	4-1/4"	5*	611-221
5/16"	5/16"	4-1/2"	5*	611-222
3/8"	3/8"	5"	5*	611-224
7/16"	3/8"	5"	5*	611-226
1/2"	3/8"	5"	5*	611-228
9/16"	3/8"	5"	5*	611-230

Unit Pack: Bulk 10 / **Empaque Al Granel - 10pzs.**
Unit Pack: Bulk 5* / **Empaque Blister - 5pzs.**

HIGH-SPEED STEEL DRILL BROCA DE ACERO DE ALTA VELOCIDAD

- Precision ground for drilling in wood, plastic and metal
- 135° split point designed for easy starting
- Drills faster than regular high speed steel drills
- Black oxide finish

ØD	Pcs. Per Pk.	Tool No.
1/32"	3	611-100
3/64"	3	611-102
1/16"	3	611-104
5/64"	3	611-106
3/32"	3	611-108
7/64"	3	611-110
1/8"	3	611-112
9/64"	1	611-114
5/32"	1	611-116
11/64"	1	611-118
3/16"	1	611-120
13/64"	1	611-122
7/32"	1	611-124
15/64"	1	611-126
1/4"	1	611-128
17/64"	1	611-130
9/32"	1	611-132
19/64"	1	611-134
5/16"	1	611-136
21/64"	1	611-138
11/32"	1	611-140
23/64"	1	611-142
3/8"	1	611-144
25/64"	1	611-146
13/32"	1	611-148
27/64"	1	611-150
7/16"	1	611-152
29/64"	1	611-154
15/32"	1	611-156
31/64"	1	611-158
1/2"	1	611-162
9/16"	1	611-168

Unit Pack: Individually Carded
Empaque Blister

ØD	Pcs. Per Pk.	Tool No.	ØD	Pcs. Per Pk.	Tool No.
1/32"	10	611-500	9/32"	10	611-532
3/64"	10	611-502	19/64"	5*	611-534
1/16"	10	611-504	5/16"	5*	611-536
5/64"	10	611-506	21/64"	5*	611-538
3/32"	10	611-508	11/32"	5*	611-540
7/64"	10	611-510	23/64"	5*	611-542
1/8"	10	611-512	3/8"	5*	611-544
9/64"	10	611-514	25/64"	5*	611-546
5/32"	10	611-516	13/32"	5*	611-548
11/64"	10	611-518	27/64"	5*	611-550
3/16"	10	611-520	7/16"	5*	611-552
13/64"	10	611-522	29/64"	5*	611-554
7/32"	10	611-524	15/32"	5*	611-556
15/64"	10	611-526	31/64"	5*	611-558
1/4"	10	611-528	1/2"	5*	611-562
17/64"	10	611-530	9/16"	5*	611-568

Unit Pack: Bulk 10 / **Empaque Al Granel - 10pzs.**
Unit Pack: Bulk 5* / **Empaque Al Granel - 5pzs.**
NOTE: All sizes over 3/8" diameter have a reduced shank of 3/8" diameter.



BRAD POINT DRILL

BROCA DE PUNTILLA PARA MADERA

NEW
ADDITIONAL SIZES



PRECISION WOOD CUTTING BITS

Brad Point drill bits are the bits of choice for precision wood cutting. They overcome the tendency to walk at the start of a hole and reduce tearout at the perimeter of the hole. The bits are made from high speed steel. They are fully ground and polished to give superior chip clearance.

We carry an extensive line of individual sizes ranging from 1/16" to 1". Our 7 piece set (606-200) is available with 7 of the most popular sizes 1/8", 3/16", 1/4", 5/16", 3/8", 7/16", 1/2".

606-200
7pc. Brad Point
Drill Bit Set



ROTARY DRILL



ØD	Ød	L	Tool No.
1/16"	1/16"	1-7/8"	606-100
5/64"	5/64"	2"	606-102
3/32"	3/32"	2-1/4"	606-104
7/64"	7/64"	2-5/8"	606-106
1/8"	1/8"	2-3/4"	606-108
9/64"	9/64"	2-7/8"	606-110
5/32"	5/32"	3-1/8"	606-112
11/64"	11/64"	3-1/4"	606-114
3/16"	3/16"	3-1/2"	606-116
5MM	5MM	3-5/16"	606-117
13/64"	13/64"	3-5/8"	606-118
7/32"	7/32"	3-3/4"	606-120
15/64"	15/64"	3-7/8"	606-122
6MM	6MM	3-9/16"	606-123
1/4"	1/4"	4"	606-124
17/64"	17/64"	4-1/8"	606-126
9/32"	9/32"	4-1/4"	606-128
19/64"	19/64"	4-3/8"	606-130
5/16"	5/16"	4-1/2"	606-132
8MM	8MM	4-7/16"	606-133
21/64"	21/64"	4-5/8"	606-134
11/32"	11/32"	4-3/4"	606-136
23/64"	23/64"	4-7/8"	606-138
3/8"	3/8"	5"	606-140
25/64"	3/8"	5-1/8"	606-142
13/32"	3/8"	5-1/4"	606-144
27/64"	3/8"	5-3/8"	606-146
7/16"	3/8"	5-1/2"	606-148
29/64"	3/8"	5-5/8"	606-150
15/32"	3/8"	5-3/4"	606-152
31/64"	3/8"	5-7/8"	606-154
1/2"	3/8"	6"	606-156
5/8"	1/2"	6-5/8"	606-158
3/4"	1/2"	7-3/4"	606-160
7/8"	1/2"	8-1/4"	606-162
1"	1/2"	8-3/4"	606-164
7pc. Brad Point Drill Set in Metal Box			606-200

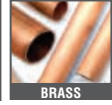
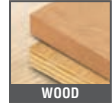
Unit Pack: Individually Carded

TITANIUM COATED STEP DRILL

BROCA ESCALONADA CON RECUBRIMIENTO DE TITANIO

NEW

Excellent for cutting in copper, brass, aluminum, metal, sheet metal, plastics, wood and wood veneers up to 1/8" thick.



ROTARY DRILL

ØD	Increments	Step Depth	Ød	Tool No.
1/8" - 1/2"	1/32"	1/8"	1/4"	608-780
3/16" - 7/8"	1/16"	1/8"	1/4"	608-782
9/16" - 1"	1/8"	1/8"	3/8"	608-784

Unit Pack: Individually Carded

7 PC. SPLIT RING DEPTH STOP SET

JUEGO 7 PZS. ANILLOS DE TOPE

NEW



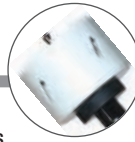
Drill bits not included.

Description	Tool No.
7 pc. set: 1/8", 3/16", 1/4", 5/16", 3/8", 7/16" & 1/2"	4020

Hex wrench included.
Unit Pack: Individually Carded

BI-METAL HOLE SAW SIERRA COPA BI-METALICA

- Precision-sharpened teeth for smooth, fast cuts
- Cuts clean holes in wood, plastic, metal & gypsum boards
- Lasts up to 5 times longer than carbon steel hole saws
- Ideal for carpenters, electricians and plumbers

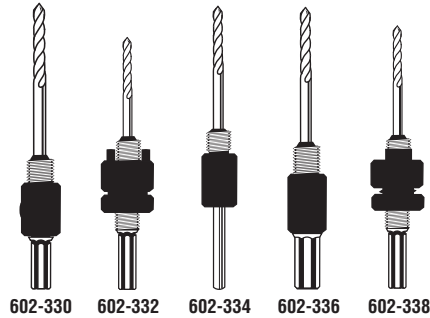


Diameter Inch	MM	Cutting Depth Inch	MM	Mandrel	Tool No.
5/8"	16MM	2-1/8"	54MM	602-330, 602-334, 602-336	602-100
11/16"	17MM	2"	51MM	602-330, 602-334, 602-336	602-102
3/4"	19MM	2"	51MM	602-330, 602-334, 602-336	602-104
13/16"	21MM	2"	51MM	602-330, 602-334, 602-336	602-106
7/8"	22MM	2"	51MM	602-330, 602-334, 602-336	602-108
15/16"	24MM	2"	51MM	602-330, 602-334, 602-336	602-110
1"	25MM	2"	51MM	602-330, 602-334, 602-336	602-112
1-1/16"	27MM	2"	51MM	602-330, 602-334, 602-336	602-114
1-1/8"	29MM	2"	51MM	602-330, 602-334, 602-336	602-116
1-3/16"	30MM	2"	51MM	602-330, 602-334, 602-336	602-118
1-1/4"	32MM	2"	51MM	602-332, 602-338	602-120
1-5/16"	33MM	2"	51MM	602-332, 602-338	602-122
1-3/8"	35MM	2"	51MM	602-332, 602-338	602-124
1-7/16"	37MM	1-3/4"	44MM	602-332, 602-338	602-126
1-1/2"	38MM	1-3/4"	44MM	602-332, 602-338	602-128
1-9/16"	40MM	1-3/4"	44MM	602-332, 602-338	602-130
1-5/8"	41MM	1-3/4"	44MM	602-332, 602-338	602-132
1-11/16"	43MM	1-3/4"	44MM	602-332, 602-338	602-134
1-3/4"	44MM	1-3/4"	44MM	602-332, 602-338	602-136
1-7/8"	48MM	1-3/4"	44MM	602-332, 602-338	602-138
2"	51MM	1-3/4"	44MM	602-332, 602-338	602-140
2-1/16"	52MM	1-3/4"	44MM	602-332, 602-338	602-142
2-1/8"	54MM	1-3/4"	44MM	602-332, 602-338	602-144
2-1/4"	57MM	1-3/4"	44MM	602-332, 602-338	602-146
2-5/16"	59MM	1-3/4"	44MM	602-332, 602-338	602-148
2-3/8"	60MM	1-3/4"	44MM	602-332, 602-338	602-150
2-1/2"	64MM	1-3/4"	44MM	602-332, 602-338	602-152
2-9/16"	65MM	1-3/4"	44MM	602-332, 602-338	602-154
2-5/8"	67MM	1-3/4"	44MM	602-332, 602-338	602-156
2-3/4"	70MM	1-3/4"	44MM	602-332, 602-338	602-158
2-7/8"	73MM	1-3/4"	44MM	602-332, 602-338	602-160
3"	76MM	1-3/4"	44MM	602-332, 602-338	602-162
3-1/8"	79MM	1-3/4"	44MM	602-332, 602-338	602-164
3-1/4"	83MM	1-3/4"	44MM	602-332, 602-338	602-166
3-3/8"	86MM	1-3/4"	44MM	602-332, 602-338	602-168
3-1/2"	89MM	1-3/4"	44MM	602-332, 602-338	602-170
3-5/8"	92MM	1-3/4"	44MM	602-332, 602-338	602-172
3-3/4"	95MM	1-3/4"	44MM	602-332, 602-338	602-174
3-7/8"	99MM	1-3/4"	44MM	602-332, 602-338	602-176
4"	102MM	1-3/4"	44MM	602-332, 602-338	602-178
4-1/8"	105MM	1-3/4"	44MM	602-332, 602-338	602-180
4-1/2"	114MM	1-3/4"	44MM	602-332, 602-338	602-182
4-3/4"	121MM	1-3/4"	44MM	602-332, 602-338	602-184
5"	127MM	1-3/4"	44MM	602-332, 602-338	602-186
6"	152MM	1-3/4"	44MM	602-332, 602-338	602-188

Unit Pack: Individually Carded

BI-METAL HOLE SAW MANDRELS MANDRIL PARA SIERRA COPA

- To be used in conjunction with our bi-metal hole saws
- 1/4" high speed steel pilot drill included



Shank Size	Fits Hole Saw Size	Chuck Size	Tool No.
3/8" Hex	9/16" - 1-3/16"	3/8"	602-330
7/16" Hex	1-1/4" - 6"	1/2"	602-332
1/4" Round	9/16" - 1-3/16"	1/4"	602-334
7/16" Hex	9/16" - 1-3/16"	1/2"	602-336
7/16" Hex	1-1/4" - 6"	3/8"	602-338

Unit Pack: Individually Carded

Bi-Metal Replacement Pilot Drills:

Broca Guia Para Mandril de Sierra Copa Bi-Metalica:

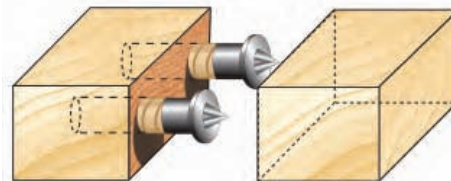
Tool No.	Size	Fits Madrel
602-200	1/4" x 4"	602-334
602-202	1/4" x 3"	602-330, 602-332, 602-336, 602-338

DOWEL CENTER SET

JUEGO DE PUNTAS METALICAS PARA CENTRAR CLAVIJAS

NEW

8 piece metal dowel centers for lining up dowels accurately.



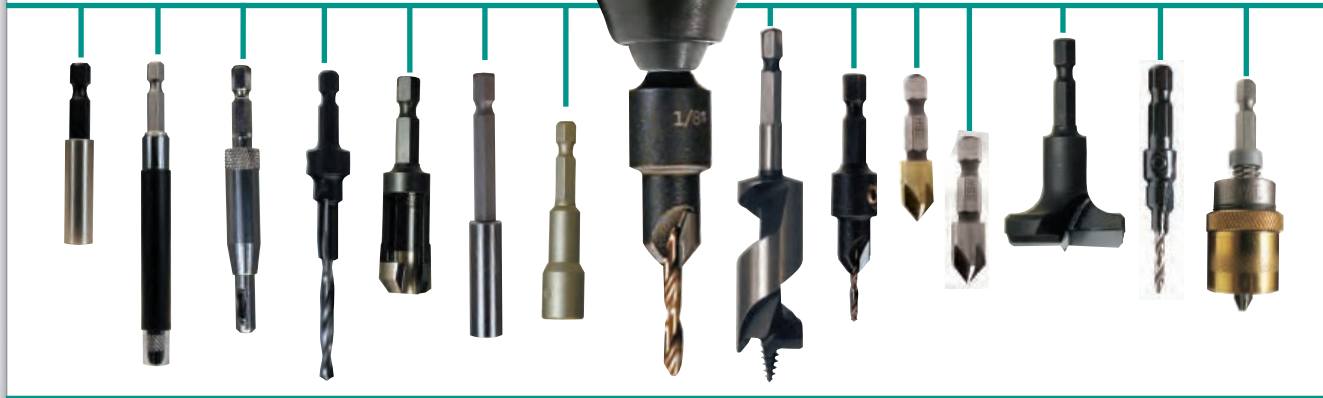
Description	Tool No.
8 pc. set: (2)1/4", (2)5/16", (2)3/8", (2)1/2"	608-104

Unit Pack: Individually Carded

QUICK RELEASE DRILL SYSTEM

SISTEMA DE CAMBIO RAPIDO PARA TALADRO

All Quick Release Accessories have 1/4" hex shank for "quick release" type chucks.



QUICK RELEASE KEYLESS CHUCK

MANDRIL/BROQUERO SIN LLAVE

1/4" HEX SHANK

A great product featuring a patented quick-release mechanism that makes instant tool changes simple and fast. Works with our countersink and drill bit accessories or any 1/4" hex power bit.

Solid steel construction, knurled locking collar and no-slip 3/8" hex shank to fit in any drill, cordless drill or drill press with 3/8" or larger chuck or keyless chuck.



ØD	Ød	Tool No.
1/4"	3/8"	608-100

Unit Pack: Individual Clamshell

DRILL ADAPTERS w/TAPER POINT DRILLS

ADAPTADOR CAMBIO RAPIDO CON BROCA ESCALONADA

1/4" HEX SHANK • WITH QUICK CHANGE ADAPTER



ØD MM	ØD Inch	L	Repl. Drill Bit	Tool No.
2.0MM	5/64"	3"	630-260	608-260
2.4MM	3/32"	3-9/32"	630-262	608-262
2.8MM	7/64"	3-9/32"	630-264	608-264
3.2MM	1/8"	3-3/8"	630-266	608-266
3.6MM	9/64"	3-7/16"	630-268	608-268
4.0MM	5/32"	3-7/16"	630-270	608-270
4.4MM	11/64"	4"	630-272	608-272
4.8MM	3/16"	4-9/32"	630-274	608-274
5.6MM	7/32"	5"	630-276	608-276
6.3MM	1/4"	5-5/16"	630-278	608-278

Unit Pack: Individually Carded

DRILL ADAPTERS WITH DRILL BITS

ADAPTADOR CAMBIO RAPIDO CON BROCA

Includes HSS twist drill bit. You can also use these adapters with brad point, tapered, split point and any other type of drill bit.



ØD	L	Repl. Drill Bit	Tool No.
5/64"	3-3/4"	630-001	608-200
3/32"	3-3/4"	630-002	608-202
7/64"	3-3/4"	630-098	608-204
1/8"	3-3/4"	630-102	608-206
9/64"	3-3/4"	630-802	608-208
5/32"	3-3/4"	630-202	608-210
11/64"	3-3/4"	630-302	608-212
3/16"	3-3/4"	630-402	608-214
7/32"	4"	630-502	608-216
15/64"	4"	630-602	608-218
1/4"	4"	630-702	608-220

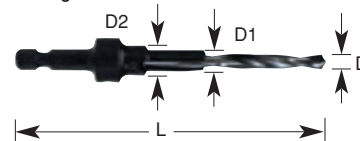
Unit Pack: Individually Carded

RTA FURNITURE DRILLS/COUNTERSINKS

AVELLANADOR CAMBIO RAPIDO CON BROCA PARA TORNILLOS DE MUEBLES

1/4" HEX SHANK

RTA furniture step drill. Used for drilling pilot hole, clearance hole and countersinking.



ØD Drill Size	ØD1 RTA Screw Size	ØD2 Countersink Dia.	Tool No.
3.5MM	5.0MM	7.0MM	608-150
5.0MM	7.0MM	10.0MM	608-152

Replacement 3.5MM HSS slow spiral drill bit, 2-3/4" long, #55104.
 Replacement 5.0MM HSS slow spiral drill bit, 3-7/16" long, #55105.
 Replacement #10-24 set screw, #67092 (requires #5000 3/32" hex key).

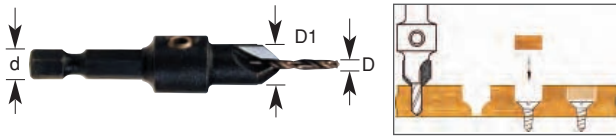
Unit Pack: Individually Carded

CARBIDE TIPPED COUNTERSINKS

AVELLANADOR CON PUNTAS DE CARBURO (INCLUYE BROCA)

1/4" HEX SHANK

Drill pilot hole and tapered countersink for wood screws. Carbide tipped for long lasting results in hardwood, plywood, plastics, etc.



ØD	*Wood Screw Size	ØD1 Countersink Dia.	Tool No.
5/64"	#4	3/8"	608-110
3/32"	#6	3/8"	608-112
7/64"	#8	3/8"	608-114
1/8"	#10	3/8"	608-116
9/64"	#12	1/2"	608-118

*Recommended wood screw sizes represent general purpose applications. Harder or softer materials may require different size pilot holes.

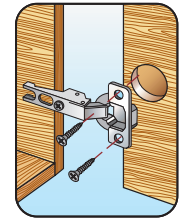
Unit Pack: Individually Carded

CARBIDE TIPPED BORING

BROCA CON PUNTAS DE CARBURO PARA BISAGRAS EUROPEAS

1/4" HEX SHANK

Drill pilot hole and tapered countersink for wood screws. Carbide tipped for long lasting results in hardwood, plywood, plastics, etc.



ØD	L	Tool No.
15MM	55MM	608-170
20MM	55MM	608-172
25MM	55MM	608-174
26MM	55MM	608-176
30MM	55MM	608-178
35MM	55MM	608-180

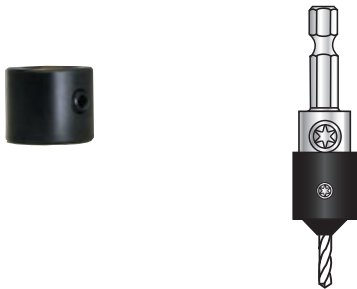
Unit Pack: Individually Carded

DEPTH STOPS FOR COUNTERSINKS

ANILLOS DE TOPES

1/4" HEX SHANK

Adjustable to control the depth of countersinks listed in above table.



Fits the Following Countersinks	Tool No.
608-110, 608-112, 608-114, 608-116	608-120
608-118	608-122

Unit Pack: Individually Carded

HSS COUNTERSINKS

AVELLANADOR DE ACERO ALTA VELOCIDAD (INCLUYE BROCA)

NEW

1/4" HEX SHANK

Individual HSS countersinks designed for screw sizes #4-12. Adjustable to control the depth of countersinks listed in above table.



Screw Size #	ØD	Tool No.
4-5	5/64"	608-140
6-7	3/32"	608-142
8-9	7/64"	608-144
10	1/8"	608-146
12	9/64"	608-148

Unit Pack: Individually Carded

Replacement Parts:

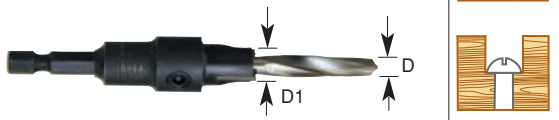
Tool No.	Replacement Drill Bit
608-140	630-001
608-142	630-002
608-144	630-098
608-146	630-102
608-148	630-802

CARBIDE TIPPED COUNTERBORES

AVELLANADOR CON PUNTAS DE CARBURO (INCLUYE BROCA)

1/4" HEX SHANK

Flat bottom counterbores for using round head screws, hex bolts, etc. Includes pilot drill.



ØD	ØD1 Counterbore Dia.	Tool No.
5/32"	3/8"	608-130
3/16"	3/8"	608-132
3/16"	1/2"	608-134
1/4"	1/2"	608-136
1/4"	5/8"	608-138

Unit Pack: Individually Carded

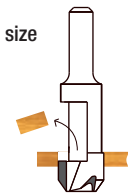
PLUG CUTTERS

CORTADOR DE TAPONES PARA MADERA

NEW
ADDITIONAL SIZES

1/4" HEX SHANK

Self ejecting style for making your own wood plugs. 3/8" size is #4 through #10 screws and 1/2" is for #12 screws.



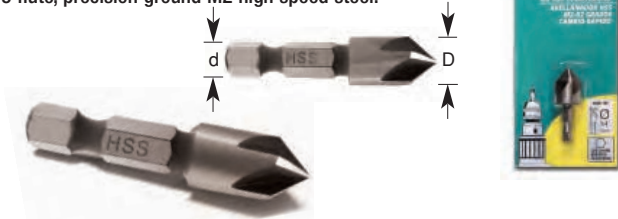
ØD	Tool No.
1/4"	608-251
3/8"	608-250
10MM	608-252
1/2"	608-254
5/8"	608-256
1/4", 3/8", 1/2", 5/8"	4 Pc. Set 608-258

Unit Pack: Individually Carded

82° HSS COUNTERSINKS
AVELLANADOR HSS M2-82 GRADOS

NEW

1/4" HEX SHANK
5 flute, precision ground M2 high speed steel.



ØD	d	Tool No.
1/4"	1/4"	608-760
5/16"	1/4"	608-761
3/8"	1/4"	608-762
1/2"	1/4"	608-763
5/8"	1/4"	608-764
3/4"	1/4"	608-765

Unit Pack: Individually Carded

CARBIDE TIPPED GLASS & TILE DRILLS
BROCAS CON PUNTAS DE CARBURO PARA VIDRIO, AZULESO, LOZA Y PORCELANA

NEW
ADDITIONAL SIZES

1/4" HEX SHANK
With the unique spear-point tungsten carbide tip, these bits will cut a perfectly round hole without chipping or breaking. For drilling glass and ceramic tile.



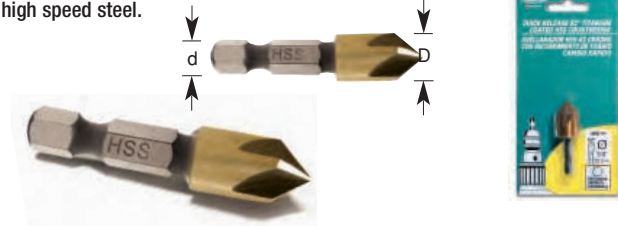
ØD MM	ØD Inch	d	L	Tool No.
3MM	1/8"	1/4"	2-1/4"	608-290
4MM	5/32"	1/4"	2-1/4"	608-292
5MM	3/16"	1/4"	2-9/16"	608-294
6MM	1/4"	1/4"	2-7/8"	608-296
8MM	5/16"	1/4"	3-1/8"	608-298
10MM	3/8"	1/4"	3-3/4"	608-300
12MM	1/2"	1/4"	3-3/4"	608-302
4 piece set 1/8", 3/16", 1/4", 5/16"				608-304

Unit Pack: Individually Carded

82° TITANIUM COATED HSS COUNTERSINKS
AVELLANADOR HSS M2-82 GRADOS CON RECUBRIMIENTO DE TITANIO

NEW

1/4" HEX SHANK
5 flute, titanium nitrate coated, precision ground M2 high speed steel.

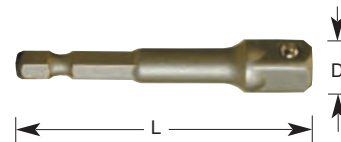


ØD	d	Tool No.
1/4"	1/4"	608-750
5/16"	1/4"	608-751
3/8"	1/4"	608-752
1/2"	1/4"	608-753
5/8"	1/4"	608-754
3/4"	1/4"	608-755

Unit Pack: Individually Carded

SOCKET ADAPTERS
ADAPTADOR PARA DADOS

1/4" HEX SHANK
Converts your drill into a power nut setter.



ØD	L	Tool No.
1/4"	2-3/8"	608-550
3/8"	2-3/8"	608-552
1/2"	2-3/8"	608-554

Unit Pack: Individually Carded

SELF CENTERING DRILL BIT GUIDES
GUIA AUTOCENTRADA CON BROCA PARA COLOCACION DE TORNILLO P/BISAGRA

1/4" HEX SHANK
Spring-loaded end for locating hinge screw holes. Includes HSS twist drill bit. Bright plated finish.



ØD	Replacement Drill Bit	Tool No.
5/64"	630-001	608-520
7/64"	630-098	608-522
9/64"	630-302	608-524
11/64"	630-302	608-526

Unit Pack: Individually Carded

FACE FRAME COUNTERBORE
SISTEMA CON PUNTA DE CARBURO PARA ENSAMBLE DE MARCOS (INCLUYE BROCA)

1/4" HEX SHANK
Carbide tipped with High Speed Steel (HSS) drill. Used for making "pocket holes".



ØD	ØD1	L	Description	Tool No.
3/8"	.136"	4"	Counter Bore #1	608-160
.136"	.136"	3"	#29 HSS Fishtail Drill Bit	608-162

Unit Pack: Plastic Hanging Tube

CEILING TILE HANGER

ADAPTADOR PARA TORNILLOS DE TECHOS SUSPENDIDOS

1/4" HEX SHANK

Unique tool for fastening special screws used in the installation of hanging ceiling grids.



ØD	Tool No.
1/4"	608-556
5/16"	608-558

Unit Pack: Individually Carded

MAGNETIC BIT HOLDER

ADAPTADOR RETRACTIL MAGNETICO PARA PUNTAS

1/4" HEX SHANK

Accommodates all 1/4" hex insert bits for all driver/drills.



L	Tool No.
2-1/4"	608-500
3"	608-502
4"	608-504

Unit Pack: Individually Carded

MAGNETIC DRIVE GUIDE

ADAPTADOR RETRACTIL MAGNETICO

1/4" HEX SHANK

Retracting screw holder for driving screws. 1/4" hex head fits all power driving bit tips. Carded.



L	Tool No.
80MM	608-510
120MM	608-512

Unit Pack: Individually Carded

SPADE BITS WITH SPURS • 6" LONG

BROCA PLANA PARA PERFORACION EN MADERAS



1/4" HEX SHANK

Precision ground and hardened steel spade bits for general purpose drilling of hard & softwood and wood by-products.

NEW
ADDITIONAL SIZES



ØD	L	Tool No.
1/4"	6"	608-398
5/16"	6"	608-399
3/8"	6"	608-400
7/16"	6"	608-402
1/2"	6"	608-410
9/16"	6"	608-412
5/8"	6"	608-420
11/16"	6"	608-422
3/4"	6"	608-430
13/16"	6"	608-432
7/8"	6"	608-440
15/16"	6"	608-442
1"	6"	608-450
1-1/8"	6"	608-460
1-1/4"	6"	608-470
1-3/8"	6"	608-480
1-1/2"	6"	608-490

Unit Pack: Individual Vinyl Pouch

SPADE BITS WITH SPURS • 16" LONG
BROCA PLANA PARA PERFORACION EN MADERAS



1/4" HEX SHANK

NEW



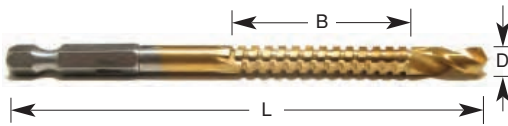
ØD	L	Tool No.
3/8"	16"	604-880
1/2"	16"	604-890
5/8"	16"	604-900
3/4"	16"	604-910
7/8"	16"	604-920
1"	16"	604-930

Unit Pack: Individual Vinyl Pouch

TITANIUM COATED HSS DRILL SAW
BROCA HSS CON RECUBRIMIENTO DE TITANIO

NEW

High speed steel titanium coated all purpose drill saw. For use on wood and plywood 1/4" diameter hex head shank with 1-1/2" cut length. Handy for enlarging existing holes or cutting irregular shapes or contours.



ØD	B	L	Tool No.
1/4"	1-1/2"	4-1/4"	608-102

Unit Pack: Individually Carded

QUICK RELEASE EXTENSIONS
EXTENSION PARA BROCA PLANA - CAMBIO RAPIDO

1/4" HEX SHANK

NEW



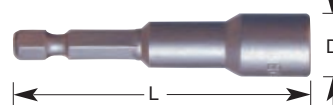
ØD	L	Tool No.
1/4"	6"	604-932
1/4"	12"	604-934

Unit Pack: Individually Carded

MAGNETIC NUT SETTERS
ADAPTADOR MAGNÉTICO TUERCAS

1/4" HEX SHANK

Universal 1/4" shank fits all drills and drivers. Used for power driving hex head screws, bolts and nuts.



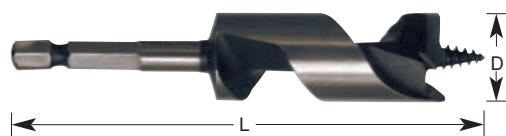
ØD	L	Tool No.
1/4"	1-5/8"	608-560
1/4"	2-9/16"	608-562
5/16"	1-5/8"	608-564
5/16"	2-9/16"	608-566
3/8"	1-3/4"	608-568
3/8"	2-9/16"	608-570
7/16"	1-3/4"	608-572
7/16"	2-9/16"	608-574
1/2"	1-3/4"	608-576
1/2"	2-9/16"	608-578

Unit Pack: Individually Carded / Empaque Blister

AUGER BITS
BROCA PARA MADERA CON PUNTA ROSCADA

1/4" HEX SHANK

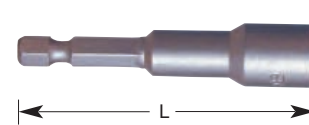
Quality wood cutting auger bits for cutting with the quick release system.



ØD	L	Tool No.
3/8"	4"	608-340
1/2"	4"	608-350
5/8"	4"	608-360
3/4"	4"	608-370
7/8"	4"	608-380
1"	4"	608-390

MAGNETIC NUT SETTERS
ADAPTADOR MAGNÉTICO PARA TUERCAS EMPAQUE A GRANEL

1/4" HEX SHANK



ØD	L	Pcs. Per Jar	Tool No.
1/4"	2-9/16"	50	608-563
5/16"	2-9/16"	50	608-567
3/8"	2-9/16"	50	608-571

Unit Pack: Bulk / Empaque Al Granel

PHILLIPS SCREW BIT TIPS PUNTA PHILLIPS

NEW
ADDITIONAL SIZES

1/4" HEX SHANK



ØD Screw Size	L	Tool No.
#0	1"	608-600
#1	1"	608-602
#1	2"	608-630
#2	1"	608-604
#2	2"	608-632
#2	3"	608-605
#2	4"	608-608
#2	6"	608-609
#3	1"	608-606
#3	2"	608-634

Unit Pack: 5 pieces per card / Empaque Blister - 5pzs.

PHILLIPS SCREW BIT TIPS PUNTA PHILLIPS

NEW

1/4" HEX SHANK



ØD Screw Size	L	Tool No.
#2	1"	608-691
#2	2"	608-639

Unit: 25 pieces per bag with hanging card / Empaque Bolsita - 25pzs.

PHILLIPS SCREW BIT TIPS PUNTA PHILLIPS

NEW
ADDITIONAL SIZES

1/4" HEX SHANK



ØD Screw Size	L	Pcs. Per Jar	Tool No.
#2	2"	150	608-633
#3	2"	150	608-637
#2	1"	250	608-690
#2	4"	100	608-635
#2	6"	50	608-636

Unit Pack: Bulk / Empaque Al Granel

SLOTTED SCREW BIT TIPS PUNTA PLANA

1/4" HEX SHANK



ØD Screw Size	L	Tool No.
#6	1"	608-610
#8	1"	608-612
#10	1"	608-614
#12	1"	608-616
#6	2"	608-640
#8	2"	608-642
#10	2"	608-644
#12	2"	608-646

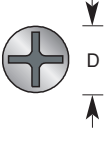
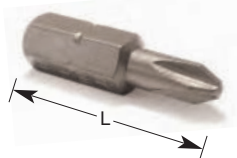
Unit Pack: 5 pieces per card / Empaque Blister - 5pzs.

DRYWALL BIT TIPS PUNTA PARA TABLA DE YESO

NEW

1/4" HEX SHANK

Longer life with increased durability. Reinforced tip for longer life than a standard bit.



ØD Screw Size	L	Packed	Tool No.
#2	1"	5 pieces per card	608-800
#2	1"	Bulk packed 250 pcs.	608-801

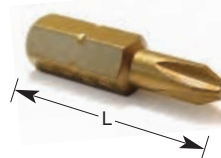
Unit Pack: 5 pieces per card and bulk / Empaque Al Granel Y 5pzs.

TITANIUM NITRIDE COATED DRYWALL BIT TIPS PUNTA PARA TABLA DE YESO CON RECUBRIMIENTO DE TITANIO

NEW

1/4" HEX SHANK

Bits coated with titanium reduce slippage and adds more gripping power to protect the tip.



ØD Screw Size	L	Packed	Tool No.
#2	1"	5 pieces per card	608-802
#2	1"	Bulk packed 250 pcs.	608-803

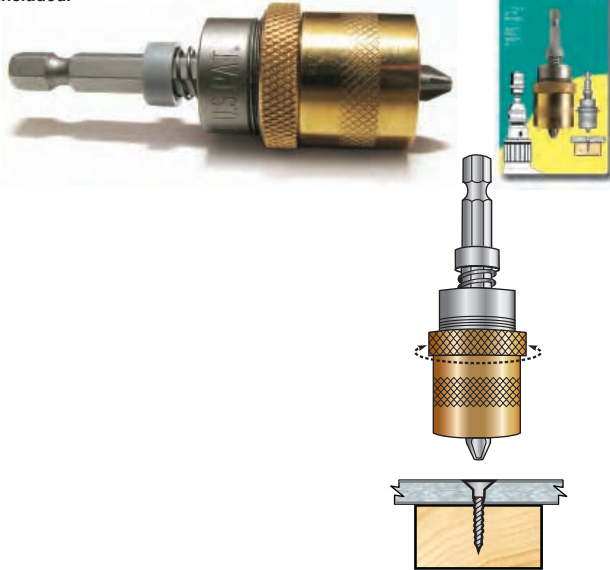
Unit Pack: 5 pieces per card and bulk / Empaque Al Granel Y 5pzs.

ADJUSTABLE DRYWALL SCREW SETTER
FIJADOR AJUSTABLE PARA TABLA DE YESO

NEW

1/4" HEX SHANK

Select the depth of your screw height where you want it in dry wall, plywood or particle board. Phillips #2 bit tip included.



Description

Dry wall screw setter for #2 Phillips screws

Tool No.

4019

Unit Pack: Individually Carded

DRYWALL SCREW SETTER
FIJADOR DE TORNILLOS PARA TABLA DE YESO

NEW

1/4" HEX SHANK

Sets your #2 Phillips screw head at a depth just below the plane of your drywall, plywood or particle board.



Description

Economy dry wall screw setter for #2 Phillips screws

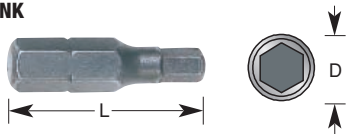
Tool No.

4018

Unit Pack: Individually Carded

HEX BIT TIPS
PUNTA HEXAGONAL

1/4" HEX SHANK



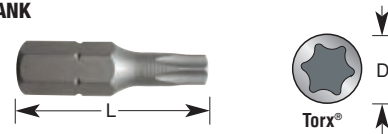
ØD	L	Tool No.
1/16"	1"	608-660
3/32"	1"	608-662
1/8"	1"	608-664

Unit Pack: 5 pieces per card / *Empaque Blister - 5pzs.*

TORX® INSERT BITS
PUNTA TORX®

NEW

1/4" HEX SHANK



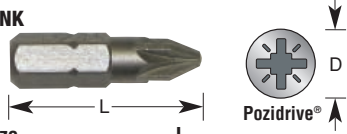
ØD Screw Size	L	Tool No.
T6	1"	608-700
T7	1"	608-701
T8	1"	608-702
T9	1"	608-703
T10	1"	608-704
T15	1"	608-705
T20	1"	608-706
T25	1"	608-707
T27	1"	608-708
T30	1"	608-709
T40	1"	608-710
T6	2"	608-711
T7	2"	608-712
T8	2"	608-713
T9	2"	608-714
T10	2"	608-715
T15	2"	608-716
T20	2"	608-717
T25	2"	608-718
T27	2"	608-719
T30	2"	608-720
T40	2"	608-721

Torx® is a registered trademark of Camcar Division of Textron, Inc.
Unit Pack: 5 pieces per card / *Empaque Blister - 5pzs.*

POZIDRIVE® INSERT BITS
PUNTA POZIDRIVE®

NEW

1/4" HEX SHANK

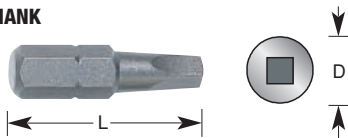


ØD Screw Size	L	Tool No.
#1	1"	608-670
#1	2"	608-671
#1	3"	608-672
#2	1"	608-673
#2	2"	608-674
#2	3"	608-675
#3	1"	608-676
#3	2"	608-677
#3	3"	608-678

Pozidrive® is a registered trademark of Camcar Division of Textron, Inc.
Unit Pack: 5 pieces per card / *Empaque Blister - 5pzs.*

SQUARE BIT TIPS
PUNTA CUADRADA

1/4" HEX SHANK

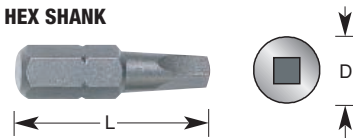


ØD Screw Size	L	Tool No.
#1	1"	608-620
#2	1"	608-622
#1	2"	608-650
#2	2"	608-652
#3	2"	608-654

Unit Pack: 5 pieces per card / *Empaque Blister - 5pzs.*

SQUARE BIT TIPS
PUNTA CUADRADA

1/4" HEX SHANK



ØD Screw Size	L	Pcs. Per Jar	Tool No.
#2	2"	150	608-623

Unit Pack: Bulk / *Empaque Al Granel*

BROKEN SCREW REMOVER
EXTRACTOR DE TORNILLOS DAÑADOS

NEW

1/4" HEX SHANK

Designed to remove #6 to #14 screws with Phillips, Square or Slotted heads.

This tool allows you to drill out the damaged screw quickly, by inserting the bit into your drill. Firmly, hold the tip against the damaged screw head and reverse it out. The extremely sharp edges bite into the damaged screw head & work the screw out. Requires reversible drill.

Not recommended for deck screws.



ØD Screw Size	Tool No.
#1 #6 - #8	608-731
#2 #8 - #10	608-732
#3 #10 - #14	608-733

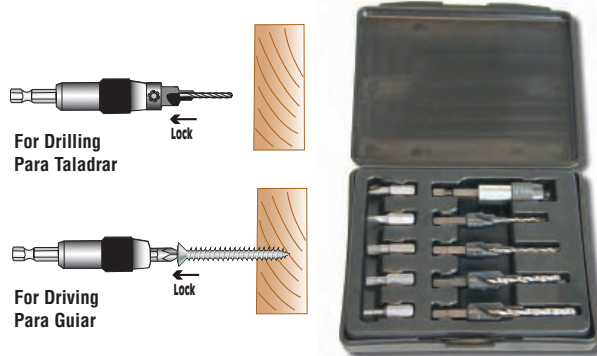
3 Piece set (in a plastic case) includes one of each size. **608-736**

Unit Pack: Individually Carded

11 PC. DRILL & DRIVE COUNTERSINK SET
JUEGO-11 PZS. AVELLANADORES C/BROCAS Y PUNTAS PARA DESTORNILLADORAS

This set includes 4 tool-steel countersinks designed for No. 6, 8, 10, 12 screws and 3/32", 7/64", 1/8" and 9/64" drill bits.

Also included are 3 phillips screw tips (No. 0, 1, 2), 2 slotted screw tips and a quick release chuck*.



For Drilling
Para Taladrar

For Driving
Para Guiar

Chuck
Mandril

Description	Tool No.
11 piece set with case	608-530

Unit Packed: Clamshell

*This quick release chuck is not sold separately - only as part of a set

E-Z QUICK CHANGE BIT SET & CASE
JUEGO-10 PZS. MANDRIL Y PUNTAS PARA DESTORNILLADOR

This craftsmans' clip-on case includes 9 of the most popular screw tips: phillips No. 0, 1, 2; hex 1/16", 3/32", 1/8" slotted No. 6, 8, 10 and a quick release chuck*.

Ideal for cabinet makers, contractors and DIY.



Description	Tool No.
11 piece set with case	608-532

Unit Pack: Individually Carded

*This quick release chuck is not sold separately - only as part of a set

5 PC. QUICK RELEASE COUNTERSINK SET
JUEGO-5 PZS. AVELLANADOR CON BROCA CAMBIO RAPIDO

Use this item for fast, keyless tool changes. Set includes five individual 82° countersinks and 2" long twist drill bits for #4 through #12 wood screws. Hardened tool steel with black oxide finish. Made in U.S.A.



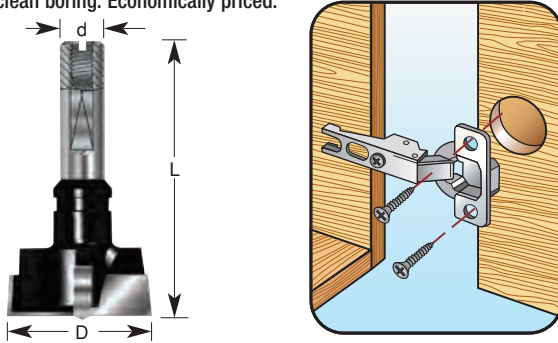
Description	Tool No.
5 piece includes 5/64", 3/32", 7/64", 1/8" & 9/64" drills	TDS-500

Unit Pack: Clamshell

HINGE BORING (EUROPEAN)
BRUCA PARA BISAGRAS CON PUNTA DE CARBURO

57MM LONG • 10MM SHANK • 2 WING WITH SPURS
CARBIDE TIPPED

For European style concealed hinges. Includes side cutting "spurs" for fast, clean boring. Economically priced.

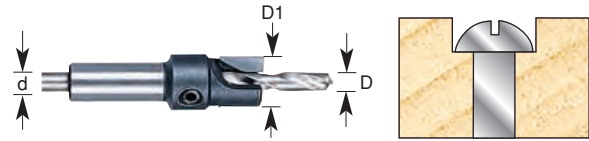


ØD	d	L	Tool No.
12mm	10mm	57mm	620-120
15mm	10mm	57mm	620-150
18mm	10mm	57mm	620-180
20mm	10mm	57mm	620-200
22mm	10mm	57mm	620-220
25mm	10mm	57mm	620-250
26mm	10mm	57mm	620-260
30mm	10mm	57mm	620-300
35mm	10mm	57mm	620-350

Unit Pack: Individually Carded

FLAT BOTTOM COUNTERBORES
AVELLANADOR DE FONDO PLANO

UP-SHEAR DESIGN • DRILL BITS INCLUDED • CARBIDE TIPPED



ØD Drill Dia. Inch MM	Wood Screw Size	ØD1 Counterbore Dia. Inch MM	Ød Shank Inch MM	Tool No.
1/8" 3.2mm	4-6	3/8" 9.5mm	5/16" 8.0mm	630-100
5/32" 4.0mm	6-8	.394 10mm	5/16" 8.0mm	630-200
11/64" 4.4mm	8-9	.394 10mm	5/16" 8.0mm	630-300
3/16" 4.8mm	10	1/2" 12.7mm	3/8" 9.5mm	630-400
7/32" 5.6mm	12	1/2" 12.7mm	3/8" 9.5mm	630-500
15/64" 6.0mm	14	1/2" 12.7mm	3/8" 9.5mm	630-600
1/4" 6.3mm	16	1/2" 12.7mm	3/8" 9.5mm	630-700

Unit Pack: Individually Carded

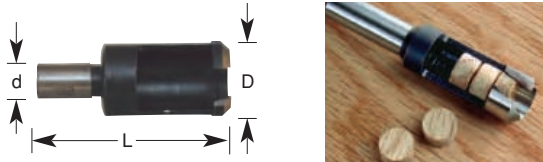
Replacement Parts:

Tool No.	Replacement Drill Bit
630-100	630-102
630-200	630-202
630-300	630-302
630-400	630-402
630-500	630-502
630-600	630-602
630-700	630-702

NOTE: Replacement set screws (2 required per tool) Part No 67092.

STRAIGHT WOOD PLUG CUTTERS
CORTADOR PARA TAPAS DE MADERA

QUALITY WOOD CUTTERS FOR MAKING SMOOTH STRAIGHT PLUGS



ØD	d	L	Tool No.
1/4"	3/8"	2"	607-100
3/8"	3/8"	2"	607-110
1/2"	3/8"	2"	607-120
5/8"	3/8"	2"	607-130

Unit Pack: Individually Carded

8 PC. WOOD PLUG CUTTER SET
JUEGO — 8 PZS. CORTADOR DE TAPAS

STRAIGHT AND TAPERED



QUALITY WOOD CUTTERS FOR MAKING SMOOTH STRAIGHT PLUGS

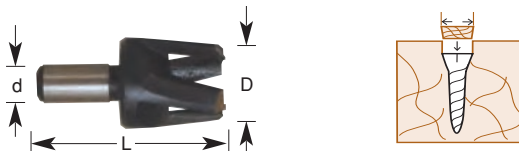


QUALITY WOOD CUTTERS FOR MAKING SMOOTH TAPERED PLUGS



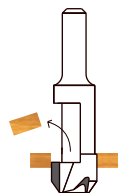
TAPERED WOOD PLUG CUTTERS
CORTADOR CONICO PARA TAPAS DE MADERA

QUALITY WOOD CUTTERS FOR MAKING SMOOTH TAPERED PLUGS



ØD	Ød	L	Tool No.
1/4"	3/8"	2"	607-300
3/8"	3/8"	2"	607-310
1/2"	3/8"	2"	607-320
5/8"	3/8"	2"	607-330

Unit Pack: Individually Carded



607-500
 8pc. set in wood box
 Includes both straight
 & tapered plug cutters



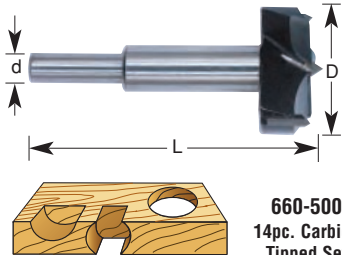
	L	Tool No.
8 pc. Set in Wood Box	Straight & Tapered	607-500

Set includes 1 of ea. straight & tapered plug cutter in the previous tables.

CARBIDE TIPPED FORSTNER BITS BROCA FORSTNER EN CARBURO DE TUNGSTENO

Carbide tipped forstner bits were designed so the rim remains extremely sharp, especially at the leading edge.

It is here that the rim stays engaged in the cut so the bit won't drift laterally. This prevents tearout at the beginning of the cut to give a smooth clean cut. The finished hole will show a small center hole at the bottom of the hole. Clamshell packed for hanging display.



660-500
14pc. Carbide Tipped Set

ØD	Ød	L	Tool No.
1/2"	3/8"	3-1/2"	660-100
5/8"	3/8"	3-1/2"	660-110
3/4"	3/8"	3-1/2"	660-120
7/8"	3/8"	3-1/2"	660-130
1"	3/8"	3-1/2"	660-140
1-1/8"	3/8"	3-1/2"	660-150
1-1/4"	3/8"	3-1/2"	660-160
1-3/8"	3/8"	3-1/2"	660-165
35mm	3/8"	3-1/2"	660-170
1-1/2"	3/8"	3-1/2"	660-180
1-5/8"	3/8"	3-1/2"	660-190
1-3/4"	3/8"	3-1/2"	660-200
1-7/8"	3/8"	3-1/2"	660-210
2"	3/8"	3-1/2"	660-220
2-1/8"	3/8"	3-1/2"	660-230
Wooden Box Only			660-300
14pc. Carbide Tipped Set			660-500

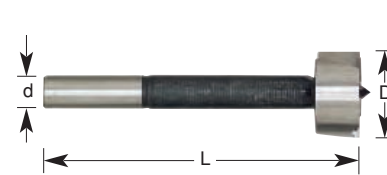
Unit Pack: Individually Carded

FORSTNER BITS BROCA FORSTNER

Especially designed to drill flat holes in soft and hardwoods using portable or stationary equipment.

Forstner Bits are good at drilling severe angles and for partial angled holes. All off-angled and overlapping holes cut with a forstner bit should be drilled on a drill press.

Finished hole will show a small center hole at the bottom of the hole.



ØD	Ød	L	Tool No.
1/4"	5/16"	3-1/2"	600-100
3/8"	5/16"	3-1/2"	600-110
1/2"	5/16"	3-1/2"	600-120
5/8"	5/16"	3-1/2"	600-130
3/4"	3/8"	3-1/2"	600-140
7/8"	3/8"	3-1/2"	600-150
1"	3/8"	3-1/2"	600-160
1-1/8"	3/8"	3-1/2"	600-170
1-1/4"	3/8"	3-1/2"	600-180
1-3/8"	3/8"	3-1/2"	600-190
35mm	3/8"	3-1/2"	600-200
1-1/2"	3/8"	3-1/2"	600-210
1-5/8"	3/8"	3-1/2"	600-220
1-3/4"	3/8"	3-1/2"	600-230
1-7/8"	3/8"	3-1/2"	600-240
2"	3/8"	3-1/2"	600-250
2-1/8"	3/8"	3-1/2"	600-260
Wooden Box Only			660-300

Unit Pack: Individually Carded

COIN SIZED FORSTNER BITS NEW BROCA FORSTNER MEDIDAS ESPECIALES PARA MONEDAS

HSS FORSTNER BITS

These high speed steel forstner bits were designed for the precise cutting holes to show off prize coins. Each size has razor sharp spurs for perfect cuts. Due to expansion and contraction of wood, coins should be secured with double face tape.



601-112
6pc. Carbide Tipped Set

ØD	Ød	Length	Size Coin	Tool No.
.764"	3/8"	4"	Penny	601-100
.849"	3/8"	4"	Nickle	601-102
.705"	3/8"	4"	Dime	601-104
.955"	3/8"	4"	Quarter	601-106
1.219"	3/8"	4"	Half Dollar	601-108
1.058"	3/8"	4"	Dollar	601-110
6pc. Set Includes All Sizes, Collar And Depth Control				601-112

SAW TOOTH FORSTNER BIT SET BROCA DENTADA FORSTNER PARA MADERA

Heavy duty plastic case holds each forstner bit securely for storage and transporting to work sites. All the popular sizes in one convenient case.



670-160
16pc. Hex Shank Set

Description	Tool No.
16 piece includes 1/4", 3/8", 1/2", 5/8", 3/4", 7/8", 1", 1-1/8", 1-1/4", 1-3/8", 1-1/2", 1-5/8", 1-3/4", 35MM, 2" & 2-1/8"	670-160

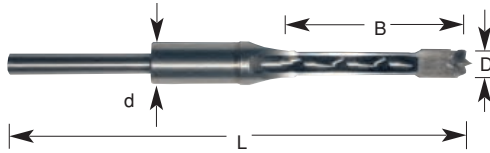
Unit Pack: Clamshell

MORTISING CHISELS & BITS
BROCA Y CINCEL PARA ESCOPLA

NEW
 ADDITIONAL SIZES

USED IN DRILL PRESS MORTISING ATTACHMENTS.

- Includes both square chisel & special drill bit



ØD	B	Ød	L	Tool No.
1/4"	1-7/8"	5/8"	8-1/4"	609-150
5/16"	2"	5/8"	8-1/4"	609-152
3/8"	3"	5/8"	8-1/4"	609-154
1/2"	3"	5/8"	8-1/4"	609-156
3/4"	3-5/8"	5/8"	8-1/4"	609-158
1/4"	1-3/4"	19MM(3/4")	8-1/4"	609-100
5/16"	1-3/4"	19MM(3/4")	8-1/4"	609-110
3/8"	2-7/8"	19MM(3/4")	8-1/4"	609-120
1/2"	2-7/8"	19MM(3/4")	8-1/4"	609-130
5/8"	2-7/8"	19MM(3/4")	8-1/4"	609-140

Unit Pack: Individually Boxed

SPADE BITS WITH SPURS
BROCA PLANA PARA PERFORACIONES EN MADERAS

NEW
 ADDITIONAL SIZES

1/4" SHANK • 6" AND 16" LONG

Precision ground and hardened steel spade bits for general purpose drilling of hard and softwoods and wood by-products. Great for plumbing and electrical contractors.



6" LONG		16" LONG	
ØD	Tool No.	ØD	Tool No.
1/4"	604-100	1/4"	604-810
5/16"	604-150	5/16"	604-815
3/8"	604-200	3/8"	604-820
7/16"	604-240	1/2"	604-830
1/2"	604-250	5/8"	604-840
5/8"	604-270	3/4"	604-850
9/16"	604-300	7/8"	604-860
11/16"	604-350	1"	604-870
3/4"	604-400		
13/16"	604-450		
7/8"	604-500		
15/16"	604-550		
1"	604-600		
26mm	604-610		
1-1/16"	604-620		
1-1/8"	604-650		
1-3/16"	604-680		
1-1/4"	604-700		
1-3/8"	604-730		
35mm	604-740		
1-1/2"	604-750		

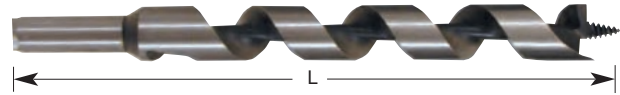


Unit Pack: Individually Carded
 Also available in quick release see page 48 and 49.

AUGER BITS

BROCA PARA MADERA PARA USO EN TALADRO ELECTRICO

Auger bits require little feed pressure because the threaded lead screw will put the bit into the cut. For deep holes the auger clears its chips well and the screw point prevents the bit from wandering. Great for plumbing and electrical contractors. Packaged in vinyl pouches.



9" LONG		18" LONG	
ØD	Tool No.	ØD	Tool No.
1/4"	605-100	3/8"	605-500
5/16"	605-110	1/2"	605-510
3/8"	605-120	9/16"	605-520
7/16"	605-130	5/8"	605-530
1/2"	605-140	11/16"	605-540
9/16"	605-150	3/4"	605-550
5/8"	605-160	13/16"	605-560
11/16"	605-170	7/8"	605-570
3/4"	605-180	15/16"	605-580
13/16"	605-190	1"	605-590
7/8"	605-200	1-1/8"	605-600
15/16"	605-210	1-1/4"	605-610
1"	605-220	1-3/8"	605-620
1-1/8"	605-230		
1-1/4"	605-240		
1-3/8"	605-250		

Unit Pack: Individual Vinyl Pouch
 Also available in quick release see page 49.

6 PIECE SPADE BIT SET

JUEGO-6 PZS.-BROCAS PLANAS DE PRECISION PARA MADERA



Description	Tool No.
6 piece spade bit set includes 3/8", 1/2", 5/8", 3/4", 7/8" & 1"	604-800

Unit Pack: Individual Vinyl Pouch

SPADE BIT EXTENSIONS

EXTENSION PARA BROCAS PLANAS

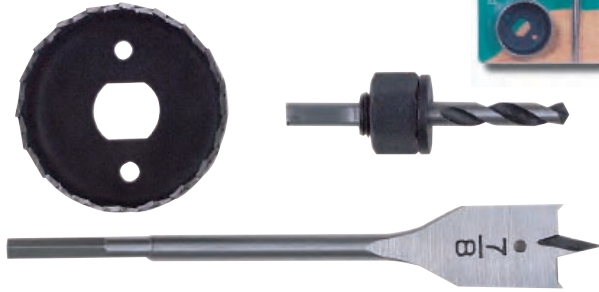


Description	Tool No.
6" spade bit extension, 1/4" shank	604-760
12" spade bit extension, 1/4" shank	604-770

Unit Pack: Individual Vinyl Pouch

LOCKSET INSTALLATION KITS JUEGO 3 PZS PARA INSTALACION DE CERRADURAS

Includes 2-1/8" hole saw with 3/8" shank arbor and either 7/8" or 1" spade bit. For installation of 2-1/8" locksets. Instructions included.



Description	Tool No.
3 piece kit with 7/8" spade bit	650-100
3 piece kit with 1" spade bit	650-200

Unit Pack: Individually Carded

BEVEL EDGE WOOD CHISEL SET JUEGO DE FORMONES

The bevel edge chisel sets are made of high carbon tool-steel and treated with black-oxide to prevent rust. Each chisel tip is hardened, tempered, ground and honed to a precision finish. Handles are made of high impact, polypropylene plastic. Overall length: 8"



No. 3380



No. 3370
Free oil Stone Sharpener
with 8-Piece Set

Description	Tool No.
3 Piece Set, includes 1/2", 3/4", 1" (clamshell packed)	3380
8 Piece Set, includes 1/8", 1/4", 3/8", 1/2", 5/8", 3/4", 1" (each plastic case)	3370

Made in Sheffield, England

THE WORKHORSE BROCA PARA MADERA CON AUTO-ALIMENTACION

NEW

DESIGNED FOR PLUMBERS AND ELECTRICIANS

Self feeding boring bits for plumbing and electrical contractors. Heat treated special steel alloy for maximum wear resistance with a replaceable feed screw that easily pull the bit through the material. Drills large diameter holes in wood for piping and conduit. Each bit includes allen wrench and extra feed screw.



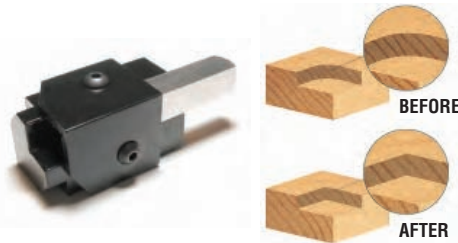
ØD	Rigid Conduit	Tubing	L	Repl. Screw	Tool No.
1"	1/2"	1/2"-3/4"	4-1/2"	500-20	600-350
1-1/8"	1/2"	1"	4-1/2"	500-20	600-352
1-1/4"	3/4"	1-1/8"	4-1/2"	500-20	600-354
1-3/8"	1-1/2"	1-1/4"	4-1/2"	500-20	600-356
1-3/4"	1-1/4"	1-1/2"	4-1/2"	500-20	600-360
2"	1-1/2"	1-7/8"	4-1/2"	500-20	600-362
2-9/16"	2"	2-1/2"	4-1/2"	500-20	600-368
3"	2-1/2"	2-7/8"	5-3/4"	500-22	600-370
3-5/8"	3"	3-1/2"	5-3/4"	500-22	600-372
5 piece set includes 1", 1-1/8", 2", 2-9/16", 3-5/8"					600-376
Wrench					500-40

Unit Pack: Individually Carded

CORNER CHISEL CORTADOR PARA BISAGRAS

NEW

Easily cuts 90° corners for fitting hinges. Simply line the straight edges of the cut & strike the edge with a hammer. It turns your rounded corner into a neat square corner. Precision ground high speed steel.



Description	Tool No.
1 Corner Chisel	3420

Unit Pack: Individually Carded

CARPENTER PENCILS LAPICES DE CARPINTEROS

Blister packed for hang-up display. Each package contains 6 pencils.

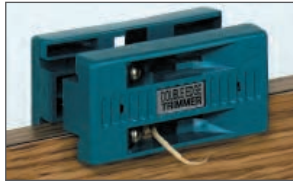


Description	Tool No.
6 Pencils	AL-200

Unit Pack: Individually Carded

DOUBLE EDGE LAMINATE/VENEER TRIMMER
CORTADORA DOBLE FILO PARA TAPACANTOS

Very useful shop tool for bevel trimming all types of thin laminates, thin veneers and edgbanding. Will bevel trim both top and bottom of material ranging from 1/2" to 1" thick. Features include adjustable and replaceable steel knives.



Description	Tool No.
1 Double Edge Trimmer	3400

Unit Pack: Individually Carded

Replacement Parts:

Tool No.	Description
3402	6 Piece Replacement Knife Set

END TRIMMER
RETESTADOR DE CANTOS

NEW

For trimming excess material from the end of panels. The result is high-quality cuts on all corners of the board. Features include two High Speed Steel blades (upper and lower).



Description	Tool No.
1 End Trimmer	3410

Unit Pack: Individually Carded

Replacement Parts:

Tool No.	Description
3412	2 Piece Replacement Blade Set

SCORING TOOL - DUAL CARBIDE TIPPED
MARCADOR CON DOBLE FILO DE CARBURO

- Dual carbide tipped
- Reversible blade (stored in the handle)
- Three scoring tips, two for cutting/scoring and the third for chiseling
- Re-sharpenable carbide tips



Description	Tool No.
1 Scoring Tool	3500

Minimum order: 10 pcs.

Unit Pack: Individually Carded

STEEL HAND SCRAPERS
RASPADORES PARA MADERA

5" X 2-1/2" • SET OF 3

Contains three scrapers, one each of three different thicknesses. Used for wood and glue scraping, etc. To sharpen, use a hard steel burnisher on the edge(s).



Description	Tool No.
Set of 3	4009

Unit Pack: Individually Carded

DOUBLE EDGE WALLBOARD
SERRUCHO CON DOBLE FILO PARA TABLA DE YESO

NEW

General purpose wallboard saw for cutting sheetrock, gypsum board, etc. Saw features a 6" long pointed blade for plunge-type cuts and close-quarter work. Textured rubber grip handle with built-in hang hole. 12" overall length. Skin-packed for hanging display.



Description	Tool No.
1 Wallboard Saw	1014

Minimum order: 10 pcs.

Unit Pack: Individually Carded

DIAMOND HONES
PIEDRA DE DIAMANTE PARA AFILAR

NEW

QUICK & EASY SHARPENING

Diamond Hones on plastic handles for quick and easy handling. These hones are great for quick sharpening of router bits, shaper cutters, saw blades, chisels and knives.

Sharpening surface is 3/4" wide by 2" long with tapered leading edge for difficult-to-reach areas. Excellent for sharpening carbide, high speed steel (HSS) and tool steel.



Color	Grit	L	Tool No.
Green	200 Coarse	6-1/4"	4013
Yellow	400 Medium	6-1/4"	4014
Red	600 Fine	6-1/4"	4015
Blue	1200 Super Fine	6-1/4"	4016
4 Pc. Set of 1 each			4012

Unit Pack: Individually Carded



deburring system

These tools are excellent for scraping, deburring and reaming. All tools have solid carbide replacement blades.



EDGE OFF SET JUEGO DE REBABEADORES

NEW

THE MOST ECONOMICAL SET

Set includes:

- EO handle + S10 heavy duty blade for aluminum (green sleeve)
- EO handle + S20 blade for brass and Cast Iron (red sleeve)
- EO handle + S100 blade for steel (blue sleeve)
- EO handle + S150 blade for plastic (yellow sleeve)



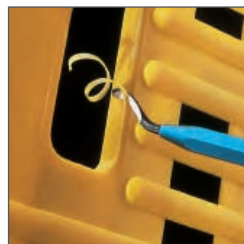
Description	Tool No.
Edge Off Plastic Set	EO2100

Unit Pack: Clamshell

EDGE OFF REBABEADOR DESECHABLE

NEW

Disposable tool for removing burrs from steel, aluminum and plastic. A handy pocket clip is a standard feature of this tool. Includes: heavy duty S10 blade mounted in an 8mm painted hexagonal aluminum handle.



Description	Tool No.
Edge Off	EO1000

Unit Pack: Individually Carded

CARBIDE DEBURRING TOOLS REBABEADORES EN CARBURO

NEW

HEAVY DUTY NOGA BURR 3 – NG1003

The best tool for removing burrs from steel, aluminum and plastic! Will do almost all of your deburring jobs. Easy and fast replacement of blades, stored inside the handle. Includes one each: NG-1 handle, heavy duty S10, S20 and S35 blades.



LIGHT DUTY MAGIC BURR 2 – NG2002

Will do almost all of your deburring jobs. Includes one each: Noga Grip 2 handle, with light duty N1 and N2 blades.



Description	Type	Blades Included	Tool No.
Noga Burr 3	Heavy Duty	S10, S20 & S35	NG1003
Magic Burr 2	Light Duty	N1 & N2	NG2002

Unit Pack: Individually Carded

CARBIDE DEBURRING SETS JUEGOS DE REBABEADORES EN CARBURO

LIGHT DUTY N PROMO SET – NG8000

Deburs: Steel, aluminum and plastic. Set includes: Noga Grip 2 handle and 10pcs. of light duty N1 blades.



NG 8000

HEAVY DUTY S PROMO SET – NG8150

Deburs: Steel, aluminum and plastic. Set Includes: Noga Grip 1 handle and 10pcs. of heavy duty S10 blades.



NG 8150

Description	Tool No.
N Promo Set holds all "N" light duty (2.6mm) blades	NG8000
S Promo Set holds all "S" heavy duty (3.2mm) blades	NG8150

Unit Pack: Individually Carded

RAPID BURR REBABEADOR RAPID-BURR

NEW

Ideal for removing burrs from steel, aluminum and plastic. Steel housing for long handle life. Blade is replaceable. Includes: 12mm hexagonal painted handle with heavy duty S10 blade.



Description	Tool No.
Rapid Burr	RB1000

Unit Pack: Individually Carded

SAFETY GLASSES
LENTES INDUSTRIALES DE SEGURIDAD

NEW

INDUSTRIAL

- Polycarbonate lenses to resist impact
- U.V. protection
- Hard coated plastic frames with adjustable temples in length



SG-001*



SG-004*



SG-002*



SG-005*



SG-003*



SG-006*

*Meets requirements of ANSI-Z87.1

Description	Tool No.
Black Frame	SG-001
Clear Frame	SG-002
Clear Frame Black Ear Pieces	SG-003
Clear Frame	SG-004
Clear Frame Black Ear Pieces	SG-005
Black Frame	SG-006

Min: 10 pieces per box

Unit Pack: Individual Poly Bag with a Header Card

HEARING PROTECTION HEADSETS
AURICULAR INDUSTRIAL PARA PROTECCION AUDITIVA

NEW

INDUSTRIAL



SH-001



SH-002



SH-003

Description	Rating	Tool No.
Black Hearing Cups	NRR=26dB	SH-001
Yellow Hearing Cups	NRR=25dB	SH-002
Gray Hearing Cups	NRR=31dB	SH-003

Unit Pack: Individual Poly Bag with a Header Card

LANYARD FOR SAFETY GLASSES
CORDON PARA LENTES DE SEGURIDAD

NEW

INDUSTRIAL



Description	Tool No.
Black	SC-001
Green	SC-002

Unit Pack: Individual Poly Bag with a Header Card

SILICONE EAR PLUGS
TAPONES INDUSTRIALES DE SILICONA PARA OIDOS

NEW

INDUSTRIAL



Description	Tool No.
Silicone Ear Plugs	SE-001

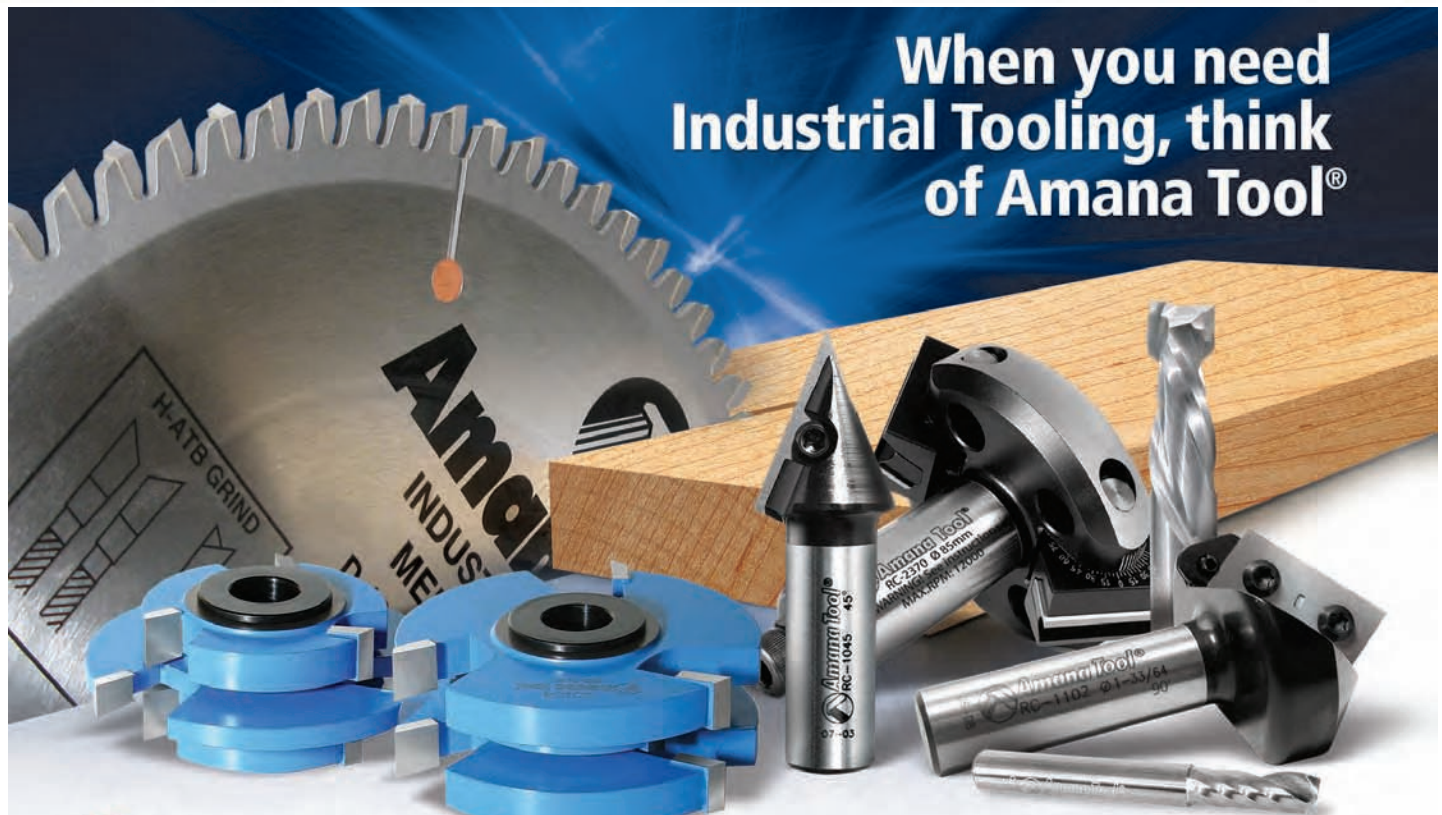
Unit Pack: Poly Bag with a Header Card — 5 pairs per bag

CONVERSION TABLE
 TABLA DE CONVERSIÓN

Inch Decimals	Inch Fractions (x)						MM	Millimeters				
	/64	/32	/16	/8	/4	/2		1" + (x)	2" + (x)	3" + (x)	4" + (x)	5" + (x)
0.015625	1/64						0.397	25.400	50.800	76.200	101.600	127.000
0.031250		1/32					0.794	25.797	51.197	76.597	101.997	127.397
0.046875	3/64						1.191	26.194	51.595	76.994	102.394	127.794
0.062500			1/16				1.588	26.591	51.991	77.391	102.791	128.191
0.078125	5/64						1.984	26.988	52.388	77.788	103.188	128.588
0.093750		3/32					2.381	27.384	52.784	78.184	103.584	128.984
0.109375	7/64						2.778	27.781	53.181	78.581	103.981	129.381
0.125000				1/8			3.175	28.178	53.578	78.978	104.378	129.778
0.140625	9/64						3.572	28.575	53.975	79.375	104.775	130.175
0.156250		5/32					3.969	28.972	54.372	79.772	105.172	130.572
0.171875	11/64						4.366	29.369	54.769	80.169	105.569	130.969
0.187500			3/16				4.762	29.766	55.166	80.568	105.966	131.366
0.203125	13/64						5.159	30.162	55.562	80.962	106.362	131.762
0.218750		7/32					5.556	30.559	55.959	81.359	106.759	132.159
0.234375	15/64						5.953	30.956	56.356	81.756	107.156	132.556
0.250000					1/4		6.350	31.353	56.753	82.153	107.553	132.953
0.265625	17/64						6.747	31.750	57.150	82.550	107.950	133.350
0.281250		9/32					7.144	32.544	57.547	82.947	108.347	133.747
0.296875	19/64						7.541	32.941	57.944	83.344	108.744	134.144
0.312500			5/16				7.938	32.941	58.341	83.741	109.141	134.541
0.328125	21/64						8.334	33.338	58.738	84.138	109.538	134.938
0.343750		11/32					8.731	33.734	59.134	84.534	109.934	135.334
0.359375	23/64						9.128	34.131	59.531	84.931	110.331	135.731
0.375000				3/8			9.526	34.528	59.928	85.328	110.728	136.128
0.390625	25/64						9.922	34.925	60.325	85.725	111.125	136.525
0.406250		13/32					10.319	35.322	60.722	86.122	111.522	136.922
0.421875	27/64						10.716	35.719	61.119	86.519	111.919	137.319
0.437500			7/16				11.112	36.116	61.516	86.916	112.316	137.716
0.453125	29/64						11.509	36.512	61.912	87.312	112.712	138.112
0.468750		15/32					11.906	36.909	62.309	87.709	113.109	138.509
0.484375	31/64						12.303	37.306	62.706	88.106	113.506	138.906
0.500000						1/2	12.700	37.703	63.103	88.503	113.903	139.303
0.515625	33/64						13.097	38.100	63.500	88.900	114.300	139.700
0.531250		17/32					13.494	38.497	63.897	89.297	114.697	140.097
0.546875	35/64						13.891	38.894	64.294	89.694	115.094	140.494
0.562500		9/16					14.288	39.291	64.691	90.091	115.491	140.891
0.578125	37/64						14.684	39.688	65.088	90.488	115.888	141.288
0.593750		19/32					15.081	40.084	65.484	90.884	116.284	141.684
0.609375	39/64						15.478	40.481	65.881	91.281	116.681	142.081
0.625000				5/8			15.875	40.878	66.278	91.678	117.078	142.478
0.640625	41/64						16.272	41.275	66.675	92.075	117.475	142.875
0.656250		21/32					16.669	41.672	67.072	92.472	117.872	143.272
0.671875	43/64						17.066	42.069	67.469	92.869	118.269	143.669
0.687500			11/16				17.462	42.466	67.866	93.266	118.666	144.066
0.703125	45/64						17.859	42.862	68.262	93.662	119.062	144.462
0.718750		23/32					18.256	43.259	68.659	94.059	119.459	144.859
0.734375	47/64						18.653	43.656	69.056	94.456	119.856	145.256
0.750000					3/4		19.050	44.053	69.453	94.853	120.253	145.653
0.765625	49/64						19.447	44.450	69.850	95.250	120.650	146.050
0.781250		25/32					19.844	44.847	70.247	95.647	121.047	146.447
0.796875	51/64						20.241	45.244	70.644	96.044	121.444	146.844
0.812500			13/16				20.638	45.641	71.041	96.441	121.841	147.241
0.828125	53/64						21.034	46.038	71.438	96.838	122.238	147.638
0.843750		27/32					21.431	46.434	71.834	97.234	122.634	148.034
0.859375	55/64						21.828	46.831	72.231	97.631	123.031	148.431
0.875000				7/8			22.225	47.228	72.628	98.028	123.428	148.828
0.890625	57/64						22.622	47.625	73.025	98.425	123.825	149.225
0.906250		29/32					23.019	48.022	73.422	98.822	124.222	149.622
0.921875	59/64						23.416	48.419	73.819	99.219	124.619	150.019
0.937500			15/16				23.812	48.816	74.216	99.616	125.016	150.416
0.953125	61/64						24.209	49.212	74.612	100.012	125.412	150.812
0.968750		31/32					24.606	49.609	75.009	100.409	125.809	151.209
0.984375	63/64						25.003	50.000	75.406	100.806	126.206	151.606
								50.403	75.803	101.203	126.603	152.003

INDEX
 ÍNDICE

ITEM NO.	PAGE	ITEM NO.	PAGE	ITEM NO.	PAGE	ITEM NO.	PAGE	ITEM NO.	PAGE	ITEM NO.	PAGE
601-108	..54	604-100	..55	606-116	..43	608-176	..46	608-562	..49	608-731	..52
601-110	..54	604-150	..55	606-117	..43	608-178	..46	608-563	..49	608-732	..52
601-112	..54	604-200	..55	606-118	..43	608-180	..46	608-564	..49	608-733	..52
601-300	..38,39	604-240	..55	606-120	..43	608-200	..45	608-566	..49	608-736	..52
601-302	..38,39	604-250	..55	606-122	..43	608-202	..45	608-567	..49	608-750	..47
601-304	..38,39	604-270	..55	606-123	..43	608-204	..45	608-568	..49	608-751	..47
601-306	..38	604-300	..55	606-124	..43	608-206	..45	608-570	..49	608-752	..47
601-308	..38	604-350	..55	606-125	..43	608-208	..45	608-571	..49	608-753	..47
601-310	..38,39	604-400	..55	606-126	..43	608-210	..45	608-572	..49	608-754	..47
601-312	..38,39	604-450	..55	606-128	..43	608-212	..45	608-574	..49	608-755	..47
601-314	..38	604-500	..55	606-130	..43	608-214	..45	608-576	..49	608-760	..47
601-320	..38	604-550	..55	606-132	..43	608-216	..45	608-578	..49	608-761	..47
601-330	..38	604-600	..55	606-133	..43	608-218	..45	608-600	..50	608-762	..47
601-332	..38	604-610	..55	606-134	..43	608-220	..45	608-602	..50	608-763	..47
601-340	..39	604-620	..55	606-136	..43	608-250	..46	608-604	..50	608-764	..47
601-342	..39	604-650	..55	606-138	..43	608-251	..46	608-605	..50	608-765	..47
601-344	..39	604-680	..55	606-140	..43	608-252	..46	608-606	..50	608-780	..43
601-346	..39	604-700	..55	606-142	..43	608-254	..46	608-608	..50	608-782	..43
601-348	..39	604-730	..55	606-144	..43	608-256	..46	608-609	..50	608-784	..43
601-350	..39	604-740	..55	606-146	..43	608-258	..46	608-610	..50	608-800	..50
601-352	..39	604-750	..55	606-148	..43	608-260	..45	608-612	..50	608-801	..50
601-354	..39	604-760	..55	606-150	..43	608-262	..45	608-614	..50	608-802	..50
601-358	..39	604-770	..55	606-152	..43	608-264	..45	608-616	..50	608-803	..50
601-360	..39	604-800	..55	606-154	..43	608-266	..45	608-620	..52	609-100	..55
601-362	..39	604-810	..55	606-156	..43	608-268	..45	608-622	..52	609-110	..55
601-364	..39	604-815	..55	606-158	..43	608-270	..45	608-623	..52	609-120	..55
601-366	..39	604-820	..55	606-160	..43	608-272	..45	608-630	..50	609-130	..55
602-100	..44	604-830	..55	606-162	..43	608-274	..45	608-632	..50	609-140	..55
602-102	..44	604-840	..55	606-164	..43	608-276	..45	608-633	..50	609-150	..55
602-104	..44	604-850	..55	606-170	..41	608-278	..45	608-634	..50	609-152	..55
602-106	..44	604-860	..55	606-172	..41	608-290	..47	608-635	..50	609-154	..55
602-108	..44	604-870	..55	606-174	..41	608-292	..47	608-636	..50	609-156	..55
602-110	..44	604-880	..49	606-176	..41	608-294	..47	608-637	..50	609-158	..55
602-112	..44	604-890	..49	606-178	..41	608-296	..47	608-639	..50	610-102	..41
602-114	..44	604-900	..49	606-180	..41	608-298	..47	608-640	..50	610-104	..41
602-116	..44	604-910	..49	606-182	..41	608-300	..47	608-642	..50	610-106	..41
602-118	..44	604-920	..49	606-184	..41	608-302	..47	608-644	..50	610-108	..41
602-120	..44	604-930	..49	606-186	..41	608-304	..47	608-646	..50	610-110	..41
602-126	..44	604-932	..49	606-190	..41	608-340	..49	608-650	..52	610-112	..41
602-128	..44	604-934	..49	606-200	..43	608-350	..49	608-652	..52	610-114	..41
602-130	..44	605-100	..55	607-100	..53	608-360	..49	608-654	..52	610-116	..41
602-132	..44	605-110	..55	607-110	..53	608-370	..49	608-660	..51	610-118	..41
602-134	..44	605-120	..55	607-120	..53	608-380	..49	608-662	..51	610-120	..41
602-136	..44	605-130	..55	607-130	..53	608-390	..49	608-664	..51	610-122	..41
602-138	..44	605-140	..55	607-300	..53	608-398	..48	608-670	..51	610-126	..41
602-140	..44	605-150	..55	607-310	..53	608-399	..48	608-671	..51	610-128	..41
602-142	..44	605-160	..55	607-320	..53	608-400	..48	608-672	..51	610-130	..41
602-144	..44	605-170	..55	607-330	..53	608-402	..48	608-673	..51	610-132	..41
602-146	..44	605-180	..55	607-500	..53	608-410	..48	608-674	..51	610-134	..41
602-148	..44	605-190	..55	608-100	..45	608-412	..48	608-675	..51	610-500 to 610-520	..41
602-150	..44	605-200	..55	608-102	..49	608-420	..48	608-676	..51	610-602 to 610-634	..41
602-152	..44	605-210	..55	608-104	..44	608-422	..48	608-677	..51	610-700 to 610-720	..41
602-154	..44	605-220	..55	608-110	..46	608-430	..48	608-678	..51	611-100 to 611-168	..42
602-156	..44	605-230	..55	608-112	..46	608-432	..48	608-690	..50	611-200 to 611-230	..42
602-158	..44	605-240	..55	608-114	..46	608-440	..48	608-691	..50	611-500 to 611-568	..42
602-160	..44	605-250	..55	608-116	..46	608-442	..48	608-700	..51	613-100 to 613-196	..40
602-162	..44	605-500	..55	608-118	..46	608-450	..48	608-701	..51	613-200 to 613-284	..40
602-164	..44	605-510	..55	608-120	..46	608-460	..48	608-702	..51	613-400 to 613-496	..40
602-166	..44	605-520	..55	608-122	..46	608-470	..48	608-703	..51	620-120	..53
602-168	..44	605-530	..55	608-124	..44	608-480	..48	608-704	..51	620-150	..53
602-170	..44	605-540	..55	608-130	..46	608-490	..48	608-705	..51	620-180	..53
602-172	..44	605-550	..55	608-132	..46	608-500	..48	608-706	..51	620-200	..53
602-174	..44	605-560	..55	608-134	..46	608-502	..48	608-707	..51	620-220	..53
602-176	..44	605-570	..55	608-136	..46	608-504	..48	608-708	..51	620-250	..53
602-178	..44	605-580	..55	608-138	..46	608-510	..48	608-709	..51	620-260	..53
602-180	..44	605-590	..55	608-140	..46	608-512	..48	608-710	..51	620-300	..53
602-182	..44	605-600	..55	608-142	..46	608-520	..47	608-711	..51	620-350	..53
602-184	..44	605-610	..55	608-144	..46	608-522	..47	608-712	..51	630-100 to 630-702	..53
602-186	..44	605-620	..55	608-146	..46	608-524	..47	608-713	..51	640-100 to 640-170	..37
602-188	..44	606-100	..43	608-148	..46	608-526	..47	608-714	..51	640-200 to 640-270	..37
602-200	..44	606-102	..43	608-150	..45	608-530 to 608-532	..52	608-715	..51	640-300 to 640-370	..37
602-202	..44	606-104	..43	608-152	..45	608-550	..47	608-716	..51	650-100, 650-200	..56
602-330	..44	606-106	..43	608-160	..47	608-552	..47	608-717	..51	660-100 to 660-500	..54
602-332	..44	606-108	..43	608-162	..47	608-554	..47	608-718	..51	670-160	..54
602-334	..44	606-110	..43	608-170	..46	608-556	..48	608-719	..51	680-240	..27
602-336	..44	606-112	..43	608-172	..46	608-558	..48	608-720	..51	800-240	..36
602-338	..44	606-114	..43	608-174	..46	608-560	..49	608-721	..51		



When you need
Industrial Tooling, think
of Amana Tool®



TEL: 1-800-445-0077 • 1-631-752-1300 FAX: 1-631-752-1674
VISIT US ONLINE: www.amanatool.com EMAIL: tools@amanatool.com



**Timberline®**

Timberline® Headquarters

120 Carolyn Boulevard
Farmingdale, New York 11735 USA

Phone: +1-631-752-1300

Toll-Free Phone: 800-445-0077

Fax: +1-631-752-1674

Toll-Free Fax: 877-676-0077 (orders only)

Website: www.timberline-amana.com

Email: tools@amanatool.com

Timberline® / West Coast

2030 Gillespie Way - Suite 109
El Cajon, California 92020 USA

Phone: +1-619-596-8590

Toll-Free Phone: 800-472-6226

Fax: +1-619-596-8599

Toll-Free Fax: 888-355-8599 (orders only)

Dealer

\$4.95



Form# TL-1-09

a Professional Brand of  **Amana Tool®**